

Model : HST21

Open loop split core type, Sub-plate installation.
Detect DC, AC and pulse current.

Technical indicators:

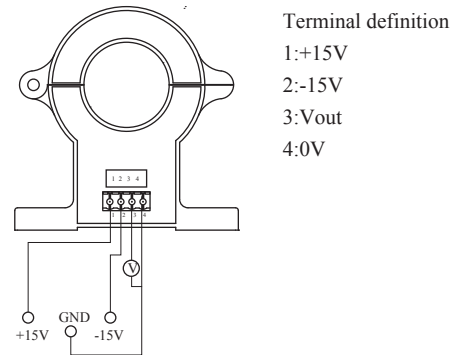
- Flame resistance: UL94-V0
- Working temperature: -10~+70°C
- Storage temperature: -40~+85°C
- Bandwidth: DC~25kHz
- Dielectric strength: 2.5KV 50Hz 1min



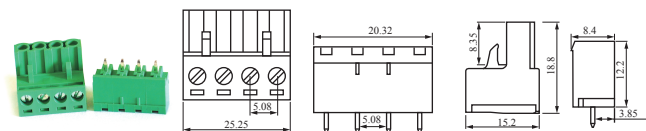
Electrical parameters:

I_p	Rated input	± 400	A
I_{PM}	Input measured range	± 1000	A
V_{OUT}	Rated output	± 4	V
X	Accuracy	1	%
\mathcal{E}_L	Linearity	< 0.1	%
V_C	Supply voltage($\pm 5\%$)	± 15	V
I_C	Current consumption	± 15	mA
R_L	Load impedance	$\geq 10K$	Ω
V_{OE}	Zero offset TA=25°C	$\leq \pm 15$	mV
T_R	Response time	< 3	μs
N.W	Weight	72	g

Connection diagram:



Connector schematic diagram:



Terminal connector, Distance 5.08, Stitch size 1x1

Dimensions (in mm) :

