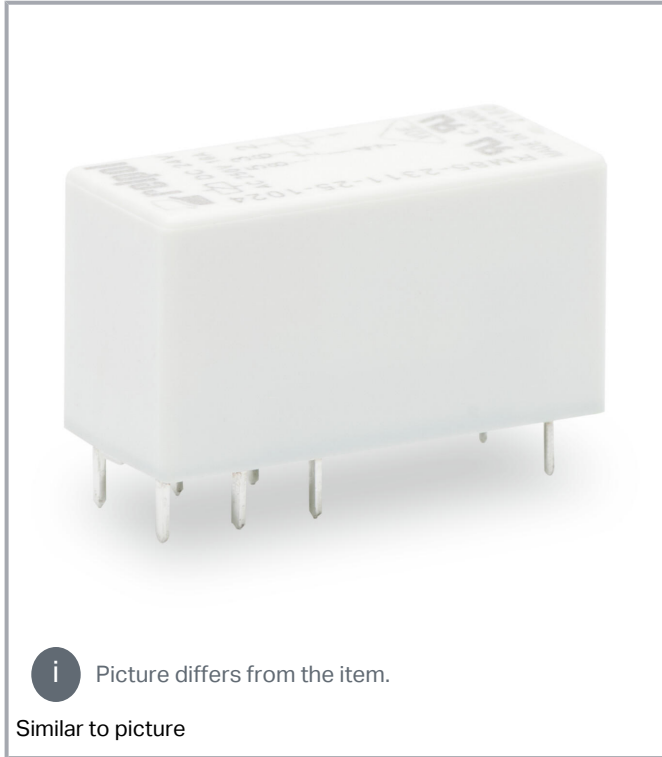


Data sheet | Item number: 788-177

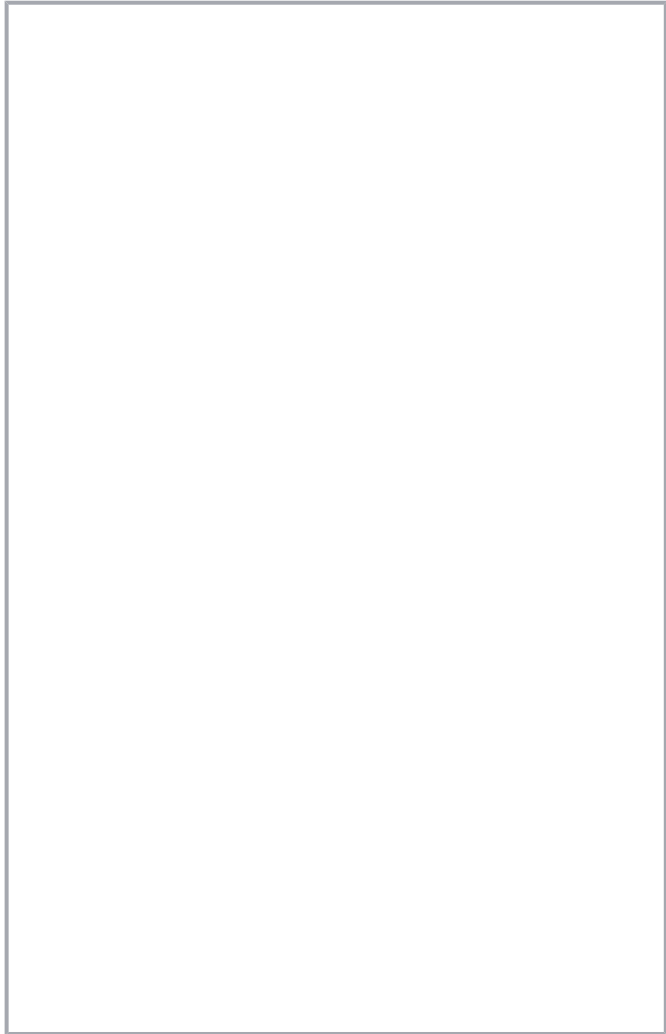
Basic relay; Nominal input voltage: 115 VAC; 2 changeover contacts; Limiting continuous current: 8 A; with gold contacts; Module width: 13 mm; Module height: 15 mm

www.wago.com/788-177



 Picture differs from the item.

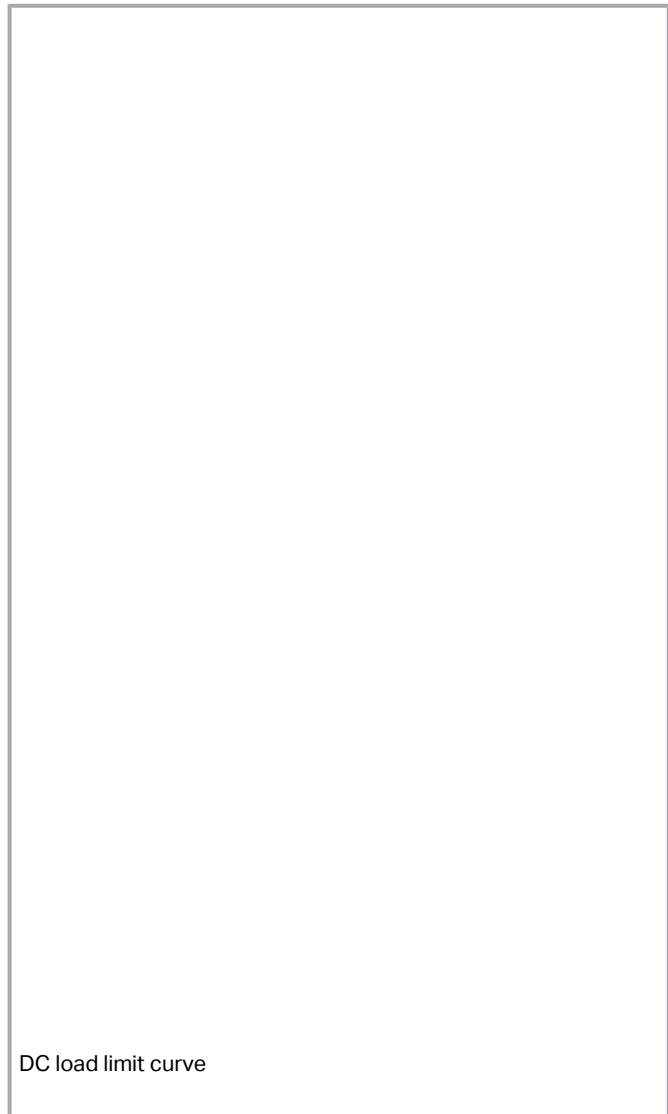
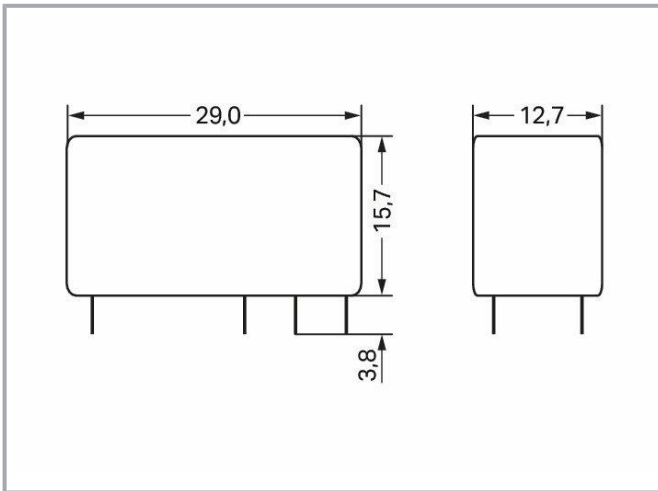
Similar to picture



Subject to changes. Please also observe the further product documentation!

WAGO Kontakttechnik GmbH & Co. KG
Hansastr. 27
32423 Minden
Phone: +49571 887-0 | Fax: +49571 887-169
Email: info.de@wago.com | Web: www.wago.com

Do you have any questions about our products?
We are always happy to take your call at +49 (571) 887-44222.



**Data
Notes**

Note

To prevent damaging the gold layer, 30 VDC switching voltages and 50 mA currents must not be exceeded. Higher switching power eventually evaporates the gold layer. The resulting deposits in the housing may reduce service life.

Technical data

Subject to changes. Please also observe the further product documentation!

WAGO Kontakttechnik GmbH & Co. KG
Hansastr. 27
32423 Minden
Phone: +49571 887-0 | Fax: +49571 887-169
Email: info.de@wago.com | Web: www.wago.com

Do you have any questions about our products?
We are always happy to take your call at +49 (571) 887-44222.

Control circuit

| | |
|-----------------------------|----------|
| Nominal input voltage U_N | AC 115 V |
|-----------------------------|----------|

Load circuit

| | |
|---|---|
| Number of changeover/switchover contacts | 2 |
| Contact material (relay) | AgNi + Au |
| Limiting continuous current | 8 A |
| Switching voltage (max.) | AC 250 V |
| Switching power (resistive) (max.) | AC 2000 VA; DC (see load limit curve) |
| Switching capacity | AC-15: 3 A / AC 250 V; DC-13: 2 A / DC 24 V |
| Recommended minimum load | 5 V / 2 mA / 50 mW |
| Pull-in time (typ.) | 7 ms |
| Drop-out time (typ.) | 3 ms |
| Electrical life (NO; resistive load; 23 °C) | 10×10^3 switching operations |
| Mechanical life | 30×10^6 switching operations |

Safety and protection

| | |
|---|-----------|
| Dielectric strength, control/load circuit (AC, 1 min) | 5 kVrms |
| Dielectric strength, open contact (AC, 1 min) | 1 kVrms |
| Dielectric strength, load/load circuit (AC, 1 min) | 2.5 kVrms |
| Protection type | IP40 |

Physical data

| | |
|-------------------------|----------------------|
| Width | 12.7 mm / 0.5 inch |
| Height from the surface | 15.7 mm / 0.618 inch |
| Depth | 29 mm / 1.142 inch |

Mechanical data

| | |
|---------------|------------------|
| Mounting type | Pluggable module |
|---------------|------------------|

Material data

| | |
|--------|--------|
| Weight | 12.6 g |
|--------|--------|

Subject to changes. Please also observe the further product documentation!

Environmental requirements

| | |
|---|---------------|
| Surrounding air temperature (operation at U_N) | -40 ... 70 °C |
| Surrounding air temperature (storage) | -40 ... 85 °C |

Standards and specifications

| | |
|--------------------------|------------|
| Standards/Specifications | EN 61810-1 |
|--------------------------|------------|

Commercial data

| | |
|-----------------------|---------------------------|
| Product Group | 6 (Interface Electronics) |
| PU (SPU) | 20 Each |
| Packaging type | box |
| Country of origin | DE |
| GTIN | 4050821867890 |
| Customs tariff number | 85364900990 |

Optional accessories

Sockets

| |
|----------------------|
| Socket without relay |
|----------------------|



Item no.: 788-102

Relay socket; 2 changeover contacts; for 15 mm basic relays; gray

www.wago.com/788-102

Downloads

Documentation

Bid Text

| | | | |
|-------------------------|--------------|-----------------|----------|
| 788-177 docx - Datei | 2019. 2. 20. | docx 17.3 kB | Download |
| 788-177 X81 - Datei | 2019. 2. 19. | xml 4.1 kB | Download |

Additional Information

| | | | |
|--|---------|-----------------|----------|
| Disposal; Electrical and electronic equipment, Packaging | V 1.0.0 | pdf 265.8 kB | Download |
|--|---------|-----------------|----------|

Subject to changes. Please also observe the further product documentation!



CAD/CAE-Data

CAE data

| WSCAD Universe 788-177 | URL | Download |
|------------------------|-----|----------|
|------------------------|-----|----------|

Environmental Product Compliance

Compliance Search

| Environmental Product Compliance 788-177 | URL | Download |
|--|-----|----------|
|--|-----|----------|

Basic relay; Nominal input voltage: 115 VAC; 2 changeover contacts; Limiting continuous current: 8 A; with gold contacts; Module width: 13 mm; Module height: 15 mm

Installation Notes

Subject to changes. Please also observe the further product documentation!