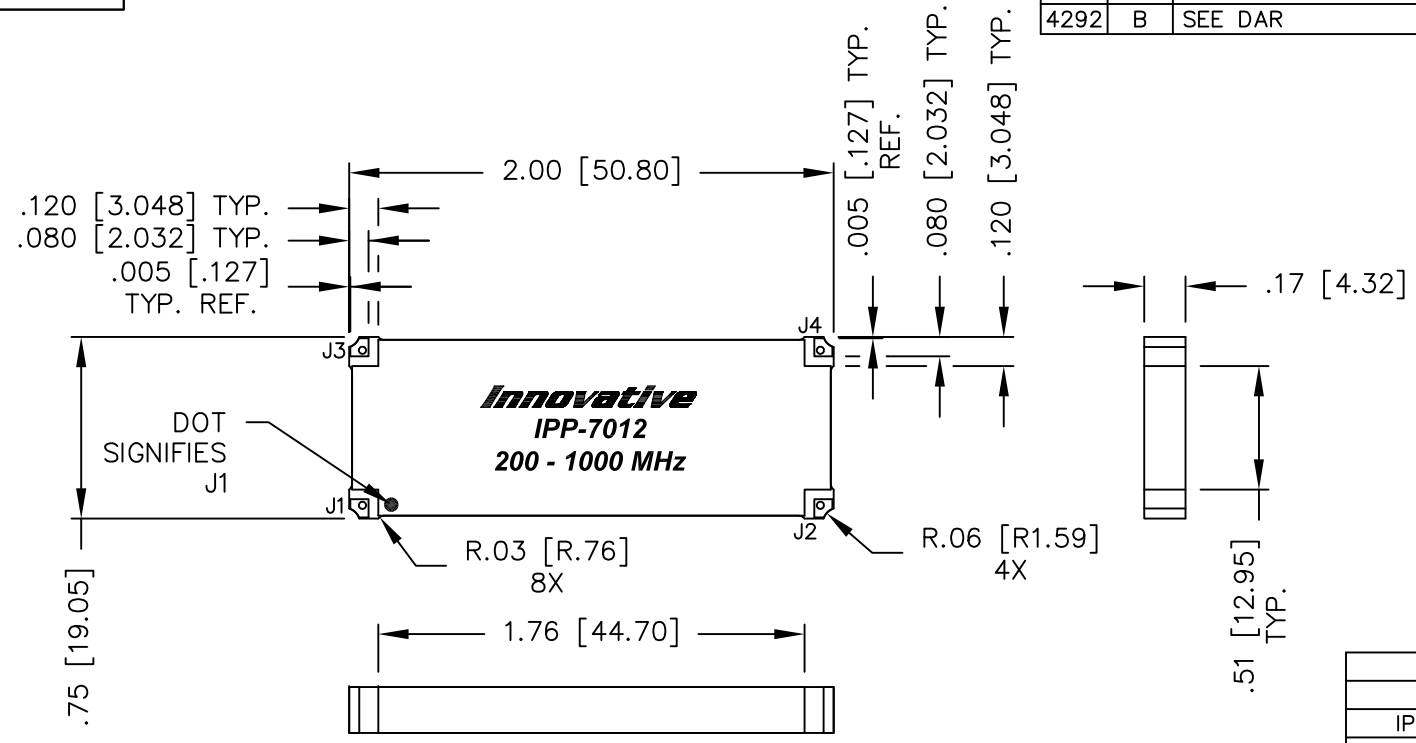


UNAUTHORIZED USE OF THIS
DRAWING IS STRICTLY PROHIBITED

DAR	REV	DESCRIPTION	APPVD	DATE
1904	A	INITIAL RELEASE	DG	6-09
4292	B	SEE DAR	DG	5-13



FINISH	
P/N	TYPE
IPP-7012	TIN/LEAD
IPP-7012RT	RoHS MATTE TIN
IPP-7012RG	RoHS NICKEL GOLD

- NOTES:**
1. SEE SMD COUPLER APPLICATION NOTE FOR FURTHER INFORMATION.
 2. PARTS WITH RoHS MATTE TIN AND RoHS NICKEL GOLD FINISHES ARE RoHS COMPLIANT.
 3. AVAILABLE IN TAPE AND REEL. SEE SMD COUPLER APPLICATION NOTE FOR FURTHER INFORMATION.

ELECTRICAL SPECIFICATIONS

FREQUENCY: 200 - 1000 MHz.
 INSERTION LOSS: <0.60 dB
 VSWR: <1.30:1
 ISOLATION: >16dB
 AMPLITUDE BALANCE: ±0.8dB
 PHASE BALANCE: ±5°
 POWER: 150 WATT
 TEMPERATURE: -55°C TO 85°C

PORT CONFIGURATION				
INPUT	J1	J2	J3	J4
J1	---	ISOLATION	-3dB<0 DEG	-3dB<-90 DEG
J2	ISOLATION	---	-3dB<-90 DEG	-3dB<0 DEG
J3	-3dB<0 DEG	-3dB<-90 DEG	---	ISOLATION
J4	-3dB<-90 DEG	-3dB<0 DEG	ISOLATION	---

MATERIAL	DWN DG	DATE 3-09	Innovative <i>Power</i> Products		
FINISH SEE CHART	ENG TJD	DATE 3-09			
TOLERANCE	CAGE CODE: 437R2		TITLE OUTLINE		
IN [MM]	SHEET OF 1 1		SMD COUPLER, 90°, 200 - 1000 MHz. 150W		
.XX ±.02 [.50] .XXX ±.010 [.254] ANG. ±1/2°	SCALE 2:1	REV. B	SIZE B	P/N IPP-7012*	REV. B