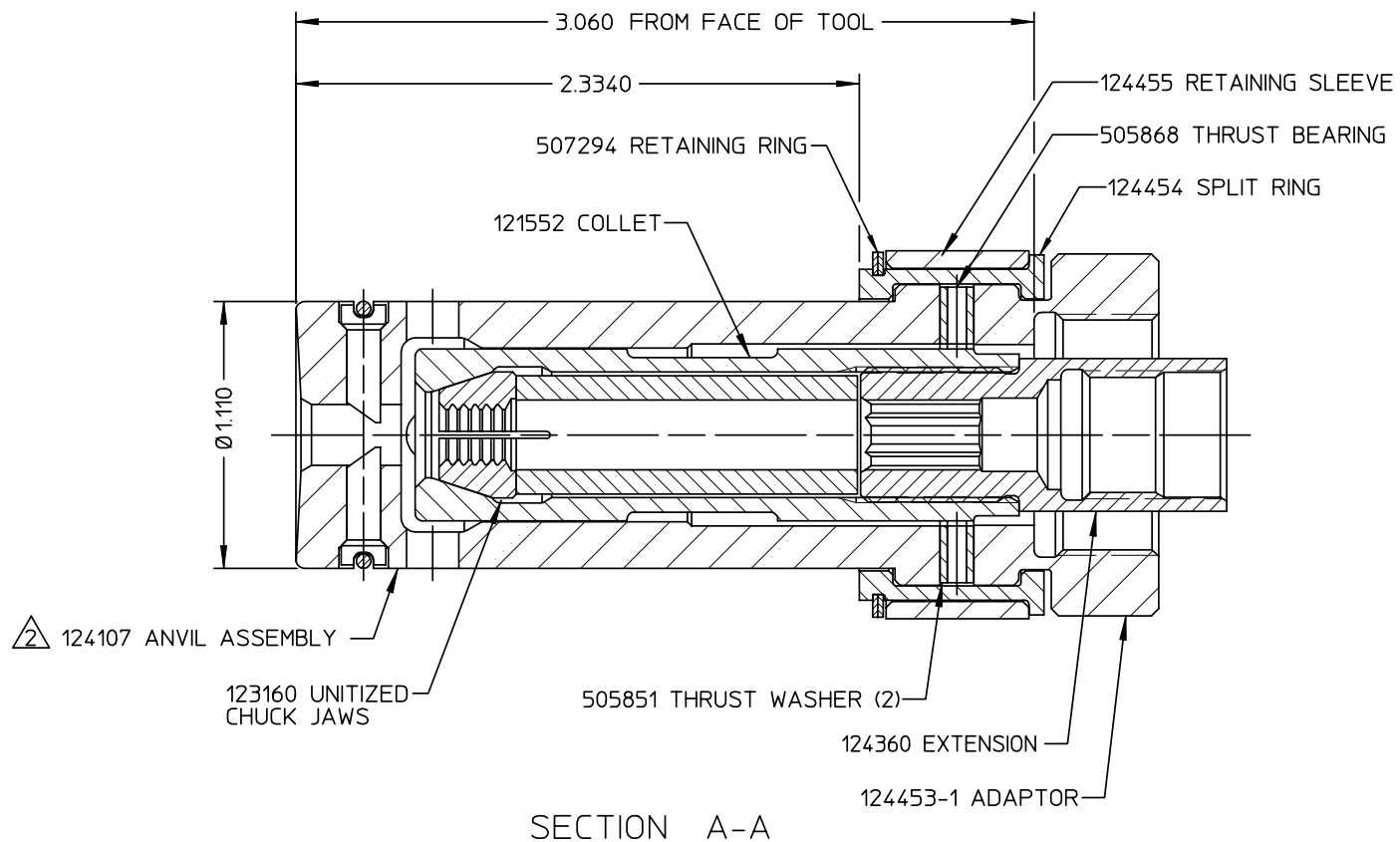
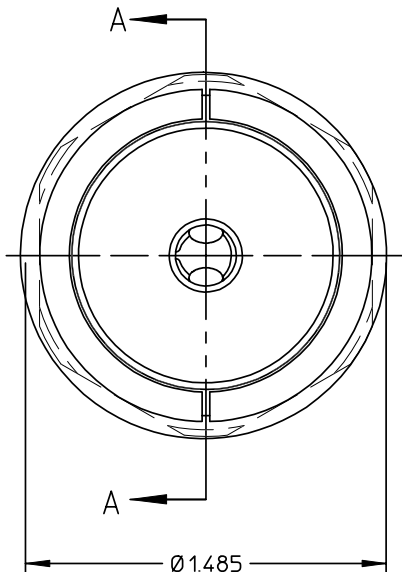


DATA SHEET



Alcoa Fastening Systems

Commercial Products
 1 Corporate Drive, Kingston, NY 12401

NOSE TYPE: NON-SELF-RELEASING

FASTENER TYPE: -12 HCLP

TOOL(S): 230

Notes:

Product Revision: **A**

US Patent:

Date: 06/18/03

NOTES:

1 TORQUE ALL THREADED JOINTS TO 28-32 FT/LBS

△ ANVIL ASSEMBLY 124107 CONSISTS OF:
 124106 ANVIL
 124105 RATCHET PIN (2)
 507166 O-RING

99-3465

Part Number