

4

3

2

1

THIS DRAWING IS UNPUBLISHED.

RELEASED FOR PUBLICATION

20

© COPYRIGHT 20

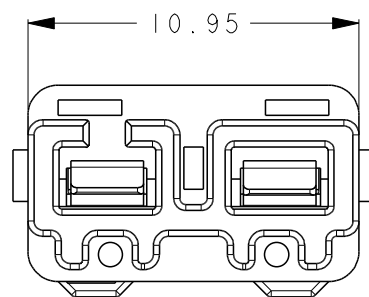
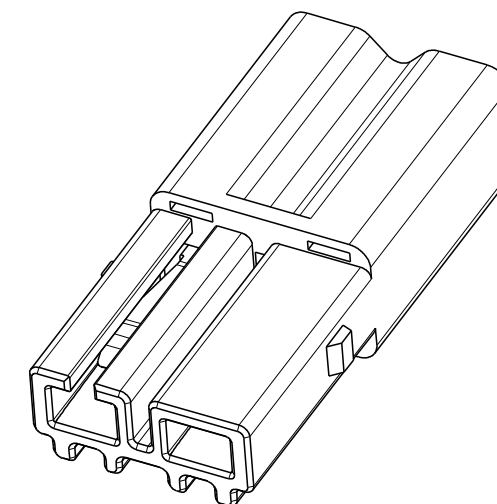
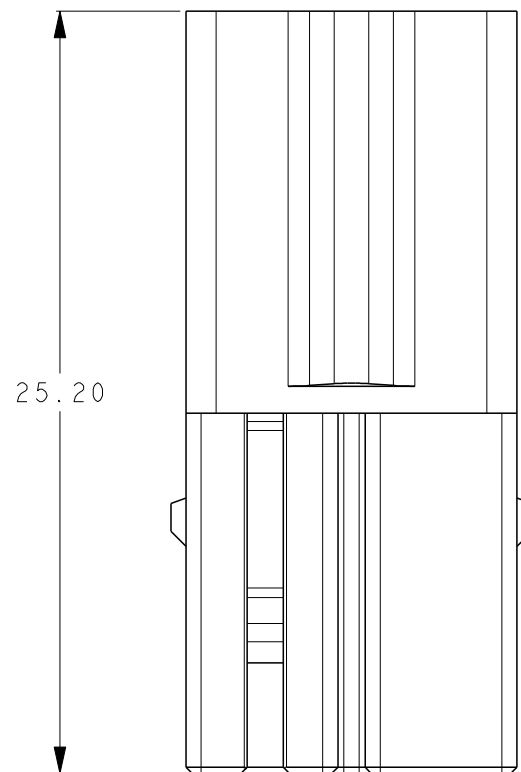
ALL RIGHTS RESERVED.

LOC  
ES

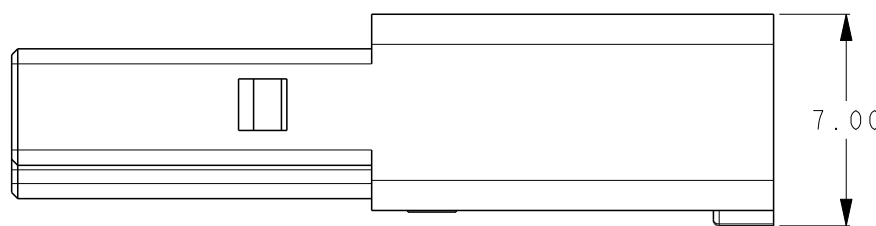
DIST

REVISIONS

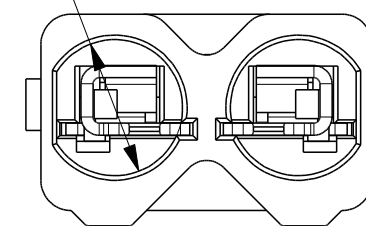
P	LTR	DESCRIPTION	DATE	DWN	APVD
	A1	ADD PN	13OCT2015	M.S	X.X
	A2	UPDATE TABLE: ECR-15-018014	14DEC2015	M.S	X.X
	B	ECR-16-010339	15JUL2016	X.X	X.X
	C	ECR-17-000969	20DEC2016	M.S	X.X



SCALE 4:1



Ø 4.50±0.20 (2X)



PART NUMBER	PART COLOR
2834036-1	ORANGE
2834036-2	BLACK
2834036-3	WHITE (NATURE)

NOTES:

- 1. TE PART NUMBER: SEE TABLE.
- 2. MATERIAL: TERMINAL: COPPER ALLOY. HOUSING: NYLON, UL 94-V0. COLOR: ORANGE.
- 3. FINISH: TERMINAL: TIN PLATING OVERALL.
- 4. APPLICABLE MATING RECEPTACLE: 2834037 SERIES.
- 5. APPLICABLE WIRE: 18-22 AWG SOLID. STRIP LENGTH: 9.0-9.5mm.
- 6. PRODUCT COMPLIES TO UL 2459 REQUIREMENT AND QUALIFIED: ZMNA.E308110; ZMNA7.E208110.

THIS DRAWING IS A CONTROLLED DOCUMENT.		DWN	18DEC2014	<b>STE</b> TE Connectivity																
		CHK	SHI MING 18DEC2014																	
		APVD	XU XIANG 18DEC2014																	
<table border="1"> <thead> <tr> <th>DIMENSIONS:</th> <th>TOLERANCES UNLESS OTHERWISE SPECIFIED:</th> </tr> </thead> <tbody> <tr> <td>mm</td> <td>± 0.5</td> </tr> <tr> <td></td> <td>0-PLC ±</td> </tr> <tr> <td></td> <td>1-PLC ±10</td> </tr> <tr> <td></td> <td>2-PLC ±5.0</td> </tr> <tr> <td></td> <td>3-PLC ±</td> </tr> <tr> <td></td> <td>4-PLC ±</td> </tr> <tr> <td></td> <td>ANGLES ± 5°</td> </tr> </tbody> </table>		DIMENSIONS:	TOLERANCES UNLESS OTHERWISE SPECIFIED:	mm	± 0.5		0-PLC ±		1-PLC ±10		2-PLC ±5.0		3-PLC ±		4-PLC ±		ANGLES ± 5°	NAME	PLUG 2 PIN WIRE TO WIRE CONNECTOR	
DIMENSIONS:	TOLERANCES UNLESS OTHERWISE SPECIFIED:																			
mm	± 0.5																			
	0-PLC ±																			
	1-PLC ±10																			
	2-PLC ±5.0																			
	3-PLC ±																			
	4-PLC ±																			
	ANGLES ± 5°																			
MATERIAL		PRODUCT SPEC	SIZE																	
FINISH		APPLICATION SPEC	CAGE CODE																	
		WEIGHT	DRAWING NO																	
		CUSTOMER DRAWING	A300779C-2834036																	
		SCALE	RESTRICTED TO																	
		SHEET	-																	
		OF	-																	
		REV	C																	

4

3

2

1

THIS DRAWING IS UNPUBLISHED.

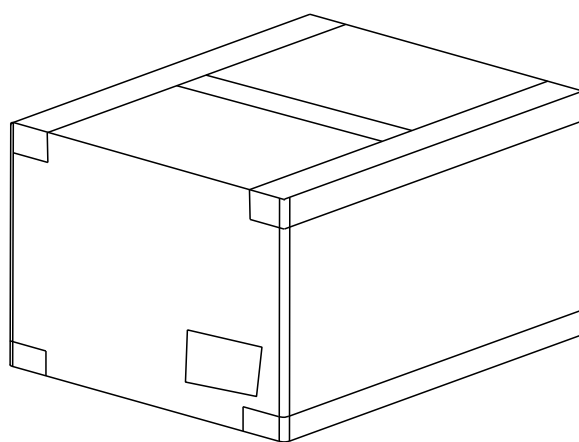
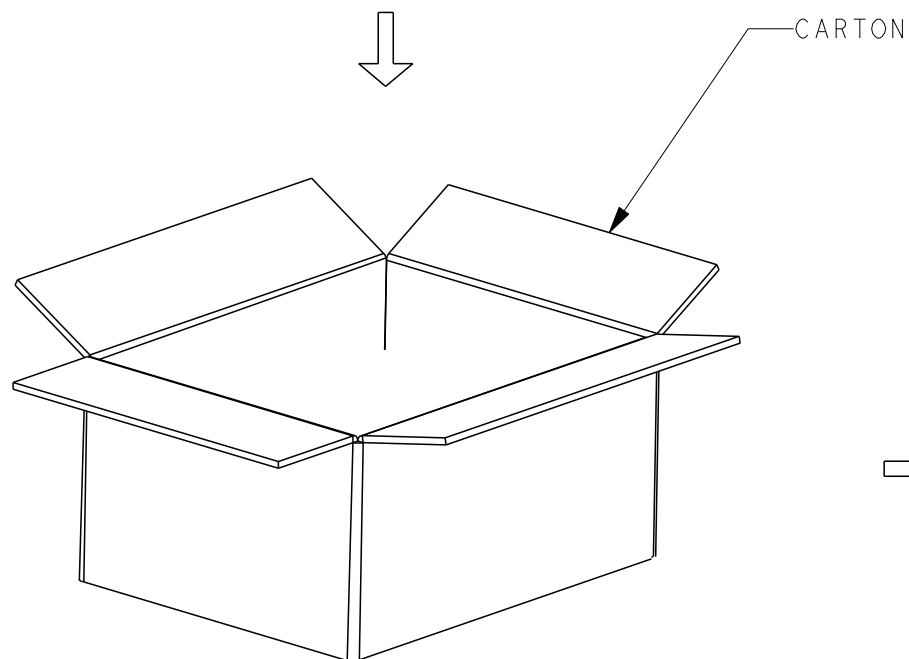
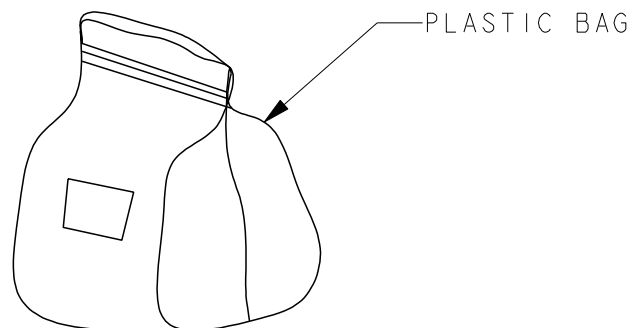
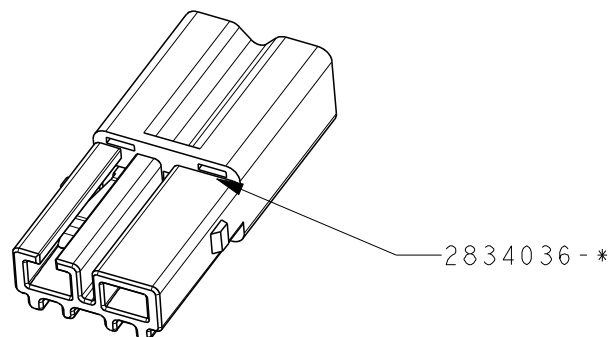
RELEASED FOR PUBLICATION

20

© COPYRIGHT 20

ALL RIGHTS RESERVED.

LOC	DIST	REVISIONS					
		P	LTR	DESCRIPTION	DATE	DWN	APVD
ES							



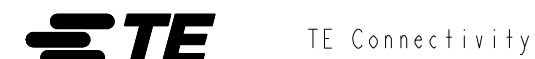
NOTE:  
1. PACKAGING QUANTITY: SEE TABLE.

PARTS PER BAG	BAGS PER CARTON	PARTS PER CARTON
500 PCS	8	4000 PCS

THIS DRAWING IS A CONTROLLED DOCUMENT.

DIMENSIONS: mm	TOLERANCES UNLESS OTHERWISE SPECIFIED:
	0 PLC ± 1 PLC ±10 2 PLC ±5.0 3 PLC ± 4 PLC ± ANGLES ±5°
MATERIAL	FINISH
-	-

DWN	18DEC2014
CHK	SHI MING
APVD	XU XIANG
PRODUCT SPEC	XU XIANG
APPLICATION SPEC	-
WEIGHT	-
CUSTOMER DRAWING	



PLUG  
2 PIN WIRE TO WIRE CONNECTOR

NAME	SIZE	CAGE CODE	DRAWING NO	RESTRICTED TO
	A300779	C=2834036		-
SCALE 4:1			SHEET 2 OF 2	REV C

D

C

B

A

# Mouser Electronics

Authorized Distributor

Click to View Pricing, Inventory, Delivery & Lifecycle Information:

[TE Connectivity:](#)

[2834036-1](#)