

General Description

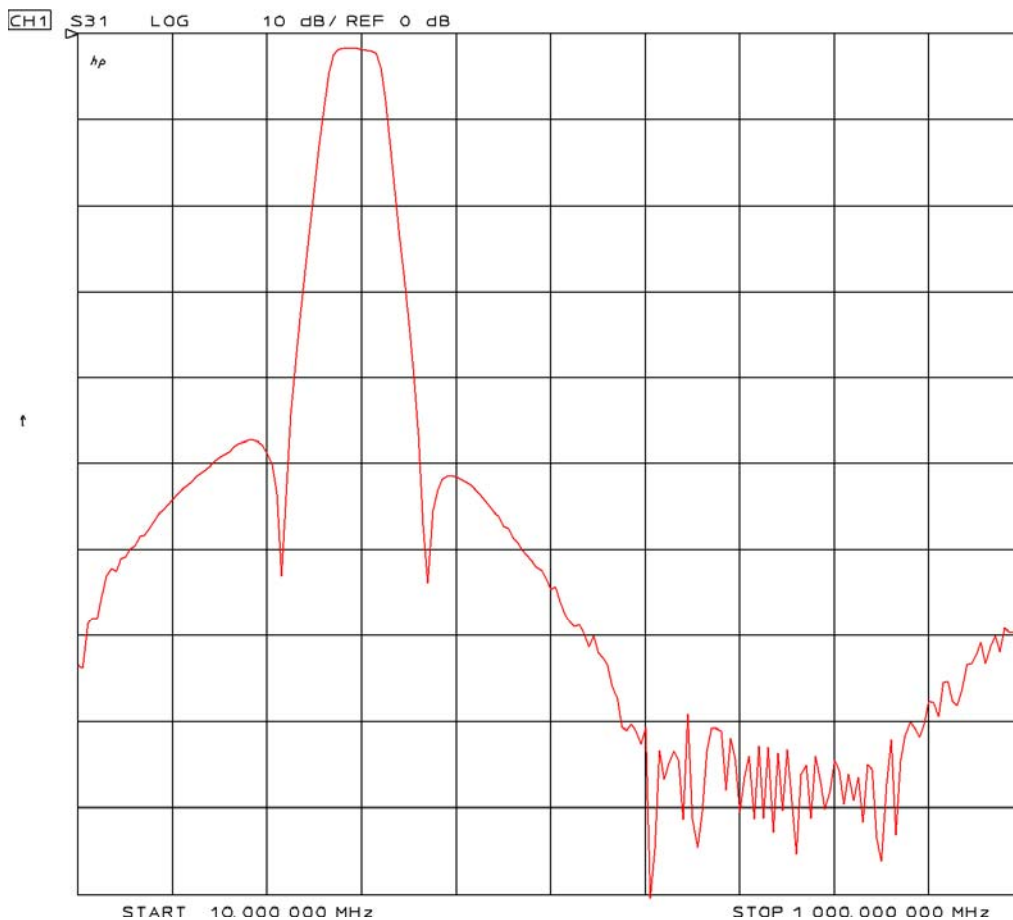
KR Electronics part number 3245 is a 300 MHz Bandpass filter. The filter has a 1.5 dB bandwidth of 50 MHz. Other bandwidths available. Please consult the factory.

Features

- 300 MHz Bandpass
- 50 MHz Bandwidth
- Selective Elliptic Response
- 50 Ω Source and Load
- Surface Mount
- Also available with SMA connectors

Typical Performance

Overall Response

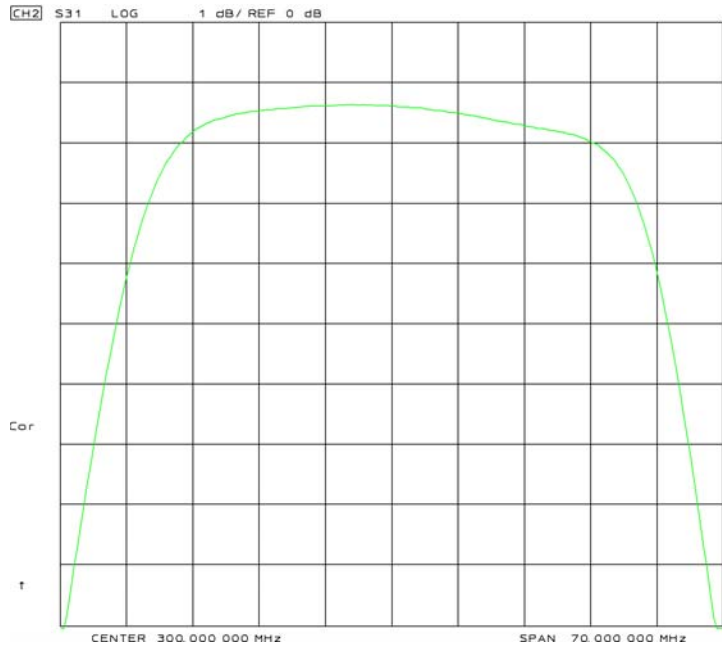


KR Electronics, Inc.
91 Avenel Street
Avenel, NJ 07001

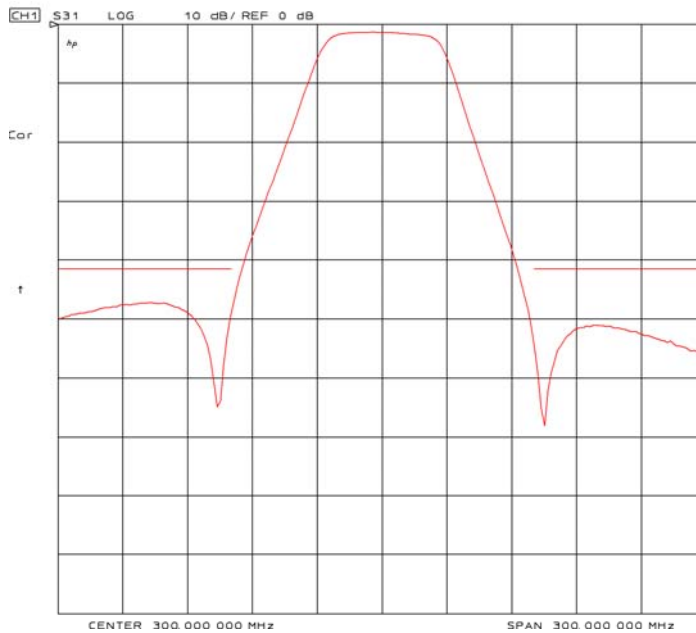
Web www.krfilters.com
Email sales@krfilters.com
Phone (732) 636-1900
Fax (732) 636-1982

Typical Performance

Passband Amplitude (1 dB/div)



Overall Response (10 dB/div)



KR Electronics, Inc.
91 Avenel Street
Avenel, NJ 07001

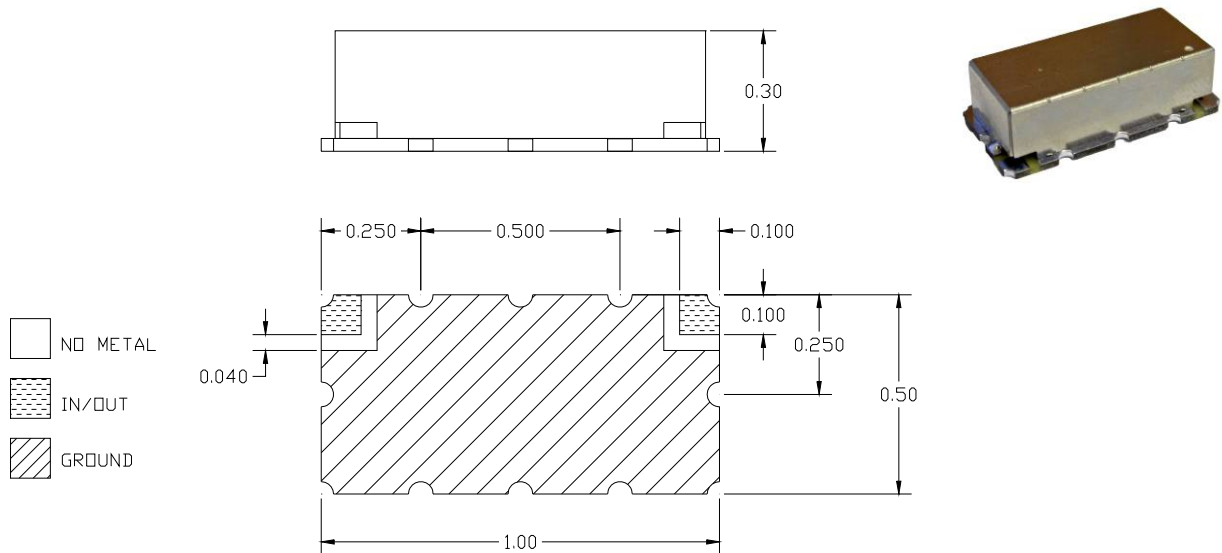
Web www.krfilters.com
Email sales@krfilters.com
Phone (732) 636-1900
Fax (732) 636-1982

KR Electronics 3245

Specifications

Parameter	Specification	
Filter type	Bandpass	
Center Frequency	300 MHz	
Insertion Loss	3 dBa max	
1.5 dBc Bandwidth	50 MHz \pm 2 MHz	
3 dBc Bandwidth	56 MHz typical	
40 dBc Bandwidth	140 MHz max	127 MHz typical
Source and Load	50 Ω	1.5 dBa typical

Physical Dimensions



Notes:

1. Surface mount package
2. Dimensions in inches
3. Max reflow temperature 230° C for 10 sec
4. If boards are cleaned after installation units must be completely dried

KR Electronics, Inc.
91 Avenel Street
Avenel, NJ 07001

Web www.krfilters.com
Email sales@krfilters.com
Phone (732) 636-1900
Fax (732) 636-1982