

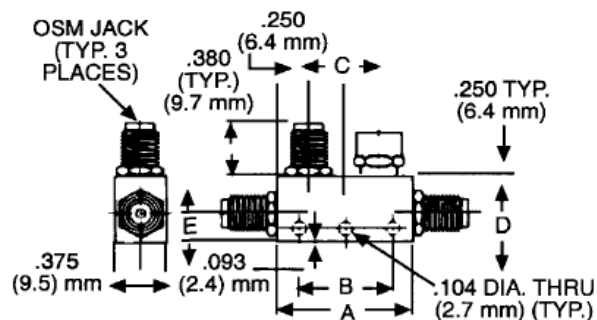
### Features

- Smallest and Lightest Couplers Available
- 0.5 through 18 GHz, including Wideband Units
- High Directivity - Low VSWR
- Meets MIL-E-5400 Environments

### Description

These miniature couplers are designed to provide sampling of the RF Power propagating in one direction on a transmission line.

### Outline Drawing<sup>1</sup>



1. All dimensions are  $\pm 0.020$ , except mounting hole diameters ( $\pm 0.005$ ) and mounting hole location ( $\pm 0.010$ ).

### Mechanical Specifications

Case Style	A Inch (mm)	B Inch (mm)	C Inch (mm)	D Inch (mm)	E Inch (mm)	Weight oz	Weight g
1	1.00 (25.4)	N/A	0.50 (12.7)	0.55 (13.9)	0.22 (5.6)	0.62	17.6
2	1.00 (25.4)	N/A	0.50 (12.7)	0.50 (12.7)	0.22 (5.6)	0.60	17.0
3	1.16 (29.4)	0.34 (8.7)	0.66 (16.7)	0.50 (12.7)	0.22 (5.6)	0.64	18.2
4	1.16 (29.4)	0.34 (8.7)	0.66 (16.7)	0.55 (13.9)	0.22 (5.6)	0.67	19.0
5	1.78 (45.2)	0.94 (23.8)	1.28 (32.5)	0.50 (12.7)	0.22 (5.6)	0.82	23.2
6	1.78 (45.2)	0.94 (23.8)	1.28 (32.5)	0.55 (13.9)	0.22 (5.6)	0.87	23.3
7 <sup>2</sup>	3.00 (76.2)	1.00 (25.4)	2.50 (64.5)	0.75 (19.1)	0.31 (7.9)	1.50	43.0
8	1.00 (25.4)	N/A	0.50 (12.7)	0.63 (15.9)	0.22 (5.6)	0.67	19.0

2. Case Style 7 has four mounting holes located symmetrically to the two shown dotted in figure.

## Directional Couplers Mini Octave Bandwidth

Rev. V4

### Specifications

Part #	Case Style	Freq. Range	Coupling (Include Freq. Sens.)	Freq. Sens.	Insertion Loss max.	Direct. min.	VSWR max.		Input Power		
		(GHz)	(dB)	(dB)	(dB)	(dB)	Prim Line	Sec Line	Avg. In. (W)	Avg. Refl. (W)	Pk. (kW)
2020-6605-10	5	1.0-2.0	10 ± 1.0	±0.75	0.20	25	1.15	1.15	50	10	4
2020-6606-20	5		20 ± 1.0	±0.75	0.20	25	1.15	1.15	50	50	4
2020-6607-30	6		30 ± 1.0	±0.75	0.20	25	1.15	1.15	50	50	4
2020-6609-10	3	2.0-4.0	10 ± 1.0	±0.75	0.20	22	1.15	1.15	50	10	4
2020-6610-20	3		20 ± 1.0	±0.75	0.20	22	1.15	1.15	50	50	4
2020-6611-30	4		30 ± 1.0	±0.75	0.20	22	1.15	1.15	50	50	4
2020-6613-10	2	2.6-5.2	10 ± 1.0	±0.75	0.25	20	1.25	1.25	50	10	4
2020-6614-20	2		20 ± 1.0	±0.75	0.25	20	1.25	1.25	50	50	4
2020-6615-30	1		30 ± 1.0	±0.75	0.25	20	1.25	1.25	50	50	4
2020-6616-06	2	4.0-8.0	6 ± 0.75	±0.50	0.25	22	1.25	1.25	50	4	4
2020-6617-10	2		10 ± 0.75	±0.50	0.25	20	1.25	1.25	50	10	4
2020-6618-20	2		20 ± 0.75	±0.50	0.25	20	1.25	1.25	50	50	4
2020-6619-30	1		30 ± 0.75	±0.50	0.25	20	1.25	1.25	50	50	4
2020-6621-10	1	7.0-12.4	10 ± 0.75	±0.40	0.40	20	1.30	1.35	50	10	4
2020-6622-20	1		20 ± 0.75	±0.50	0.30	18	1.25	1.25	50	50	4
2020-6623-30	1		30 ± 1.0	±0.50	0.30	17	1.35	1.35	50	50	4
2020-6624-06	2	7.0-18.0	6 ± 1.0	±0.50	0.60	15	1.35	1.35	50	4	3
2020-6625-10	1		10 ± 1.0	±0.50	0.40	20	1.30	1.40	50	10	3
2020-6626-20	1		20 ± 1.0	±0.75	0.50	15 <sup>1</sup>	1.45	1.45	50	50	3
2020-6627-30	8		30 ± 1.0	±0.75	0.50	15 <sup>1</sup>	1.45	1.45	50	50	3
2020-6628-06	2	12.4-18.0	6 ± 0.75	±0.40	0.60	15	1.40	1.40	50	4	2
2020-6629-10	1		10 ± 0.75	±0.40	0.40	20	1.30	1.40	50	10	2
2020-6630-20	1		20 ± 0.75	±0.50	0.50	15	1.45	1.45	50	50	2
2020-6631-30	8		30 ± 0.75	±0.50	0.50	12	1.45	1.45	50	50	2

1. 12 dB from 12.4 to 18.0 GHz

### Screening

Part #	MIL Dash #	MIL-C-15370/9 Part # <sup>2</sup>
2020-6605-10 2020-6606-20 2020-6607-30	-200 -300 -400	2020-4015-10 2020-4015-20 2020-4015-30
2020-6609-10 2020-6610-20 2020-6611-30	-600 -700 -800	2020-4016-10 2020-4016-20 2020-4016-30
2020-6616-06 2020-6617-10 2020-6618-20	-900 -100 -110	2020-4017-06 2020-4017-10 2020-4017-20
2020-6621-10 2020-6622-20 2020-6623-30	-130 -140 -180	2020-4018-10 2020-4018-20 2020-4018-30
2020-6630-20	-17	2020-4114-20

2. Mil spec couplers are offered as commercial equivalents only.

M/A-COM Technology Solutions Inc. All rights reserved.

Information in this document is provided in connection with M/A-COM Technology Solutions Inc ("MACOM") products. These materials are provided by MACOM as a service to its customers and may be used for informational purposes only. Except as provided in MACOM's Terms and Conditions of Sale for such products or in any separate agreement related to this document, MACOM assumes no liability whatsoever. MACOM assumes no responsibility for errors or omissions in these materials. MACOM may make changes to specifications and product descriptions at any time, without notice. MACOM makes no commitment to update the information and shall have no responsibility whatsoever for conflicts or incompatibilities arising from future changes to its specifications and product descriptions. No license, express or implied, by estoppel or otherwise, to any intellectual property rights is granted by this document.

THESE MATERIALS ARE PROVIDED "AS IS" WITHOUT WARRANTY OF ANY KIND, EITHER EXPRESS OR IMPLIED, RELATING TO SALE AND/OR USE OF MACOM PRODUCTS INCLUDING LIABILITY OR WARRANTIES RELATING TO FITNESS FOR A PARTICULAR PURPOSE, CONSEQUENTIAL OR INCIDENTAL DAMAGES, MERCHANTABILITY, OR INFRINGEMENT OF ANY PATENT, COPYRIGHT OR OTHER INTELLECTUAL PROPERTY RIGHT. MACOM FURTHER DOES NOT WARRANT THE ACCURACY OR COMPLETENESS OF THE INFORMATION, TEXT, GRAPHICS OR OTHER ITEMS CONTAINED WITHIN THESE MATERIALS. MACOM SHALL NOT BE LIABLE FOR ANY SPECIAL, INDIRECT, INCIDENTAL, OR CONSEQUENTIAL DAMAGES, INCLUDING WITHOUT LIMITATION, LOST REVENUES OR LOST PROFITS, WHICH MAY RESULT FROM THE USE OF THESE MATERIALS.

MACOM products are not intended for use in medical, lifesaving or life sustaining applications. MACOM customers using or selling MACOM products for use in such applications do so at their own risk and agree to fully indemnify MACOM for any damages resulting from such improper use or sale.