

## IEC Appliance Inlet C16, Snap-in Mounting, Front Side, Quick-connect Terminal



C16  
  
 120° C

**Description**

- Panel Mount:  
Snap-in version, Frontside
- Appliance Inlet, Pin temperature 120 °C, Protection class I
- Quick connect terminals

**Approvals**

- VDE License Number: 40009508
- UL License Number: E96454
- CSA License Number: 27324

**References**

[General Product Information](#)

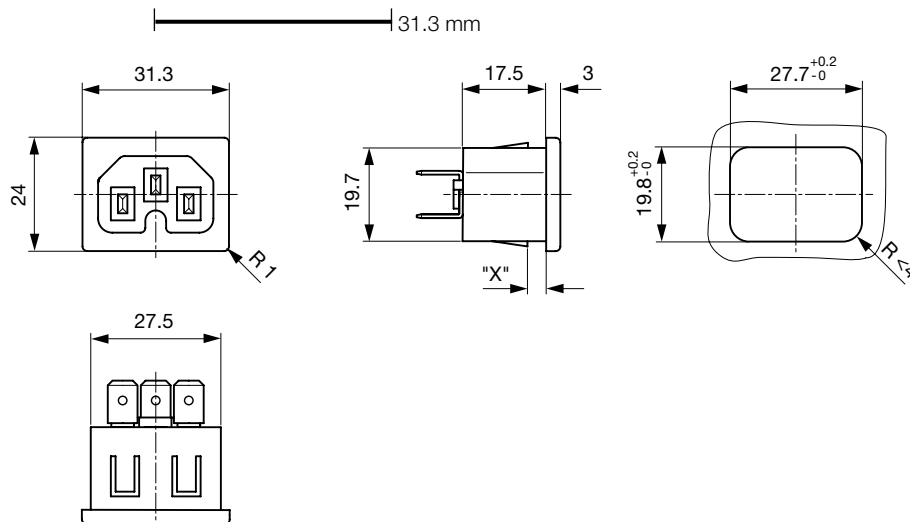
**Weblinks**

[Approvals](#), [RoHS](#), [CHINA-RoHS](#), [Mating Connectors](#), [Distributor-Stock-Check](#), [Accessories](#)

**Technical Data**

Ratings IEC	10A / 250VAC; 50 Hz
Ratings UL/CSA	15A / 250VAC; 60 Hz
Dielectric Strength	> 3 kVAC between L-N > 1.5 kVAC between L/N-PE (1 min/50 Hz)
Allowable Operation Temp.	-25 °C to 120 °C
Degree of Protection	from front side IP 20 acc. to IEC 60529
Protection Class	Suitable for appliances with protection class 1 acc. to IEC 61140
Panel Thickness s	Snap-in version 1/1.5/2/2.5/3/4 mm
Material: Housing	black or grey

Appliance Inlet	C16 acc. to IEC/EN 60320-1 UL 498, CSA C22.2 no. 42 (For hot conditions) pin-temperature 120 °C, 10A, Protection Class 1
-----------------	---

**Dimensions**

Length of the terminal please find at the order code configuration table  
 Dimension "X" please ref. to table order code

## Config. Code

Product Configurator

0165 - H - A B C 0 - D - E G

The characters are placeholders for the correspondingly keys of selections from the key tables.

## 0165 - H - A B C 0 - D - E G = Type

Type	Configuration key
protection class 1	X

## 0165 - H - A B C 0 - D - E G = Terminals

Terminal L	Configuration key
blade terminal (4,8x0,8mm)	8
blade terminal (6,3x0,8mm)	9



## 0165 - H - A B C 0 - D - E G = Terminals

Terminal N	Configuration key
blade terminal (4,8x0,8mm)	8
blade terminal (6,3x0,8mm)	9

Symbols similar as in table A

## 0165 - H - A B C 0 - D - E G = Terminals

Terminal Ground	Configuration key
blade terminal (4,8x0,8mm)	8
blade terminal (6,3x0,8mm)	9

Symbols similar as in table A

## 0165 - H - A B C 0 - D - E G = Color

Color	Configuration key
jet black; RAL9005	A
light grey; RAL7035	C
standard color: black	

## 0165 - H - A B C 0 - D - E G = Style

Style	Configuration key
snap-in (x=panel thickness)	4

## 0165 - H - A B C 0 - D - E G = Dimension X

Dimension "X"	Configuration key
10	
15	
20	
25	
30	
40	

The dimension "X" is displayed in ( $\frac{1}{10}$  mm). This information is also valid for the order code

## Variants

Config. Code	Description	Order Number
0165-X-8880-A-420	0165, IEC Appliance Inlet C16, 120°C, version: 1, L: blade terminal (4,8x0,8mm), N: blade terminal (4,8x0,8mm), ground: blade terminal (4,8x0,8mm), color: jet black; RAL9005, design: snap-in (x=panel thickness), dimension X: 20	6167.0008
0165-X-8880-A-425	0165, IEC Appliance Inlet C16, 120°C, version: 1, L: blade terminal (4,8x0,8mm), N: blade terminal (4,8x0,8mm), ground: blade terminal (4,8x0,8mm), color: jet black; RAL9005, design: snap-in (x=panel thickness), dimension X: 25	6167.0009
0165-X-8880-A-430	0165, IEC Appliance Inlet C16, 120°C, version: 1, L: blade terminal (4,8x0,8mm), N: blade terminal (4,8x0,8mm), ground: blade terminal (4,8x0,8mm), color: jet black; RAL9005, design: snap-in (x=panel thickness), dimension X: 30	6167.0010
0165-X-9990-A-410	0165, IEC Appliance Inlet C16, 120°C, version: 1, L: blade terminal (6,3x0,8mm), N: blade terminal (6,3x0,8mm), ground: blade terminal (6,3x0,8mm), color: jet black; RAL9005, design: snap-in (x=panel thickness), dimension X: 10	6167.0011
0165-X-9990-A-415	0165, IEC Appliance Inlet C16, 120°C, version: 1, L: blade terminal (6,3x0,8mm), N: blade terminal (6,3x0,8mm), ground: blade terminal (6,3x0,8mm), color: jet black; RAL9005, design: snap-in (x=panel thickness), dimension X: 15	6167.0012
0165-X-9990-A-425	0165, IEC Appliance Inlet C16, 120°C, version: 1, L: blade terminal (6,3x0,8mm), N: blade terminal (6,3x0,8mm), ground: blade terminal (6,3x0,8mm), color: jet black; RAL9005, design: snap-in (x=panel thickness), dimension X: 25	6167.0013
0165-X-9990-A-430	0165, IEC Appliance Inlet C16, 120°C, version: 1, L: blade terminal (6,3x0,8mm), N: blade terminal (6,3x0,8mm), ground: blade terminal (6,3x0,8mm), color: jet black; RAL9005, design: snap-in (x=panel thickness), dimension X: 30	6167.0014
0165-X-9990-A-440	0165, IEC Appliance Inlet C16, 120°C, version: 1, L: blade terminal (6,3x0,8mm), N: blade terminal (6,3x0,8mm), ground: blade terminal (6,3x0,8mm), color: jet black; RAL9005, design: snap-in (x=panel thickness), dimension X: 40	6167.0015

The listed variants should be available from stock Other versions on request [www.schurter.com/contact](http://www.schurter.com/contact)

## Packaging unit

50 Pcs

## Mating Outlets/Connectors

## Category / Description

[Connector Overview complete](#)

IEC Connector C15, Rewireable, Straight	0101
IEC Connector C15A, Rewireable, Straight	0102
IEC Connector C15A, Rewireable, Straight	0102-G
IEC Connector C15A, Rewireable, Angled	0112
IEC Connector C15, Rewireable, Straight	4781
<a href="#">Connector further types to 0165</a>	...

[Power Cord Overview complete](#)

Power Cord with IEC Connector C15, Straight, 120°C	3366
Power Cord with IEC Connector C15, Angled, 120°C	3368
<a href="#">Power Cord further types to 0165</a>	