

# KR Electronics, Inc.

## General Description

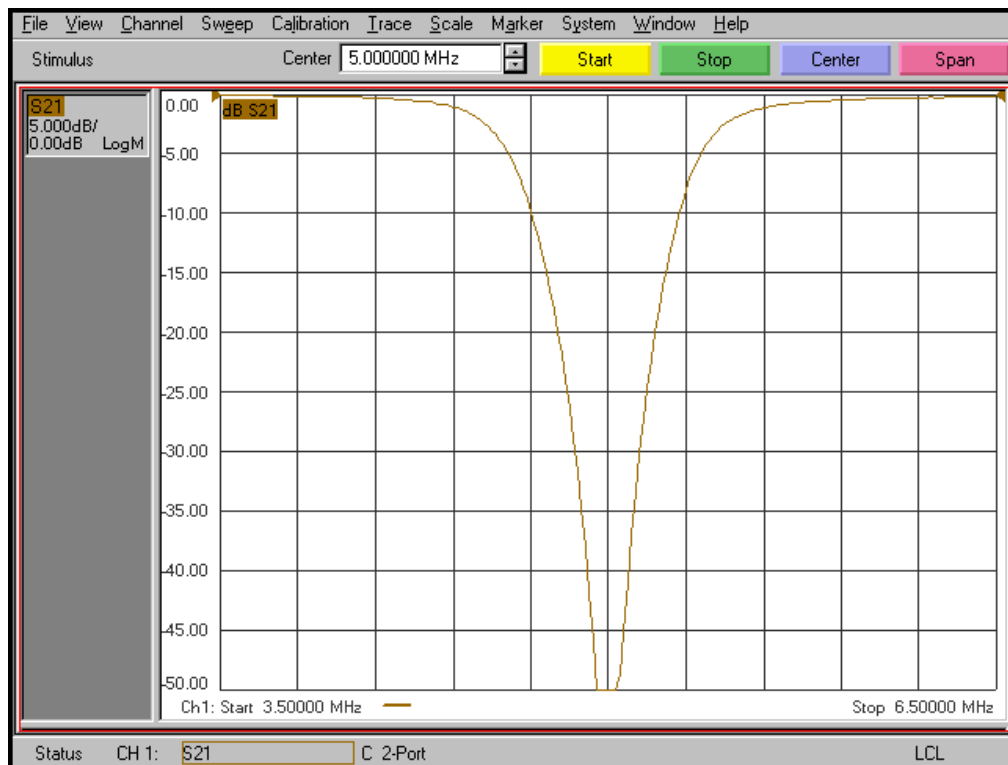
KR Electronics part number 2606-SMA is a 5 MHz notch filter. The filter has a typical 3 dB bandwidth of 875 KHz. Other center frequencies and bandwidths are available. Please consult the factory.

### Features

- 5 MHz Notch Filter
- 875 KHz typical 3 dB Bandwidth
- 40 dB min Rejection at 5 MHz (Over 50 dB typical)
- 50  $\Omega$  Source and Load
- SMA Connectors
- Surface mount available

## Typical Performance

### Overall Response (5 dB/div)

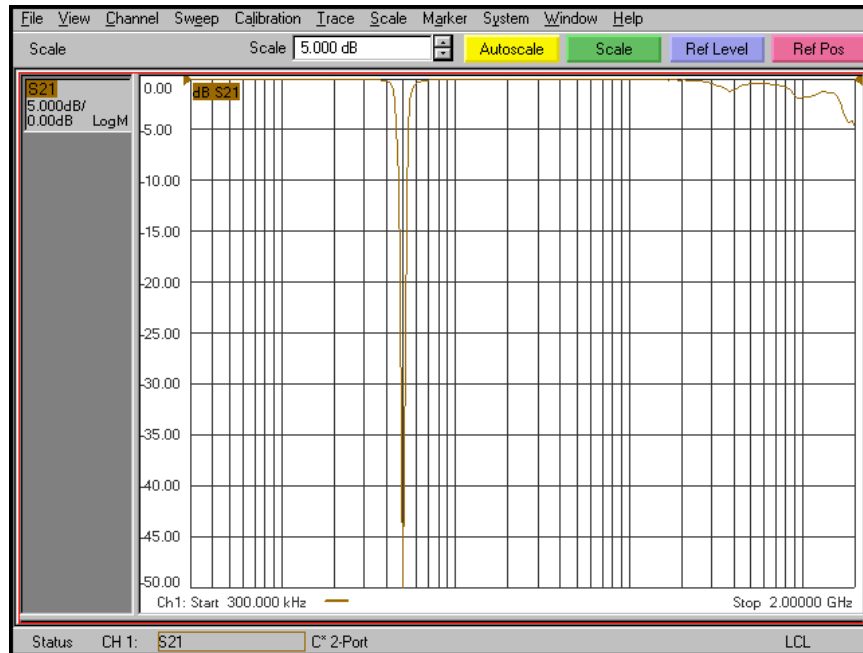


KR Electronics, Inc.  
91 Avenel Street  
Avenel, NJ 07001

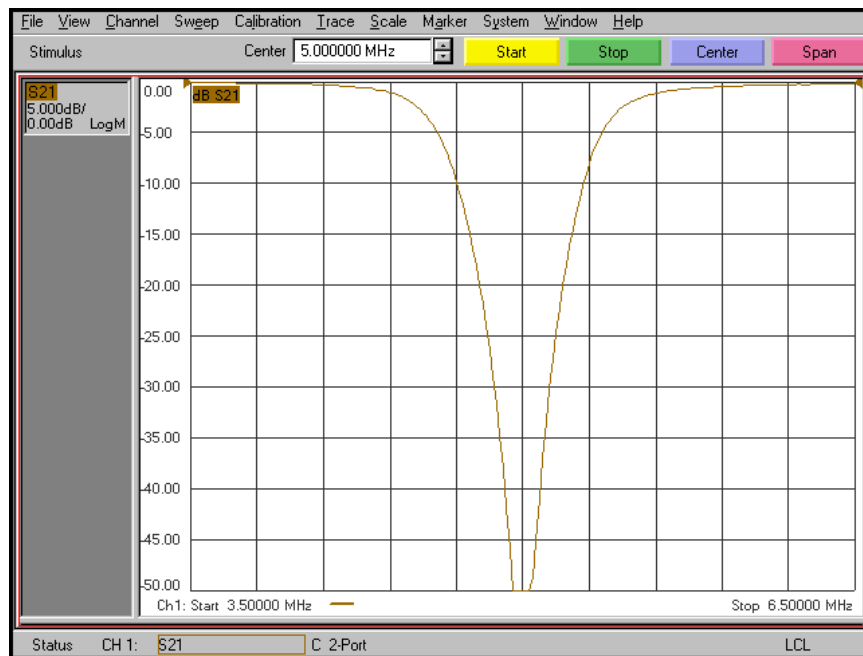
Web [www.krfilters.com](http://www.krfilters.com)  
Email [sales@krfilters.com](mailto:sales@krfilters.com)  
Phone (732) 636-1900  
Fax (732) 636-1982

## Typical Performance

### Overall (5 dB/div)



### Overall Response (5 dB/div)



KR Electronics, Inc.  
91 Avenel Street  
Avenel, NJ 07001

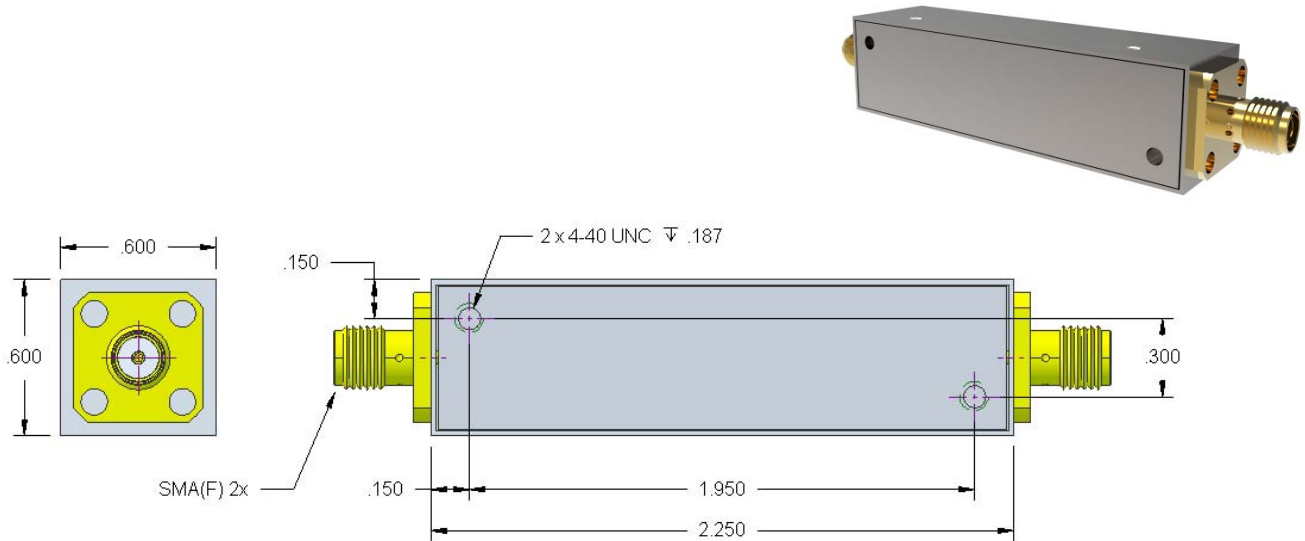
Web [www.krfilters.com](http://www.krfilters.com)  
Email [sales@krfilters.com](mailto:sales@krfilters.com)  
Phone (732) 636-1900  
Fax (732) 636-1982

# KR Electronics 2606-SMA

## Specifications

Parameter	Specification	Notes
Filter type	Notch	
Center Frequency	5 MHz	
3 dBc Bandwidth	875 KHz typical	
20 dBc Bandwidth	375 KHz typical	
40 dBc Bandwidth	160 KHz typical	
Rejection at 5 MHz	40 dB min	50 dB typical
Source and Load	50 Ω	

## Physical Dimensions



**Notes:**

1. Dimensions in inches
2. Rectangular case
3. Also available in surface mount package and DIP package

KR Electronics, Inc.  
91 Avenel Street  
Avenel, NJ 07001

Web [www.krfilters.com](http://www.krfilters.com)  
Email [sales@krfilters.com](mailto:sales@krfilters.com)  
Phone (732) 636-1900  
Fax (732) 636-1982