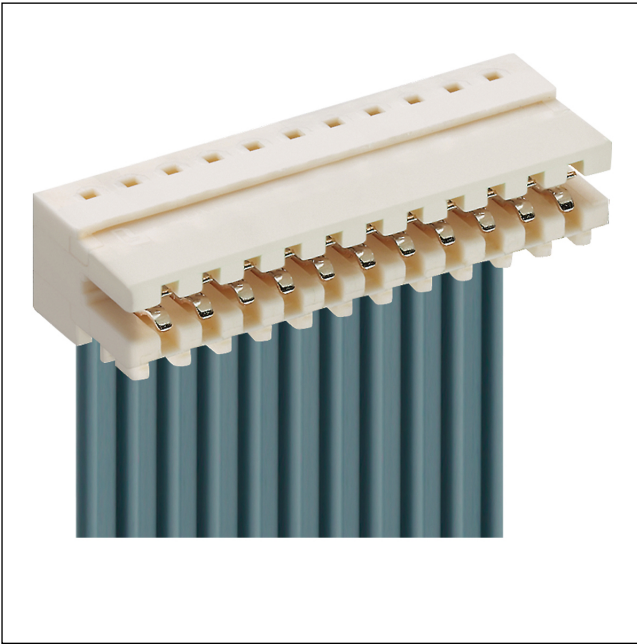


35

3520-2

RAST 2.5 connectors, pitch 2.5/5.0 mm



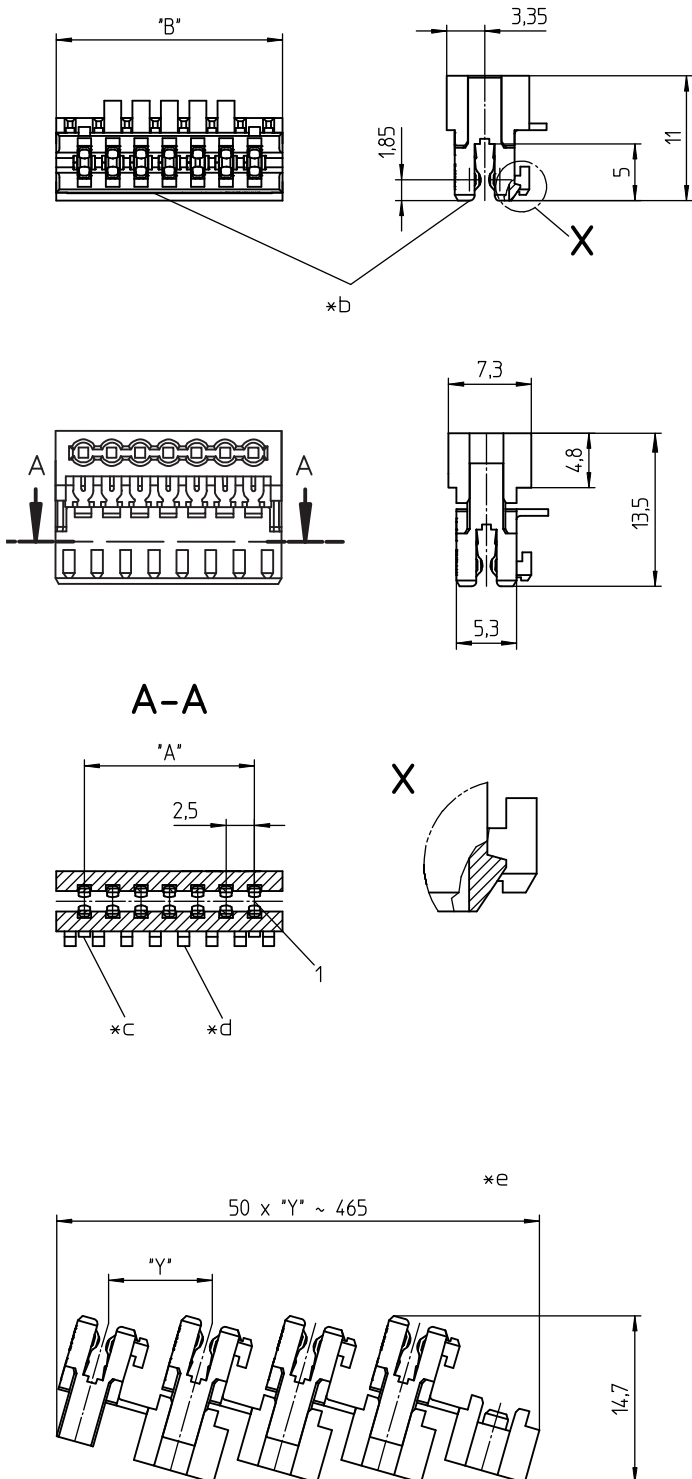
RAST 2.5 connector for direct and indirect mating,
insulation displacement technology (IDT), with interior
locking, for ribbon cable
contact pitch 2.5 mm

State: Active

Approvals:



35 3520-2



Environmental conditions

Temperature range -40 °C/+130 °C¹

¹ upper limit temperature (insulating body) RTI (electrical) of the UL Yellow Card

Materials

Insulating body PBT, V-0 according to UL94 – 3520-2 (S...V...)
PA, V-2 according to UL94 – 3520-2 M12(S...V...)¹


Contact spring CuSn, tin-plated – 3520-2 (M...S...)
CuSn, tin-plated (Sn/Ag), 2-9 poles – 3520-2 (M...S...)/V03
CuSn, pre-nickel and gold-plated – 3520-2 (M...S...)/V102

¹ M12: component glow wire resistant (GWT 750 °C), testing acc. to IEC 60695-2-11, assessment acc. to IEC 60335-1 (flame < 2 s)

Mechanical data

Mating with Leiterplatte 1,5 ± 0,14 mm
Insertion force/contact ≤ 4,0 N
Withdrawal force/contact ≥ 0,5 N
Keying proposals at www.lumberg.com 

Connectable conductors for IDT area

Construction discrete conductor, flat cable 2.5 mm
Section min. 0,14 mm²
Section max. 0,38 mm²
Insulation diameter ≤ 1,6 mm
Approved cables at www.lumberg.com 

Electrical data (at T_{amb} 20 °C)

Contact resistance ≤ 5 mΩ
Rated current 4 A (T_v 60 °C)
2 A (T_v 100 °C)
Rated voltage 32 V AC
Material group IIIa (IEC)/2 (UL) (CTI ≥ 250)
Creepage distance 0,6 mm
Clearance 0,6 mm
Insulation resistance > 1 GΩ

- *a terminated connector
- *b color marking:
3520-2 (M...)S01 blue
3520-2 (M...)S02 green
3520-2 (M...)S03 brown
- *c lock (detail X)
- *d keying
- *e chaining of the component parts (state of delivery)

Associated products

Counterparts

[↗ 3551](#) [↗ 355195](#) [↗ 3555](#)

Accessories

[↗ 3501](#)

Harnessing equipment

↗ HA3...e	↗ HA35-CA	↗ HA35e
↗ HA35e-CA	↗ HA35e-RK	↗ HZ-M35
↗ HZ35	↗ HZ35-K	↗ KHP35
↗ VARICON 7000	↗ VARICON 7000-RD	

Designation	Pole Number	PU (Pieces)	MDQ (Pieces)	Dimensions	
				A (mm)	B (mm)
3520-2 04	4	2700	5400	7.5	12.4
3520-2 05	5	2250	2250	10.0	14.9
3520-2 06	6	1800	3600	12.5	17.4
3520-2 07	7	1800	3600	15.0	19.9
3520-2 08	8	1350	2700	17.5	22.4
3520-2 09	9	1350	2700	20.0	24.9
3520-2 10	10	1350	2700	22.5	27.4
3520-2 11	11	900	2700	25.0	29.9
3520-2 12	12	900	2700	27.5	32.4
3520-2 13	13	900	2700	30.0	34.9
3520-2 14	14	900	2700	32.5	37.4
3520-2 15	15	900	2700	35.0	39.9
3520-2 16	16	450	2700	37.5	42.4
3520-2 17	17	450	2700	40.0	44.9
3520-2 18	18	450	2700	42.5	47.4
3520-2 19	19	450	2700	45.0	49.9
3520-2 20	20	450	2700	47.5	52.4

Designation to be completed by further details (e.g. for keying, color or material options).

Packaging:

chained, in a cardboard box