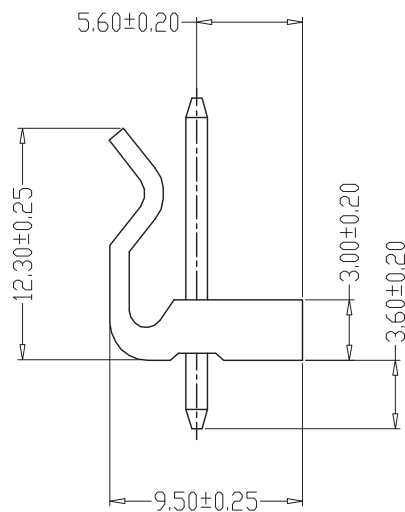
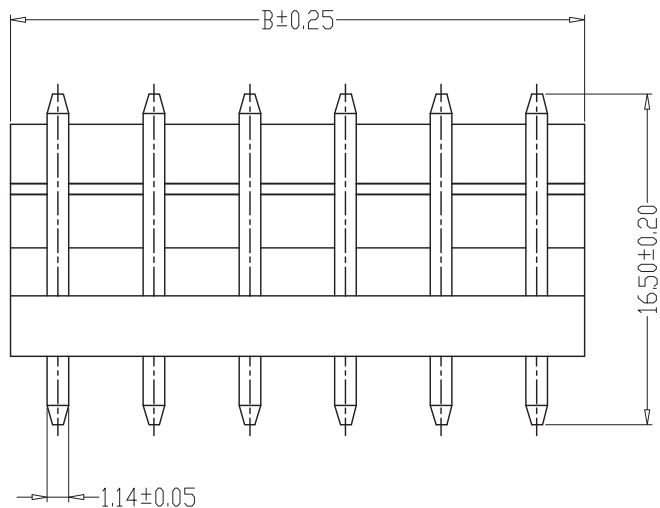


环保物料

TEL: 0769-82001899



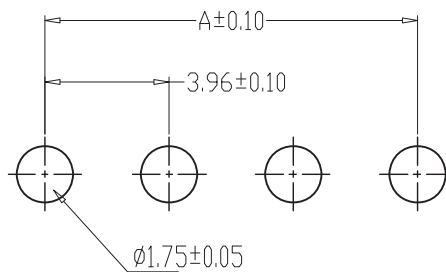
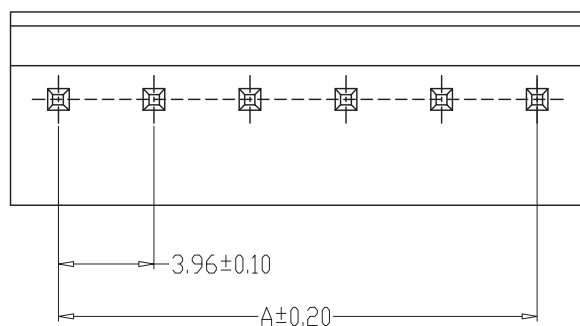
SPECIFICATIONS

- 1.Voltage rating: 250V AC, DC
- 2.Current rating: 7A, AC, DC
- 3.Withstanding Voltage: 1500V AC/minute
- 4.Insulation resistance:1000MΩ min
- 5.Temperature range: -25° C +85° C
- 6.Contact resistance: 10mΩ max

WAFER

Housing Material: Nylon UL 94V-0 (2)
 Pin Material: Phosphor Bronze or Brass
 Contact Area Plating: Plated Tin or Plated Gold
 Mates with :P3961 series Housing or M3963 series headers
 Poles:02-16P
 Part No.: M3961V-xxP

Pin位数



PCB LAYOUT

编 号	尺寸 (mm)	
	A	B
02	3.96	7.92
03	7.92	11.88
04	11.88	15.84
05	15.84	19.80
06	19.80	23.76
07	23.76	27.72
08	27.72	31.68
09	31.68	35.64
10	35.64	39.60
11	39.60	43.56
12	43.56	47.52

				TOLERANCE UNLESS OTHERWISE		DRAWN	CK tan	XFCN 兴飞连接器有限公司 XFCN CONNECTORS CO.,LTD.		SHEET	1/1		
				X.	±0.30	X°	±5°			CHKD	DATE	2020.04.12	
				.X	±0.20	.X°	±2°			APPD	UNITS	mm	
				.XX	±0.08	.XX°	±1°			VIEW	SCALE	1:1	
AO	MODIFICATION			DRAW	DATE	.XXX	±0.03	.XXX°	±0.5°	PRODUCT NAME	3.96mm Crimp Style Connectors	DWG. NO.	009
VER										PART. NO.	M3961V-xxP		