

DM41

pcb power relay



Coil Data (DC voltage)

Table 1

| Coil Voltage Code | Nominal Voltage (VDC) | Coil Resistance (Ω) $\pm 10\%$ | Must operate voltage max. (VDC) | Must release voltage min. (VDC) |
|-------------------|-----------------------|--|------------------------------------|------------------------------------|
| 1003 | 3 | 17 | 2.25 | 0.3 |
| 1005 | 5 | 47 | 3.75 | 0.5 |
| 1006 | 6 | 68 | 4.50 | 0.6 |
| 1009 | 9 | 152 | 6.75 | 0.9 |
| 1012 | 12 | 272 | 9.00 | 1.2 |
| 1018 | 18 | 610 | 13.5 | 1.8 |
| 1024 | 24 | 1087 | 18.00 | 2.4 |
| 1048 | 48 | 4347 | 36.00 | 4.8 |
| 1110 | 110 | 22830 | 82.5 | 11.0 |

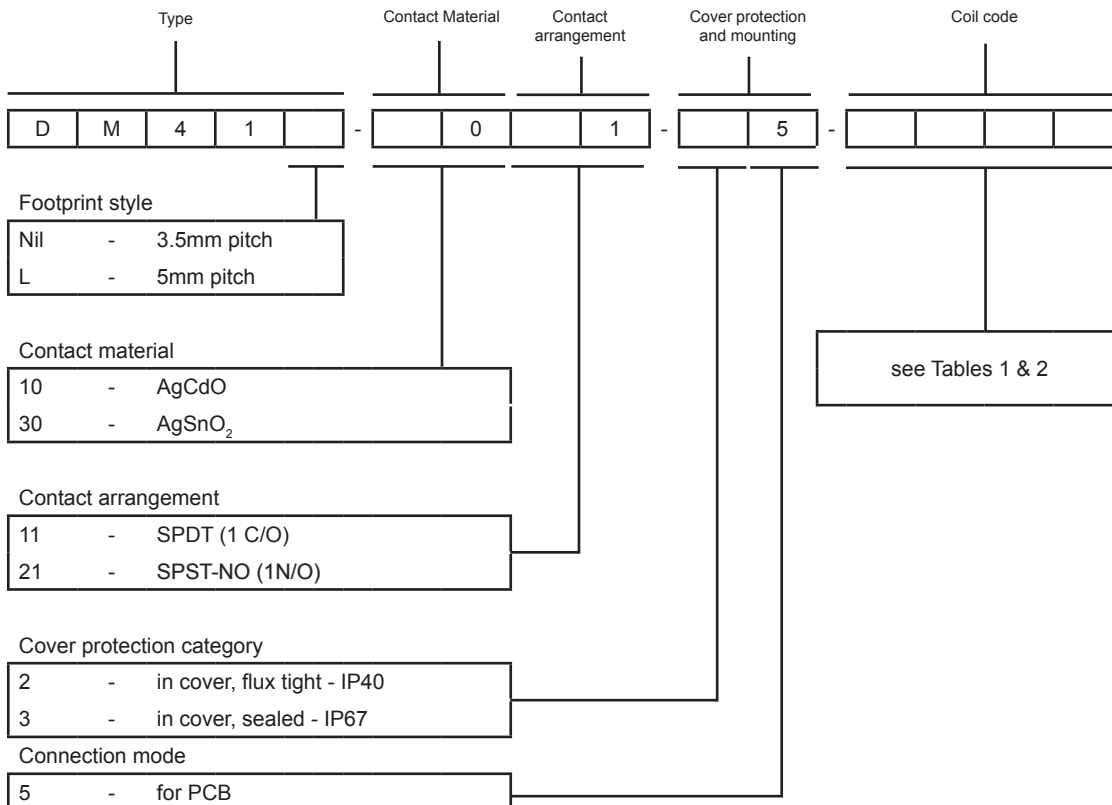
Coil Data (AC voltage 50/60Hz)

Table 2

| Coil Voltage Code | Nominal Voltage (VAC) | Coil Resistance (Ω) $\pm 10\%$ | Must operate voltage max. (VAC) | Must release voltage min. (VAC) | Max. allowable voltage (VAC) |
|-------------------|-----------------------|--|------------------------------------|------------------------------------|---------------------------------|
| 5006 | 6 | 16 | 4.8 | 1.8 | 6.6 |
| 5012 | 12 | 63 | 9.6 | 3.6 | 13.2 |
| 5024 | 24 | 253 | 19.2 | 7.2 | 26.4 |
| 5115 | 115 | 5819 | 88.0 | 34.5 | 126.5 |
| 5220 | 220 | 21296 | 176 | 66 | 242 |
| 5230 | 230 | 23276 | 184 | 69 | 253 |

Other coil voltages are available on request.

Ordering codes



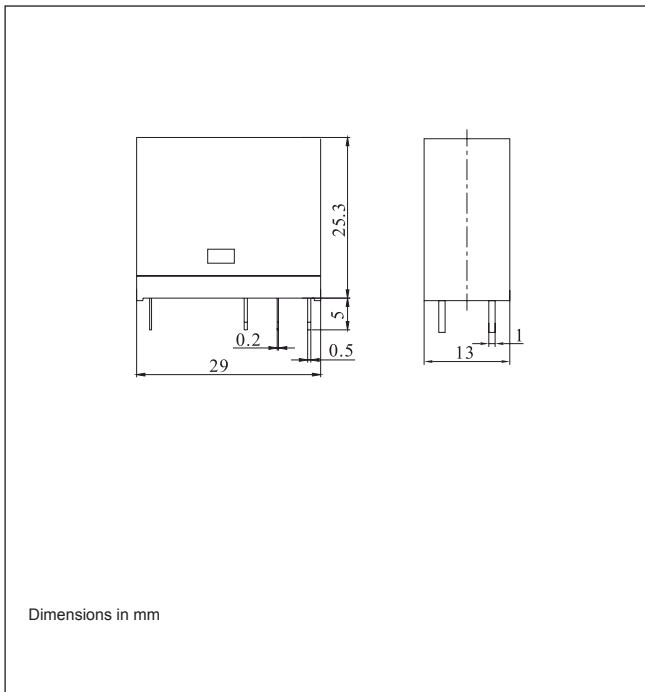
DM41

pcb power relay



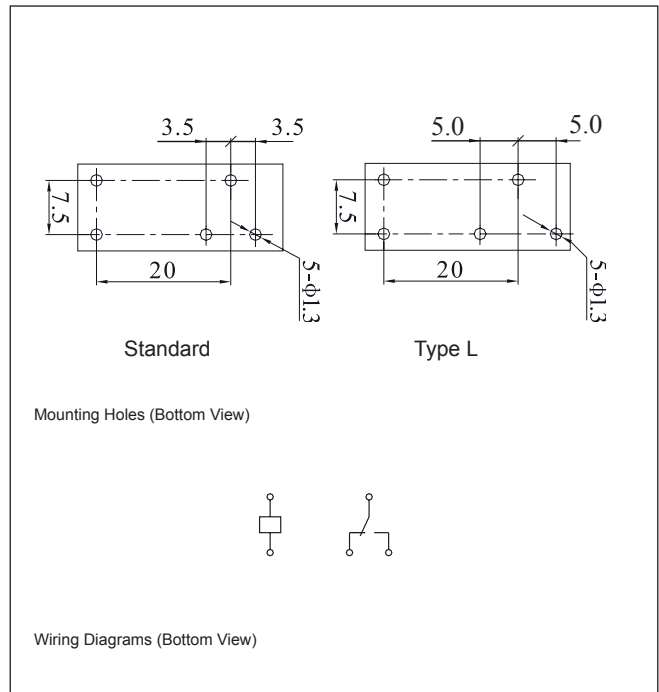
Overall Dimensions

Fig. 1



PCB Mounting Dimensions

Fig. 2



Reference Curves

Fig. 3

