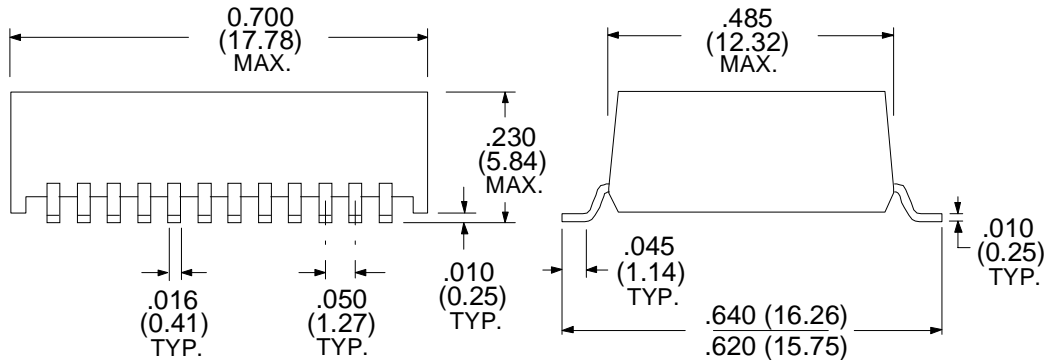
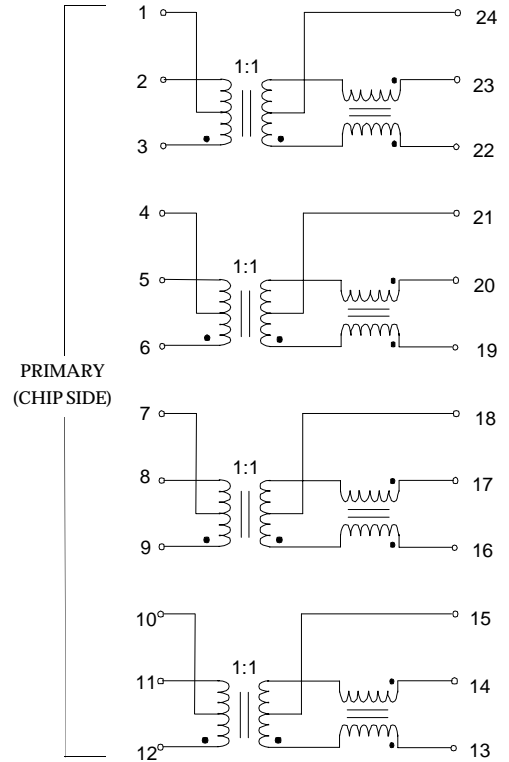


1000BASE - TX SINGLE PORT

24 PIN SMD 1 - PORT 1000BASE - TX MAGNETICS DESIGNED TO MEET REQUIREMENTS OF 1GBIT APPLICATIONS OPERATING TEMPERATURE 0/+70°C.

PARAMETER		UNITS
Turns Ratio	1CT:1CT ± 1%	
Primary DC Resistance	.6 max.	Ω
Secondary DC Resistance	1.0 max.	Ω
Rise Time	1.75	ns
Insertion Loss	0.1 - 1MHz	-1.1 max.
	1 - 65MHz	-0.5 max.
	65 - 100MHz	-0.8 max.
	100 - 125MHz	-1.2 max.
Isolation (HI-POT)	1500	V _{RMS}
Return Loss	0.5 - 40MHz	-18 min.
	40 - 100MHz	-[12-20log(F/80MHz)] min.
Crosstalk	0.1-100MHz	-[33+20log(F/100MHz)] min.
CMRR	2 - 100MHz	-[39-19log(F/50MHz)] min.



Dimensions in inches (mm)

RHOMBUS P/N: **T-1306**

CUST P/N:

NAME:

DATE: **8/26/99**

SHEET: 1 OF 1