

Data sheet | Item number: 787-622

Switched-mode power supply; Classic; 1-phase; 24 VDC output voltage; 5 A output current; 2,50 mm²



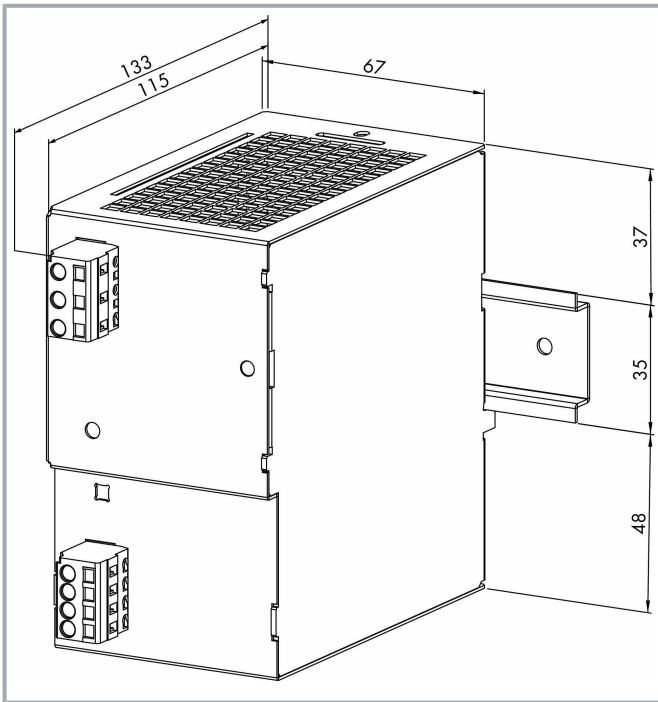
www.wago.com/787-622



Subject to changes. Please also observe the further product documentation!

WAGO Kontakttechnik GmbH & Co. KG
Hansastr. 27
32423 Minden
Phone: +49571 887-0 | Fax: +49571 887-169
Email: info.de@wago.com | Web: www.wago.com

Do you have any questions about our products?
We are always happy to take your call at +49 (571) 887-44222.



Item description

- Switched-mode power supply
- Suitable for protection class I equipment
- Suitable for both parallel and series operation
- Natural convection cooling when horizontally mounted
- Encapsulated for use in control cabinets
- Electrically isolated output voltage (SELV) per EN 60950-1/UL 60950

Data

Technical data

Phases	1
Nominal input voltage $U_{i \text{ nom}}$	1 x AC 100 ... 240 V; DC 140 ... 300 V
Input voltage range	AC 90 ... 264 V; DC 130 ... 300 V
Nominal mains frequency range	50 ... 60 Hz; 0 Hz
Input current I_i	$\leq 0.85 \text{ A (230 VAC)}$
Discharge current	$\leq 0.55 \text{ mA}$
Inrush current	$\leq 30 \text{ A}$
Power factor correction (PFC)	Passive

Subject to changes. Please also observe the further product documentation!

WAGO Kontakttechnik GmbH & Co. KG
 Hansastr. 27
 32423 Minden
 Phone: +49571 887-0 | Fax: +49571 887-169
 Email: info.de@wago.com | Web: www.wago.com

Do you have any questions about our products?
 We are always happy to take your call at +49 (571) 887-44222.



Mains failure hold-up time	≥ 20 ms (230 VAC)
Power loss P_I	≤ 10 W (230 VAC; no load)
Power loss (max.) $P_{I(max)}$	13 W (90 VAC / 24 VDC; 5 A)
Efficiency (typ.)	90 %
Nominal output voltage $U_{o nom}$	DC 24 V (SELV)
Output voltage range	DC 22 ... 28.8 V (adjustable)
Default setting	DC 24 V
Nominal output current $I_{o nom}$	5 A (24 VDC)
Control deviation	≤ 2 %
Residual ripple	≤ 100 mV (peak-to-peak)
Current limitation	1.1 x $I_{o nom}$ (typ.)
Overload behavior	Constant current
Isolation voltage (Pri.-Sec.)	DC 4.242 kV
Isolation voltage (Pri.-GND)	DC 2.2 kV
Isolation voltage (Sec.-GND)	DC 0.7 kV
Protection class	I
Protection type	IP20 (per EN 60529)
Resistance to reverse feed	≤ DC 30 V
Pollution degree	2
Transient suppression (primary)	Varistor
Overvoltage protection; secondary	Internal protective circuit ≤ 40 VDC (in the event of a fault)
Short-circuit-protected	Yes
Open-circuit-proof	Yes
Parallel operation	Yes
Series operation	Yes
Internal fuse	T 4 A / 250 VAC
Required backup fusing	An external DC fuse is required for the DC input voltage.
Recommended backup fusing	Circuit breaker: C10 or B10
Operation status indicator	Green LED (24 V OK)

Connection data

Connection type (1)	Input/Output
Connection technology	CAGE CLAMP®
WAGO Connector	WAGO 231 Series
Solid conductor	0.08 ... 2.5 mm ² / 28 ... 12 AWG

Subject to changes. Please also observe the further product documentation!



Fine-stranded conductor	0.08 ... 2.5 mm ² / 28 ... 12 AWG
Strip length	8 ... 9 mm / 0.31 ... 0.35 inch
Note (conductor cross-section)	12 AWG: THHN, THWN

Physical data

Width	67 mm / 2.638 inch
Height from upper-edge of DIN-rail	133 mm / 5.236 inch
Depth from upper edge of DIN-rail	120 mm / 4.724 inch

Mechanical data

Mounting type	DIN-35 rail
---------------	-------------

Material data

Fire load	4.8 MJ
Weight	790 g

Environmental requirements

Surrounding air temperature (operation)	-10 ... 70 °C
Surrounding air temperature (storage)	-25 ... 85 °C
Relative humidity	30 ... 85 % (no condensation permissible)
Derating	-3 %/K (> 50 °C)

Standards and specifications

Conformity marking	CE
Standards/Specifications	EN 60950-1 EN 61204-3 UL 60950 UL 508 GL

Commercial data

Product Group	6 (Interface Electronics)
PU (SPU)	1 Stück
Packaging type	box
Country of origin	DE
GTIN	4045454435349
Customs tariff number	85044082900



Subject to changes. Please also observe the further product documentation!

Approvals / Certificates

Ship Approvals

Logo	Approval	Additional Approval Text	Certificate name
	DNV GL Det Norske Veritas, Germanischer Lloyd	-	TAA00002J6

UL-Approvals

Logo	Approval	Additional Approval Text	Certificate name
	UL Underwriters Laboratories Inc.	UL 508	E255817
	UL Underwriters Laboratories Inc.	UL 60950-1	E255815

Downloads

Documentation

Bid Text

787-622 docx - Datei	2019. 6. 13.	docx 21.1 kB	Download
787-622 X81 - Datei	2019. 6. 13.	xml 6.9 kB	Download

Instruction Leaflet

Primär getaktete Stromversorgungen CLASSIC DC 24 V, 5 A		pdf 246.0 kB	Download
--	--	-----------------	----------

Additional Information

Disposal; Electrical and electronic equipment, Packaging	V 1.0.0	pdf 265.8 kB	Download
--	---------	-----------------	----------

CAD/CAE-Data

Subject to changes. Please also observe the further product documentation!

WAGO Kontakttechnik GmbH & Co. KG
Hansastr. 27
32423 Minden
Phone: +49571 887-0 | Fax: +49571 887-169
Email: info.de@wago.com | Web: www.wago.com

Do you have any questions about our products?
We are always happy to take your call at +49 (571) 887-44222.



CAD data

2D/3D Models 787-622	URL	Download
----------------------	---------------------	--------------------------

CAE data

EPLAN Data Portal 787-622	URL	Download
---------------------------	---------------------	--------------------------

WSCAD Universe 787-622	URL	Download
------------------------	---------------------	--------------------------

ZUKEN Portal 787-622	URL	Download
----------------------	---------------------	--------------------------

Environmental Product Compliance

Compliance Search

Environmental Product Compliance 787-622	URL	Download
--	---------------------	--------------------------

Switched-mode power supply; Classic; 1-phase; 24 VDC output voltage; 5 A output current; 2,50 mm²

Installation Notes

Product family

EPSITRON CLASSIC Power

EPSITRON® CLASSIC POWER: The Robust Power Supply – with Integrated TopBoost (Optional)

[Show all products from the family](#)

Subject to changes. Please also observe the further product documentation!