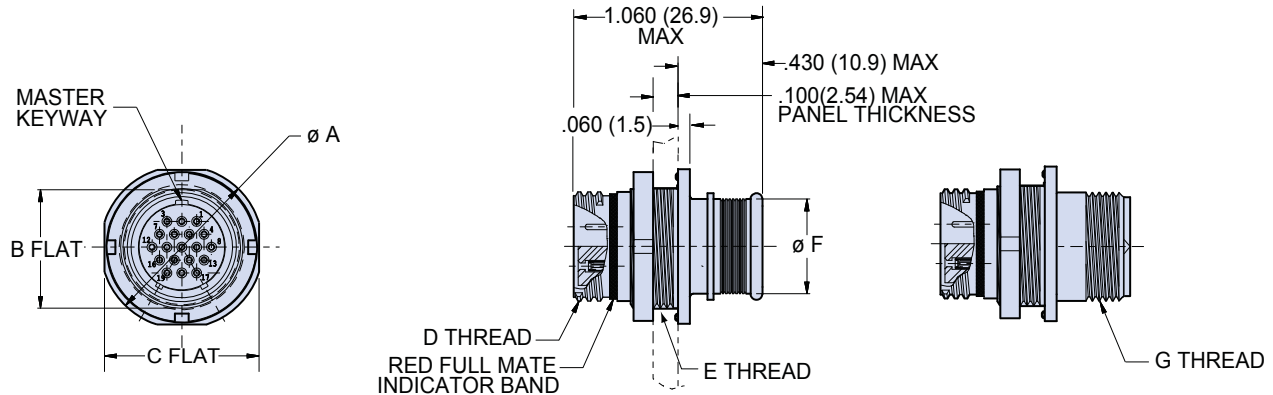


801-037-01 and 801-040-01
 Series 801 Mighty Mouse *High-Speed*
 Double-Start ACME Threads
 -07 Jam Nut Receptacle Dimensions



Integral Band Platform
 801-037-07

Accessory Thread
 801-040-07

Dimensions											
Shell Size	Ø A		B Flat		C Flat		D Thread	E Thread UN-2A	Ø F		G Thread UN-2A
	In.	mm.	In.	mm.	In.	mm.			In.	mm.	
6	.635	16.13	.410	10.41	.595	15.11	.375-.05P-1L-2A	.4375-28	.290	7.37	.3125-32
7	.755	19.18	.536	13.61	.723	18.36	.4375-.05P-1L2A	.5625-32	.390	9.91	.4375-28

Series 801 Jam Nut Panel Cutout				
Shell Size	A Flat		Ø B	
	In.	mm.	In.	mm.
	6	.420	10.66	.448
7	.551	13.99	.573	14.55

Key Positions		
	A°	B°
A	150°	210°
B	75°	210°
C	95°	230°
D	140°	275°
E	75°	275°
F	95°	210°

High Speed Performance	
Impedance	100 OHMS ±7 OHMS at 100-Picosecond
VSWR	<1.4 up to 4-GHz

Insertion Loss	
1 GHz	.51 dB
2 GHz	.53 dB
3 GHz	.57 dB
4 GHz	1.2 dB
5 GHz	1.25 dB

Data taken with adjacent pairs and grommet removed.

Material and Finish

Plug Barrel, Coupling Nut: Aluminum Alloy or Stainless Steel
 Insulator: PFA
 Interfacial Seal, Grommet Seal: Fluorosilicone
 Contact: Copper Alloy, 50 Microinch Gold Plated per ATSM B 488, Type II, Code C, Class 1.25 (.00005 Min THK), over a suitable underplate.

In order to achieve high speed performance, this Connector must be mated to another high speed Mighty Mouse Connector.

This Connector mates with all Quick Coupling High Density Plug Connectors with same polarization and opposite contact gender, (801-001, 801-002 and 801-007 and 801-008).

Dimensions in Inches (millimeters) are subject to change without notice.