

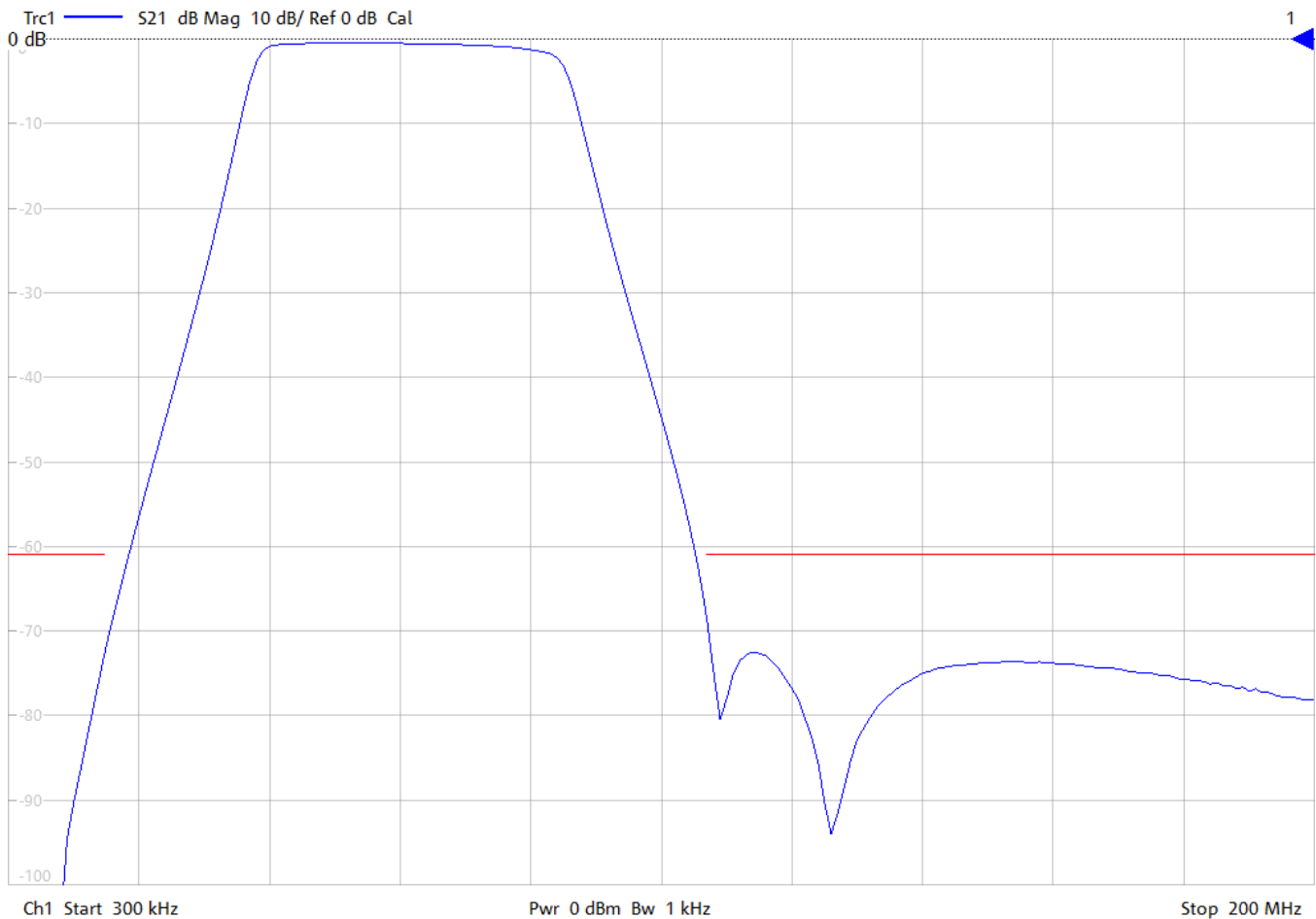
## General Description

KR Electronics part number 3360+ is a 60 MHz Bandpass filter. The filter has a minimum 1 dB bandwidth of 40 MHz. Other center frequencies and bandwidths are available. Please consult the factory.

## Features

- 60 MHz Bandpass Filter
- 1 dB BW 40 MHz min,
- 60 dB BW 92 MHz max
- Selective Elliptic Response
- 50  $\Omega$  Source and Load
- Other frequencies available
- Surface Mount
- SMA also available

## Typical Performance



KR Electronics, Inc.  
91 Avenel Street  
Avenel, NJ 07001

Web [www.krfilters.com](http://www.krfilters.com)  
Email [sales@krfilters.com](mailto:sales@krfilters.com)  
Phone (732) 636-1900  
Fax (732) 636-1982

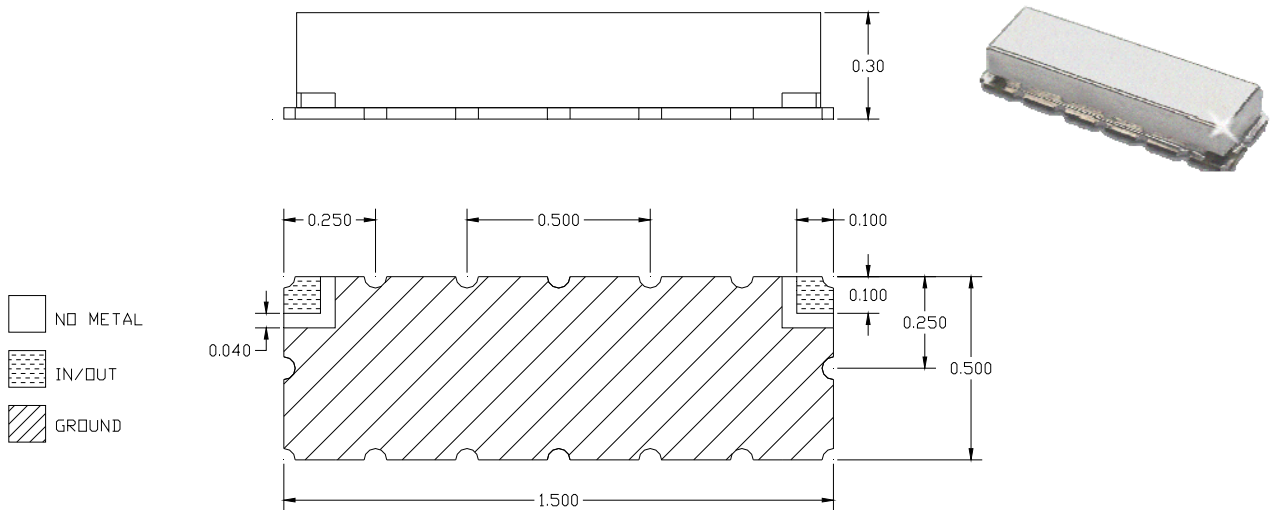


# KR Electronics 3360+

## Specifications

Parameter	Specification	Notes
Filter type	Bandpass	
Center Frequency	60 MHz	
Insertion Loss at Fc	1 dBa max	0.6 dBa typical
1 dBc Bandwidth	40 MHz min	42.6 MHz typical
3 dBc Bandwidth	47 MHz typical	
40 dBc Bandwidth	73 MHz typical	
60 dBc Bandwidth	92 MHz max	87 MHz typical
Source and Load	50 Ω	

## Physical Dimensions



**Notes:**

1. Surface mount package — Metal cover open frame
2. Dimensions in inches
3. Maximum reflow temperature is 230° C for 10 sec maximum.
4. If boards are cleaned after installation, units must be completely dried.
5. Also available in a case with SMA connectors

KR Electronics, Inc.  
 91 Avenel Street  
 Avenel, NJ 07001

Web [www.krfilters.com](http://www.krfilters.com)  
 Email [sales@krfilters.com](mailto:sales@krfilters.com)  
 Phone (732) 636-1900  
 Fax (732) 636-1982