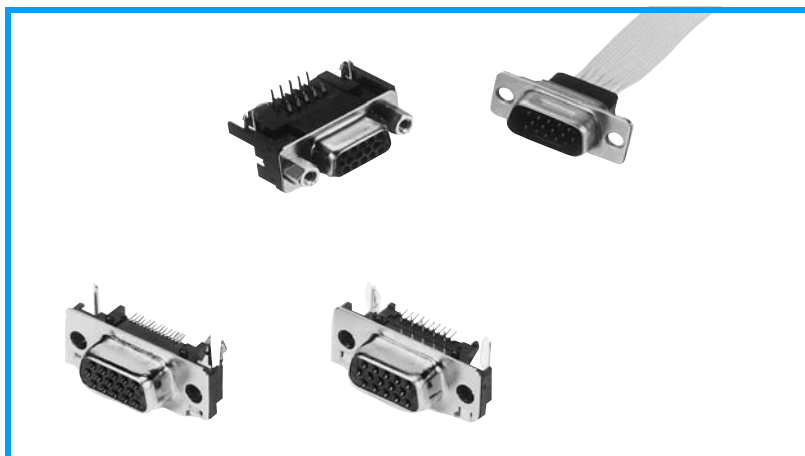


MIL-C-24308-Compatible High-Density Crimp Type



FEATURE

- High-density D-sub connector compatible to MIL-C-24308. It is called “high-density” because 9-contacts shell contains 15 contacts.
- Receptacles (socket contact) come in three types : conventional “L-shaped DIP type” , and space-saving “L-shaped DIP type” and “SMT type” .
- The space-saving types are lower by 2mm in mounting height than the conventional type, and best suited to high-density mounting because the area (front and back) they occupy on PCB is smaller by 50% or 70% in the case of L-shaped DIP- or SMT-type, respectively, than conventional ones.
- Plug (pin contact) consists of crimp-type press-contacts, and is compatible with three types of cables (AWG 30, 28 and 26) and existing 17JE type hood.

SPECIFICATION

Voltage Rating	250V AC (r.m.s.)
Current Rating	1A/Contact
Dielectric Withstanding Voltage	1,000V AC (r.m.s.)/for 1 minute
Insulation Resistance	5,000M Ω min. at 500V DC
Contact Resistance	20m Ω max.
Wire Accommodation	AWG30, 28, 26, 24 Insulator Jacket Diam. ϕ 0.8 to ϕ 1.21

MATERIAL/FINISH

P/N	MATERIAL/FINISH
Block	PBT resin/(UL94V-0)/color black PPS resin/(UL94V-0)/color black
Shell	Brass/Nickel Plating
Contact	Copper alloy/Mating area : Gold over Nickel Plating, Tail area : Sn-Ag over Nickel Plating
Hood	ABS resin/Nickel Plating

Cautions about Use

Use connector on a panel fixed on PCB by fastening it on the panel with small screws or engaging block

Receptacle Connector [Without Jack Socket]

17HE-R13150-73-FA

CONNECTOR STYLE

R : Right angle DIP type
 B : Space-Saving Right angle DIP type
 C : Space-Saving Right angle SMT type

NO.OF.CONTACTS

15

CONTACT PLATING

7 : Mating area : 0.4 μ m Gold over Nickel plating
 Tail area : Sn-Ag over Nickel plating
 8 : Mating area : Gold flash over Nickel plating
 Tail area : Sn-Ag over Nickel plating

Ground Tab Type P.C.B thickness

<Tail shape R>

N : None	—
1 : M3 × 0.5 tapping-hole ground tab	—
2 : ϕ 3.4 through-hole ground tab	—
3 : M3 × 0.5 tapping-hole ground tab	t = 1.6 $\begin{matrix} +0.25 \\ -0.15 \end{matrix}$
4 : M2.6 × 0.45 tapping-hole ground tab	t = 1.6 $\begin{matrix} +0.25 \\ -0.15 \end{matrix}$
5 : Through-hole lock pin ground tab	t = 1.6 $\begin{matrix} +0.25 \\ -0.15 \end{matrix}$
6 : #4-40UNC tapping-hole ground tab	t = 1.6 $\begin{matrix} +0.25 \\ -0.15 \end{matrix}$

<Tail shape B>

0 : ϕ 2.4 through-hole ground tab	—
4 : Lock Pin Ground Tab	t = 1.6 $\begin{matrix} +0.25 \\ -0.15 \end{matrix}$
5 : Lock Pin Ground Tab	t = 1.2 ± 0.19
6 : Lock Pin Ground Tab	t = 1.0 ± 0.18

<Tail shape C>

0 : ϕ 2.4 through-hole ground tab	—
1 : Single Lock Pin Ground Tab	t = 1.6 $\begin{matrix} +0.25 \\ -0.15 \end{matrix}$
2 : Single Lock Pin Ground Tab	t = 1.2 ± 0.19
3 : Single Lock Pin Ground Tab	t = 1.0 ± 0.18

Receptacle Connector [With Jack Socket]

17HE-B13150-73HA2-CA

CONNECTOR STYLE

R : Right angle DIP type
 B : Space-Saving Right angle DIP type
 C : Space-Saving Right angle SMT type

NO.OF.CONTACTS

15

CONTACT PLATING

7 : Mating area : 0.4 μ m Gold over Nickel plating
 Tail area : Sn-Ag over Nickel plating
 8 : Mating area : Gold flash over Nickel plating
 Tail area : Sn-Ag over Nickel plating

Ground Tab Type P.C.B thickness

<Tail shape R>

N : None	—
1 : M3 × 0.5 tapping-hole ground tab	—
2 : ϕ 3.4 through-hole ground tab	—
3 : M3 × 0.5 tapping-hole ground tab	t = 1.6 $\begin{matrix} +0.25 \\ -0.15 \end{matrix}$
4 : M2.6 × 0.45 tapping-hole ground tab	t = 1.6 $\begin{matrix} +0.25 \\ -0.15 \end{matrix}$
5 : Through-hole lock pin ground tab	t = 1.6 $\begin{matrix} +0.25 \\ -0.15 \end{matrix}$
6 : #4-40UNC tapping-hole ground tab	t = 1.6 $\begin{matrix} +0.25 \\ -0.15 \end{matrix}$

<Tail shape B>

0 : ϕ 2.4 through-hole ground tab	—
4 : Lock Pin Ground Tab	t = 1.6 $\begin{matrix} +0.25 \\ -0.15 \end{matrix}$
5 : Lock Pin Ground Tab	t = 1.2 ± 0.19
6 : Lock Pin Ground Tab	t = 1.0 ± 0.18

<Tail shape C>

0 : ϕ 2.4 through-hole ground tab	—
1 : Single Lock Pin Ground Tab	t = 1.6 $\begin{matrix} +0.25 \\ -0.15 \end{matrix}$
2 : Single Lock Pin Ground Tab	t = 1.2 ± 0.19
3 : Single Lock Pin Ground Tab	t = 1.0 ± 0.18

Event that uses Jack Socket : CA

METHOD OF DELIVERY (Jack Socket)

1 : With Jack socket (UN-assembled)
 2 : With Jack socket (assembled)

JACK SOCKET THREAD SIZE

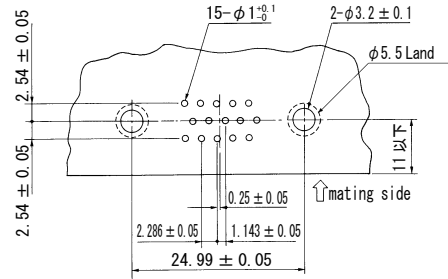
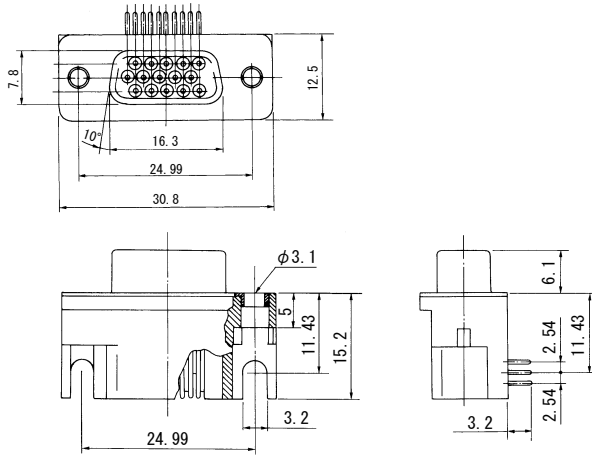
A : M2.6 × 0.45 (Standard)
 B : M3 × 0.5
 C : #4-40UNC

DIMENSION B, OF JACK SOCKET

H : Jack Socket (17L-003X26-CF)
 (Panel thickness : 0.9~1.3mm)
 K : Jack Socket (17L-003X32-CF)
 (Panel thickness : 0.5~0.8mm)

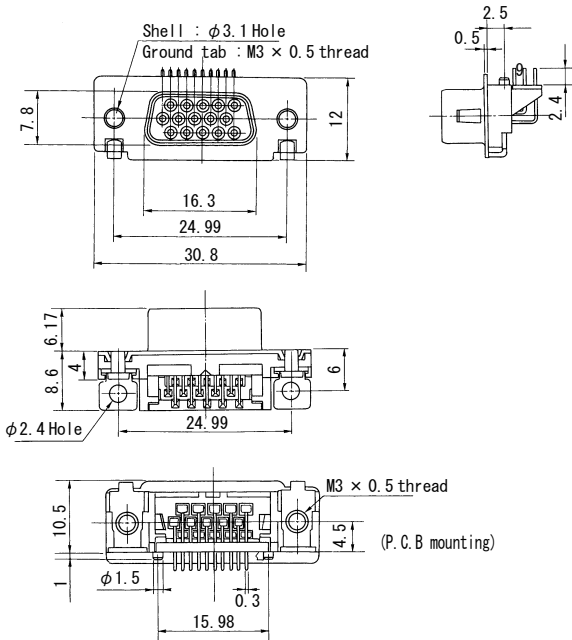
L
17HE

Right-Angle Receptacle Connector

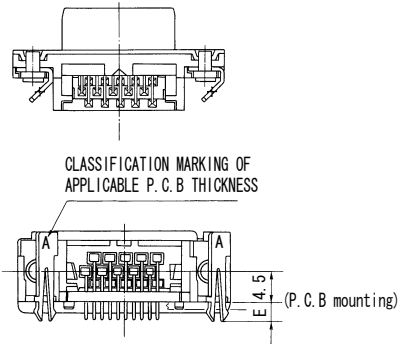


P.C.B. Mounting Dimensions
(Connector Mounting Side)

Space-Saving Right-Angle Receptacle Connector

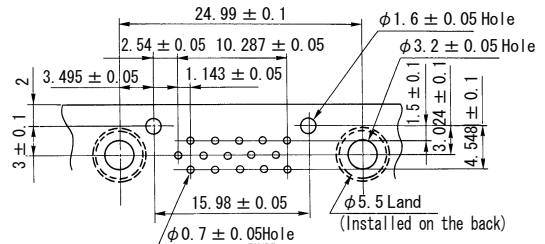
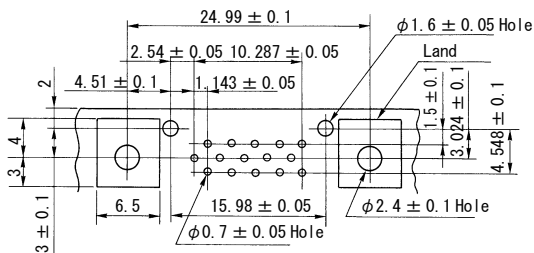


P/N	E	Mark	P.C.B thickness
17HE-B13150-□4-FA	3.2	A	t=1.6
17HE-B13150-□5-FA	2.8	B	t=1.2
17HE-B13150-□6-FA	2.6	C	t=1.0

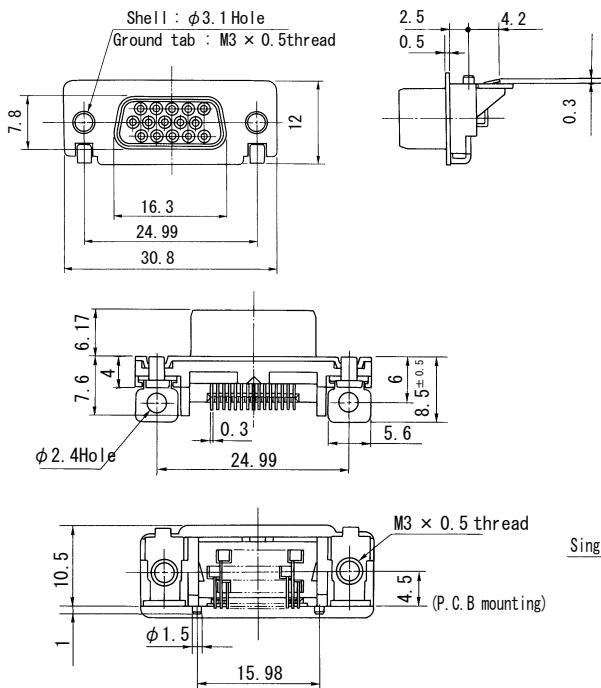


Through-hole Ground Tab Type

Lock Pin Ground Tab Type

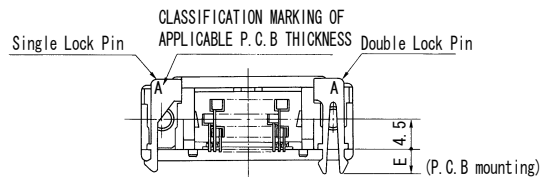
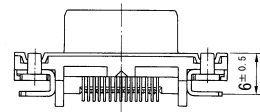
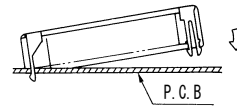


Space-Saving Right-Angle SMT Receptacle Connector



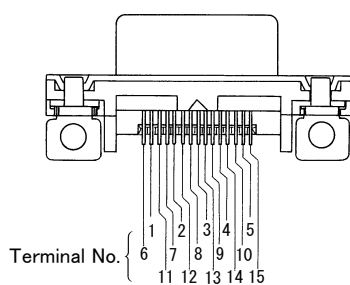
Through-hole Ground Tab Type

* With single lock-pin ground-tab type, attach single lock-pin to PCB first, then double lock-pin to complete mounting. (Mounting is easier, requiring only about a half of force for insertion.)



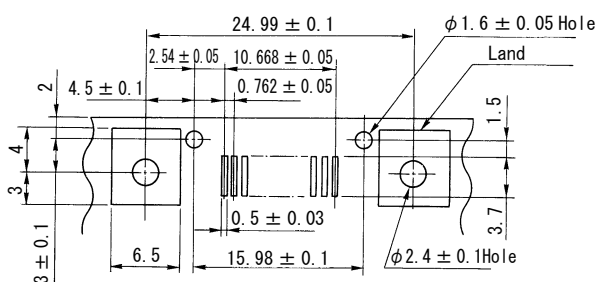
Single Lock Pin Ground Tab Type

P/N	E	Mark	P.C.B thickness
17HE-C13150-□1-FA	4.0	A	t=1.6
17HE-C13150-□2-FA	3.6	B	t=1.2
17HE-C13150-□3-FA	3.4	C	t=1.0



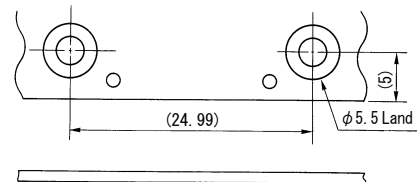
Arrangement of terminal Nos.

Through-hole ground tab type

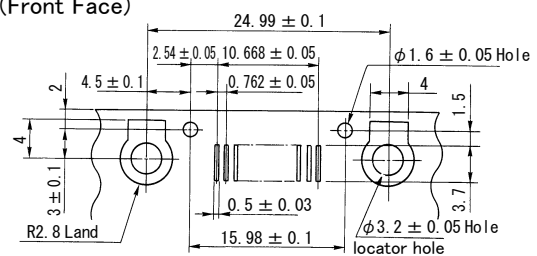


Lock Pin Ground Tab

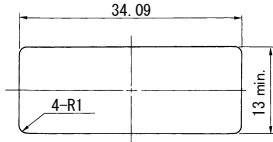
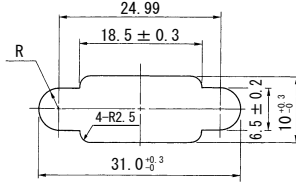
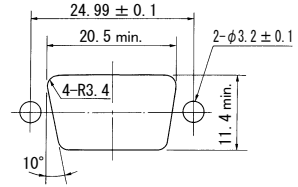
(Back Face)



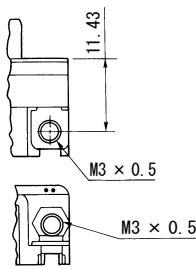
(Front Face)



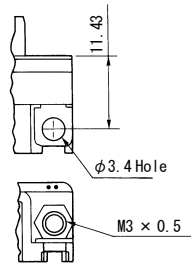
PCB Mounting Dimensions (mounted on the back)

Type1 Connector cannot be fixed on panel.

Type2 Connector cannot be fixed on panel.

Type3 Connector cannot be fixed on panel.


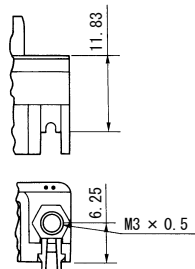
Shape of Ground Tab


Type1

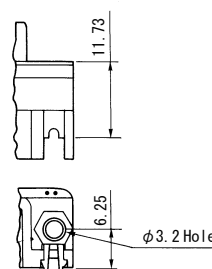
Tapping-hole ground tab (press-fit)
 Designation : 17L-004K
 Material/finish : Cu/Ni-plating
 Note) Cannot be used in combination with stud 17L-002□


Type2

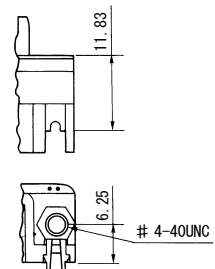
Through-hole ground tab (press-fit)
 Designation : 17L-004H
 Material/finish : Cu/Ni-plating
 Note) Cannot be used in combination with stud 17L-002□


Type3

Lock pin ground tab with tapping hole (press-fit)
 Designation : 17L-004E-FA
 Material/finish : Cu alloy/solder-plating
 Note) Cannot be used in combination with stud 17L-002□


Type5

Lock pin ground tab with through-hole (press-fit)
 Designation : 17L-004C-FA
 Material/finish : Cu alloy/solder-plating
 Note) Cannot be used in combination with jack socket 17H-003A-□□.


Type6

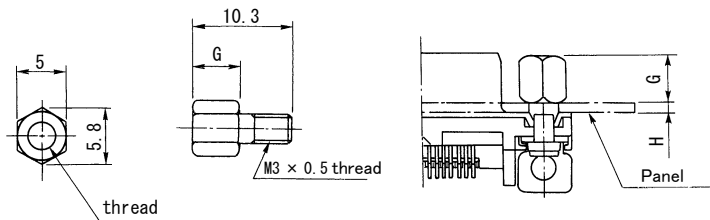
#4-40UNC thread
 Designation : 17L-004V-FA
 Material/finish : Cu alloy/Sn-Ag plating
 Note) Cannot be used in combination with stud 17L-002□.

Engaging Block

● Jack Socket (material/finish : brass/Ni-plating)

(Type fastened to panel from both sides)

P/N	G	H :Panel thickness
17L-003□26-CF	4.8	0.9~1.3
17L-003□32-CF	5.3	0.5~0.8



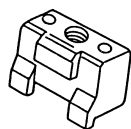
□ : Thread size

A : M2.6 × 0.45(Standard)

B : M3 × 0.5

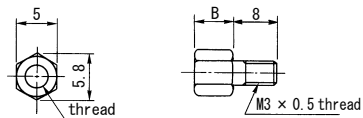
C : #4-40UNC

● Stud (Material/Finish : Zn die-cast/Ni plating)


 P/N : 17L-002□
 Mounting hole : type 1

□ in the designation above stands for type of engaging screw.

• Jack Socket(Material/Finish : Brass/Ni Plate)



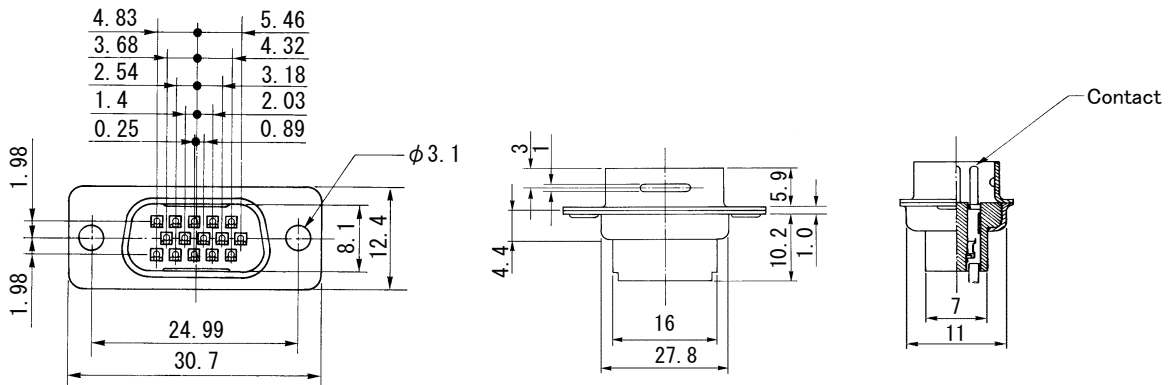
P/N	G	H :Panel	Hole
17H-003A-CF	4.8	Panel thickness : 0.9~1.3	Type3
17H-003A-CF	5.3	Panel thickness : 0.8max.	Type3
17H-003A-CF	6.1	Not fastened to panel from both sides.	Type2

■ Plug Connector (Crimp Type)

17HE-23150-C

NO. OF CONTACTS
15

SHAPE OF BLOCK
C : Crimp type



■ Crimp Pin Contact

17H-2PCR-102(P500)

CONTACT PLATING

- 2 : Mating area : 0.4 μ m Gold over Nickel plating
Tail area : Gold flash over Nickel plating
- 3 : Mating area : Gold flash over Nickel plating
Tail area : Gold flash over Nickel plating

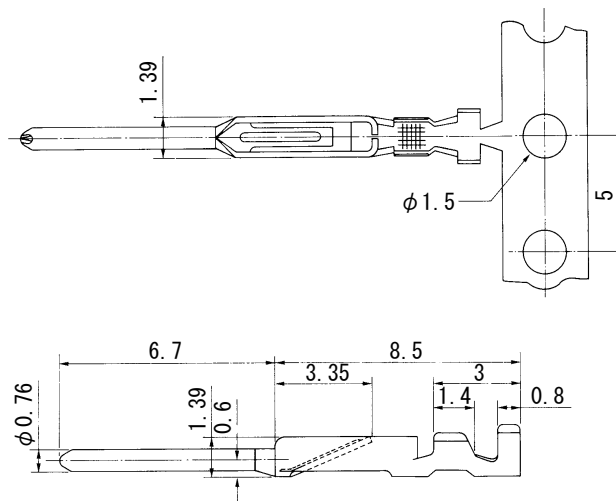
P : Pin type

NO. OF CONTACTS

- P500 : 500 Contacts/Pack
- R10000 : 10000 Contacts/Reel

R : Rear release type

C : Crimp type



L
17HE

Tools

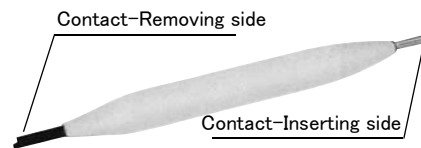
● Manual wiring tool

Designation- 357J-14443 (compatible wires :
AWG #26 to 30)



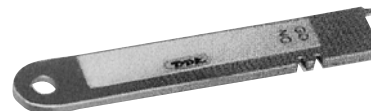
● Tool for inserting/removing contact

Designation : 357J-10629



● Tool for erecting contact ratch

Designation : 357J-10628



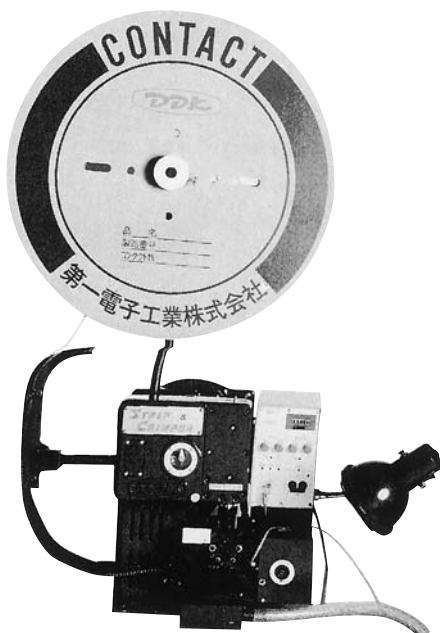
● Semi-automatic crimping machine

Stripper crimper

Designation : AP-A13980 (including press unit)
Power supply : AC100V (0.2kW)
Weight : 88kg

Crimper

Designation : AP-A13981 (including press unit)
Power supply : AC100V
Weight : 45kg



L
17HE