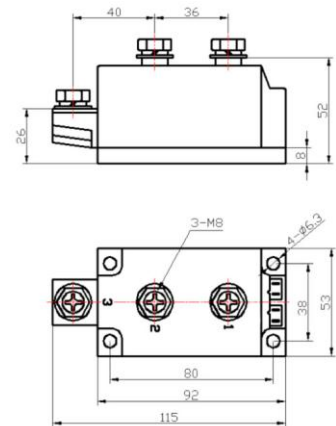


Feature

- International standard package
- Low forward voltage drop
- Isolation voltage 2500V

Application

- AC/DC machinery control
- Rectifying power supply
- Frequency converters



Symbol	Parameter	Rating				Unit
		AMS-IRDC250-08 AMS-IRDA250-08 AMS-IRDK250-08	AMS-IRDC250-12 AMS-IRDA250-12 AMS-IRDK250-12	AMS-IRDC250-14 AMS-IRDA250-14 AMS-IRDK250-14	AMS-IRDC250-16 AMS-IRDA250-16 AMS-IRDK250-16	
V_{RRM}	Peak reverse repetitive voltage	800	1200	1400	1600	V
V_{RSM}	Peak reverse non-repetitive voltage	960	1300	1500	1700	V

Maximum ratings:

Symbol	Parameter	Test condition	Rating	Unit
I_{FAV}	Average forward current	180° sine half wave, 50HZ single side heat dissipation $T_C=100$	250	A
I_{FSM}	Forward surge current	$t=10ms, 50HZ, sin, T_{jm}$	11000	A
I^2t	I^2t value	$V_R = 0.6V_{RRM} T_{jm}$	617000	A ² S
V_{ISO}	Isolation voltage	AC one minute	2500	V
T_j	Operating junction temperature		-40 to +150	C
T_{jm}	Rated junction temperature		150	C
T_{stg}	Storage temperature		-40 to +125	C
Md	Mounting torque copper plate M6		4	N·m
	Mounting torque terminal M8		12	N·m
W_t	Weight		900	g

Electrical characteristics:

Symbol	Parameter	Test condition	Rating	Unit
I_{RRM}	Peak off-state repetitive current	$V_D=V_{DRM}$, sine half wave, T_{jm}	20	mA
V_{FM}	Peak forward voltage	$I_{FM}=1000A$, $T_j=25\text{ C}$	1.4	V
$R_{th(j-c)}$	Thermal resistance junction-case	Single-side heat dissipation, sine half wave	0.14	CW

