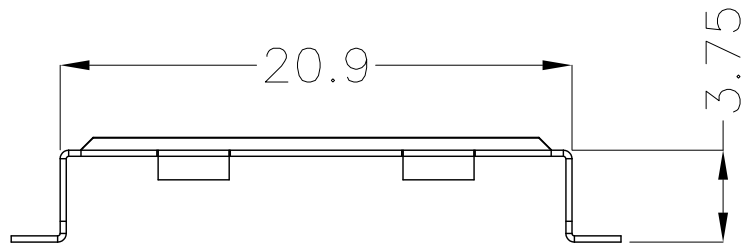
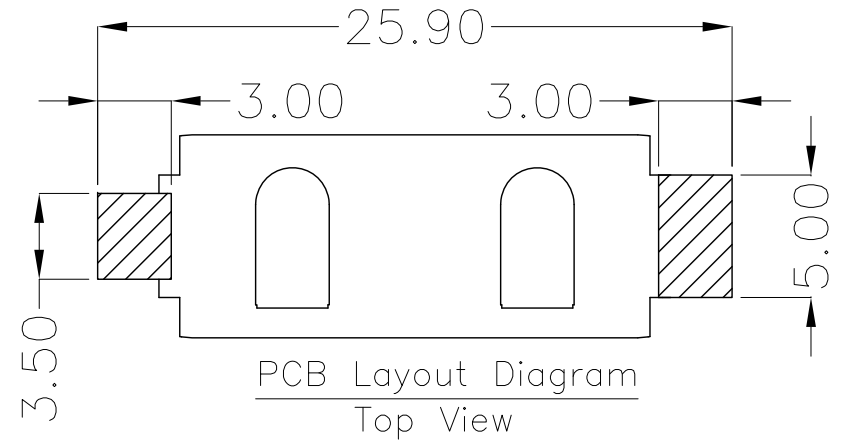
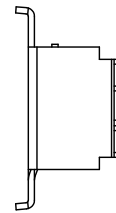
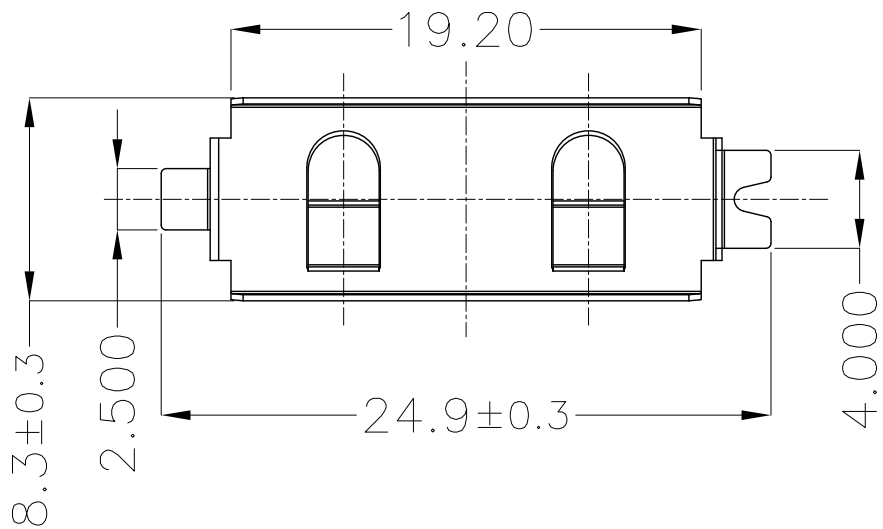




REV.	ECN NO.	REVISED	DATE



工程部
2018-10-25
LQ. HUANG

UNLESS OTHERWISE SPECIFIED TOLERANCES		MYOUNG 美阳 www.meiyangdz.com	
DECIMALS: X :±0.30 X.X :±0.25 X.XX :±0.20 X.XXX :±0.10	ANGLES: X :±1° X.X :±0.5°	DSND YangFeng	DATE 2017-11-22
		CHKD ZhouRuicai	DATE 2017-11-22
		APVD XueShunyong	DATE 2017-11-22
WEIGHT: 0.47g		SCALE:3.5:1	SIZE: A4
SHEET 1 OF 1		VIEW:	
		UNIT: mm	REV.: A/0
		OBJECT: MY	
		TITLE: 电池扣CR2032-H SMT	
		PART NO.: MY-2032-10	
		DRAW NO.:MY-CP-0153	

1	TERMINAL(+)	1	PHOSPHOR BRONZE, T=0.25mm	Ni-Plating
NO.	PART NAME	Q'TY	MATERIAL	PLATING & COLOR