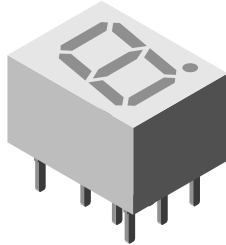


High Intensity Red Low Current Seven Segment Display



19235

DESCRIPTION

This series defines a new standard for low current displays. It is a single digit 7-segment LED display utilizing AlInGaP technology in color red.

The supreme light intensity allows applications under direct sunlight or “black front” designs by using tinted filter glass in front of the display.

Typical 1500 μcd at 1 mA is best in class performance for applications with very limited power supply. The maximum forward current of 10 mA is allowed for an ambient temperature range of - 40 °C to + 85 °C without current derating.

Crosstalk between segments is possible at drive currents above 5 mA per segment. Therefore it is recommend to apply more than 5 mA only under direct sunlight or with tinted filter glass.

FEATURES

- 1500 μcd typical at 1 mA
- Very low power consumption
- Wide viewing angle
- Grey package surface
- Light intensity categorized at $I_F = 1 \text{ mA}$
- Compliant to RoHS directive 2002/95/EC and in accordance to WEEE 2002/96/EC


RoHS
COMPLIANT

APPLICATIONS

- Battery driven instruments
- Telecom devices
- Home appliances
- Instrumentation
- POS terminals

PRODUCT GROUP AND PACKAGE DATA

- Product group: display
- Package: 7 mm
- Product series: low current
- Angle of half intensity: $\pm 50^\circ$

PARTS TABLE

| PART | COLOR | LUMINOUS INTENSITY AT 1 mA | CIRCUITRY |
|-------------|-------|---|----------------|
| TDSR0750 | Red | $I_V = (180 \text{ to } 2200) \mu\text{cd}$ | Common anode |
| TDSR0750-HI | Red | $I_V = (700 \text{ to } 2200) \mu\text{cd}$ | Common anode |
| TDSR0760 | Red | $I_V = (180 \text{ to } 2200) \mu\text{cd}$ | Common cathode |

ABSOLUTE MAXIMUM RATINGS ⁽¹⁾ TDSR0750, TDSR0750-HI, TDSR0760

| PARAMETER | TEST CONDITION | SYMBOL | VALUE | UNIT |
|---|--|------------|--------------|------------------|
| Reverse voltage per segment | | V_R | 5 | V |
| DC forward current per segment | | I_F | 10 | mA |
| Peak forward current per segment | $t_p \leq 10 \mu\text{s}$, duty cycle 1/10 | I_{FM} | 50 | mA |
| Power dissipation | $T_{amb} \leq 85^\circ\text{C}$ | P_V | 185 | mW |
| Junction temperature | | T_j | 105 | $^\circ\text{C}$ |
| Operating temperature range | | T_{amb} | - 40 to + 85 | $^\circ\text{C}$ |
| Storage temperature range | | T_{stg} | - 40 to + 85 | $^\circ\text{C}$ |
| Soldering temperature | $t \leq 3 \text{ s}$, 2 mm below seating plane | T_{sd} | 260 | $^\circ\text{C}$ |
| Thermal resistance LED junction/ambient | | R_{thJA} | 100 | K/W |

Note

⁽¹⁾ $T_{amb} = 25^\circ\text{C}$, unless otherwise specified

| OPTICAL AND ELECTRICAL CHARACTERISTICS ⁽¹⁾ TDSR0750, TDSR0750-HI, TDSR0760, RED | | | | | | | |
|--|----------------------|---------------------------------------|-------------|------|------|------|----------------|
| PARAMETER | TEST CONDITION | PART | SYMBOL | MIN. | TYP. | MAX. | UNIT |
| Luminous intensity per segment (digit average) | $I_F = 1 \text{ mA}$ | TDSR0750 | I_V | 180 | - | 2200 | μcd |
| | | TDSR0760 | | 180 | - | 2200 | |
| | | TDSR0750-HI | | 700 | - | 2200 | |
| Dominant wavelength | $I_F = 1 \text{ mA}$ | TDSR0750, TDSR0750-HI, TDSR0760 | λ_d | - | 640 | - | nm |
| Peak wavelength | $I_F = 1 \text{ mA}$ | | λ_p | - | 650 | - | nm |
| Forward voltage per segment or DP | $I_F = 1 \text{ mA}$ | | V_F | - | 1.8 | 2.4 | V |
| Reverse voltage per segment or DP | $V_R = 6 \text{ V}$ | | I_R | - | 10 | - | μA |

Note

(1) $T_{\text{amb}} = 25 \text{ }^\circ\text{C}$, unless otherwise specified

| LUMINOUS INTENSITY CLASSIFICATION | | | |
|-----------------------------------|------------------------------------|------|------|
| GROUP | LIGHT INTENSITY (μcd) | | |
| | STANDARD | MIN. | MAX. |
| E | | 180 | 360 |
| F | | 280 | 560 |
| G | | 450 | 900 |
| H | | 700 | 1400 |
| I | | 1100 | 2200 |

Note

The above type numbers represent the order groups which include only a few brightness groups. Only one group will be shipped in one tube (there will be no mixing of two groups in one tube). In order to ensure availability, single brightness groups will not be orderable.

TYPICAL CHARACTERISTICS

$T_{\text{amb}} = 25 \text{ }^\circ\text{C}$, unless otherwise specified

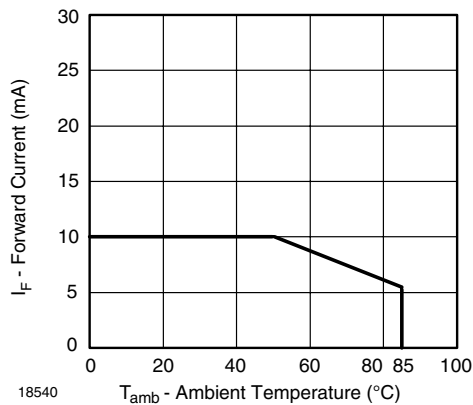


Fig. 1 - Forward Current vs. Ambient Temperature

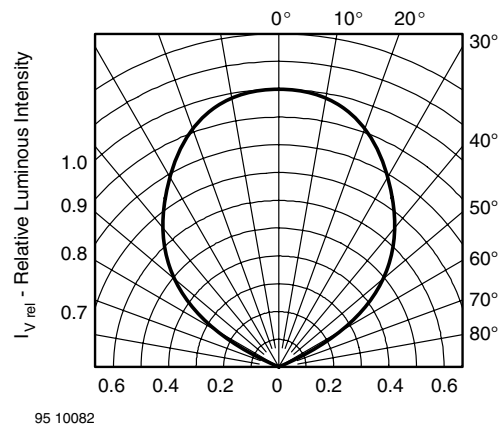


Fig. 2 - Rel. Luminous Intensity vs. Angular Displacement

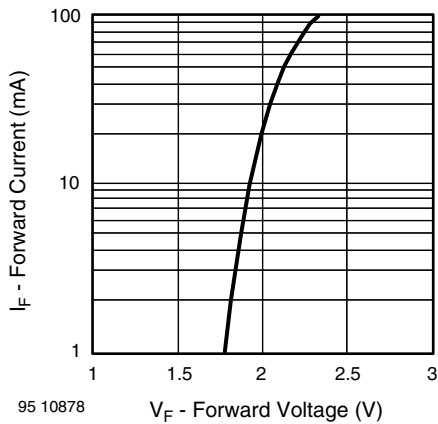


Fig. 3 - Forward Current vs. Forward Voltage

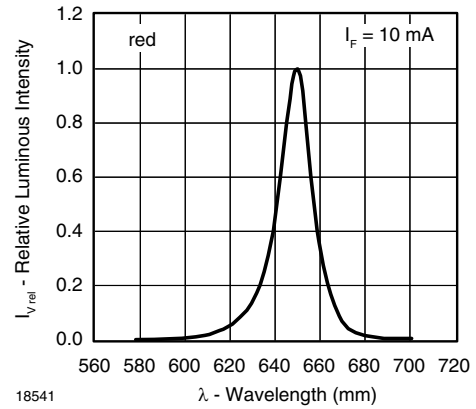


Fig. 6 - Rel. Luminous Intensity vs. Ambient Temperature

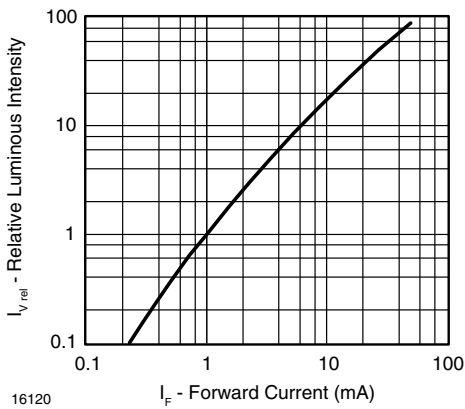


Fig. 4 - Relative Luminous Intensity vs. Forward Current

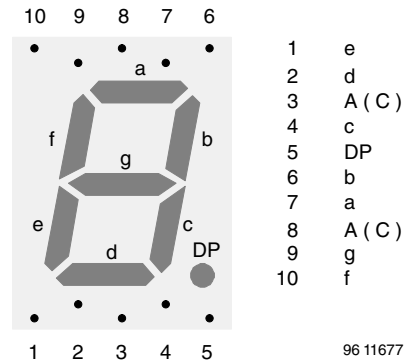


Fig. 7 - TDSR07..

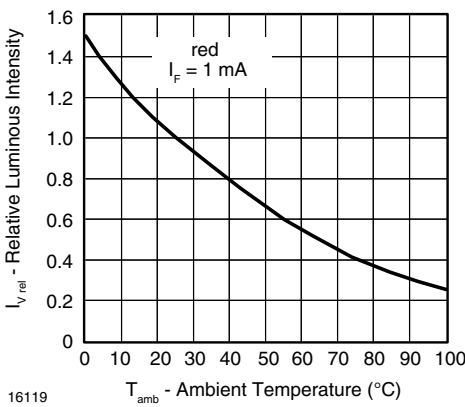


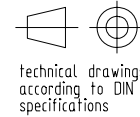
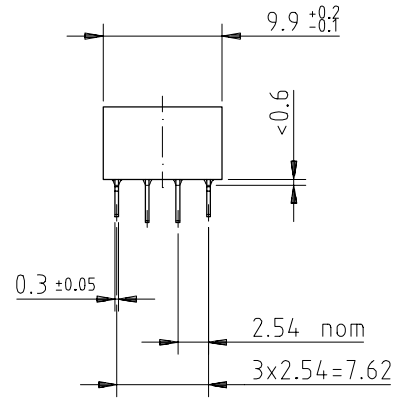
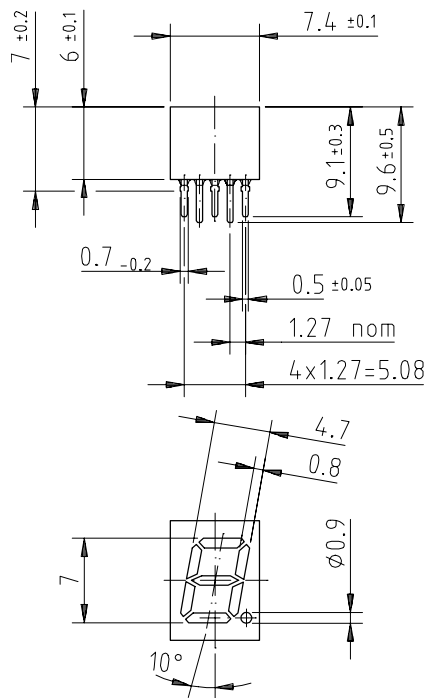
Fig. 5 - Rel. Luminous Intensity vs. Ambient Temperature

TDSR0750, TDSR0760

Vishay Semiconductors High Intensity Red Low Current
Seven Segment Display



PACKAGE DIMENSIONS FOR TDSR07.. in millimeters



Drawing-No.: 6.544-5083.01-4
Issue: 1; 21.11.95
95 11342



Disclaimer

ALL PRODUCT, PRODUCT SPECIFICATIONS AND DATA ARE SUBJECT TO CHANGE WITHOUT NOTICE TO IMPROVE RELIABILITY, FUNCTION OR DESIGN OR OTHERWISE.

Vishay Intertechnology, Inc., its affiliates, agents, and employees, and all persons acting on its or their behalf (collectively, "Vishay"), disclaim any and all liability for any errors, inaccuracies or incompleteness contained in any datasheet or in any other disclosure relating to any product.

Vishay makes no warranty, representation or guarantee regarding the suitability of the products for any particular purpose or the continuing production of any product. To the maximum extent permitted by applicable law, Vishay disclaims (i) any and all liability arising out of the application or use of any product, (ii) any and all liability, including without limitation special, consequential or incidental damages, and (iii) any and all implied warranties, including warranties of fitness for particular purpose, non-infringement and merchantability.

Statements regarding the suitability of products for certain types of applications are based on Vishay's knowledge of typical requirements that are often placed on Vishay products in generic applications. Such statements are not binding statements about the suitability of products for a particular application. It is the customer's responsibility to validate that a particular product with the properties described in the product specification is suitable for use in a particular application. Parameters provided in datasheets and/or specifications may vary in different applications and performance may vary over time. All operating parameters, including typical parameters, must be validated for each customer application by the customer's technical experts. Product specifications do not expand or otherwise modify Vishay's terms and conditions of purchase, including but not limited to the warranty expressed therein.

Except as expressly indicated in writing, Vishay products are not designed for use in medical, life-saving, or life-sustaining applications or for any other application in which the failure of the Vishay product could result in personal injury or death. Customers using or selling Vishay products not expressly indicated for use in such applications do so at their own risk and agree to fully indemnify and hold Vishay and its distributors harmless from and against any and all claims, liabilities, expenses and damages arising or resulting in connection with such use or sale, including attorneys fees, even if such claim alleges that Vishay or its distributor was negligent regarding the design or manufacture of the part. Please contact authorized Vishay personnel to obtain written terms and conditions regarding products designed for such applications.

No license, express or implied, by estoppel or otherwise, to any intellectual property rights is granted by this document or by any conduct of Vishay. Product names and markings noted herein may be trademarks of their respective owners.