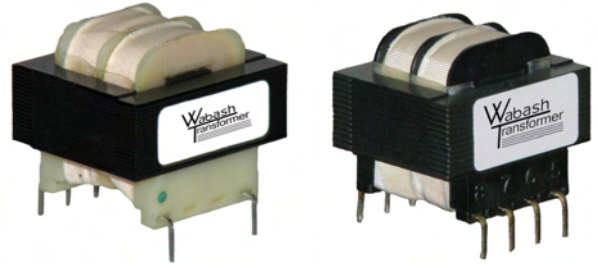


Split Bobbin Power Transformer

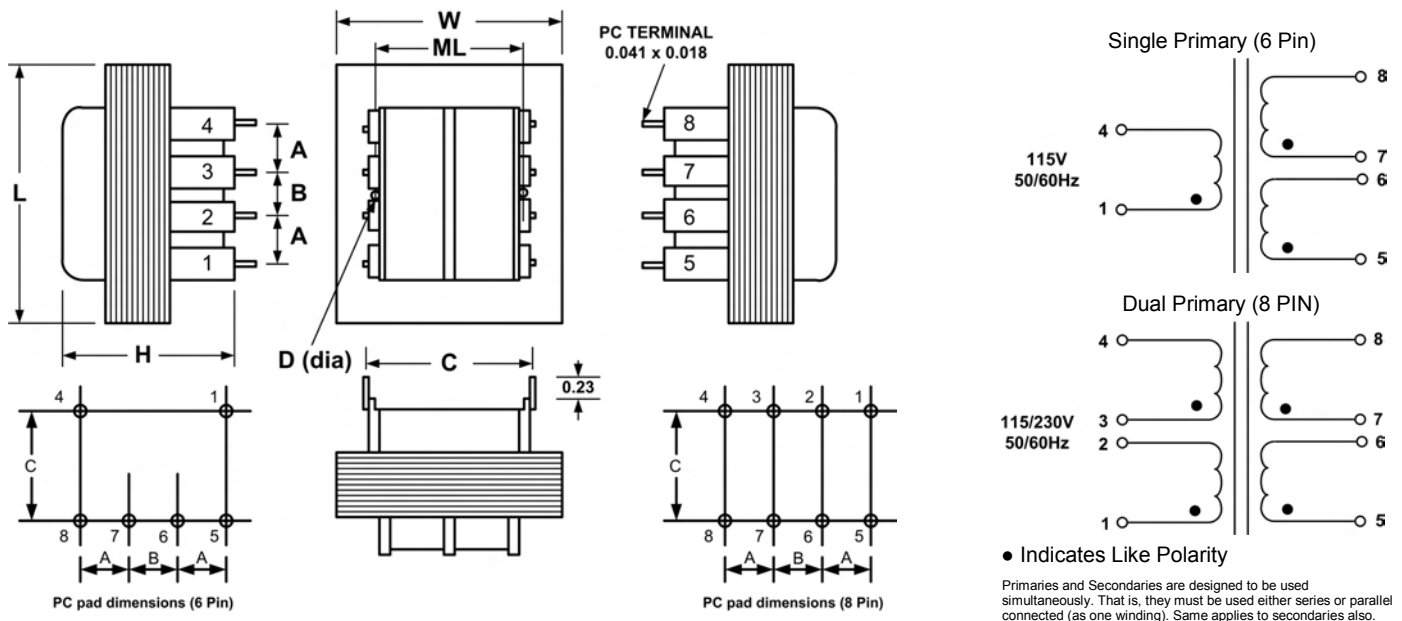
Series: PSH & PDH - Printed Circuit Mount, Horizontal 6 & 8 Pins

- Power Rating 1.1VA to 36VA
- Single or Dual Primary, 115V or 115/230V
- Frequency 50/60HZ
- Series or Parallel Secondary
- Dielectric Strength – 2500 Vrms
- Insulation Class B (130°C)
- Low Capacitive Coupling, no Electrostatic Shield Needed



Agency Approvals:

- UL/cUL 5085-2 Recognized (File E47299)
- Insulation File No. E95662



VA Rating	Dimensions (Inches)								Weight Lbs
	L	W	H	ML	A	B	C	D (dia)	
1.1	1.38	1.13	0.93	-	0.250	0.250	1.22	-	0.17
2.4	1.38	1.13	1.17	-	0.250	0.250	1.22	-	0.25
6	1.63	1.31	1.29	1.06	0.250	0.350	1.28	0.125	0.44
12	1.88	1.56	1.41	1.25	0.300	0.400	1.40	0.150	0.70
20	2.25	1.88	1.41	1.66	0.300	0.400	1.59	0.218*	0.80
36	2.63	2.19	1.56	1.94	0.400	0.400	1.84	0.218*	1.10

* = Slots

Any application, Any requirement, Contact us for our Custom Designs

Split Bobbin Power Transformer

Series: PSH & PDH - Printed Circuit Mount, Horizontal 6 & 8 Pins

Partial Selection Guide

VA	Part Number		Secondary		VA	Part Number		Secondary	
	115V	115/230V	Series	Parallel		115V	115/230V	Series	Parallel
1.1	PSH-11-10	PDH-11-10	10VCT @ 110mA	5V @ 220mA	12	PSH-12-10	PDH-12-10	10VCT @ 1.2A	5V @ 2.4A
	PSH-11-126	PDH-11-126	12.6VCT @ 90mA	6.3V @ 180mA		PSH-12-126	PDH-12-126	12.6VCT @ 950mA	6.3V @ 1.90A
	PSH-11-16	PDH-11-16	16VCT @ 70mA	8V @ 140mA		PSH-12-16	PDH-12-16	16VCT @ 750mA	8V @ 1.5A
	PSH-11-20	PDH-11-20	20VCT @ 55mA	10V @ 110mA		PSH-12-20	PDH-12-20	20VCT @ 600mA	10V @ 1.2A
	PSH-11-24	PDH-11-24	24VCT @ 45mA	12V @ 90mA		PSH-12-24	PDH-12-24	24VCT @ 500mA	12V @ 1.0A
	PSH-11-28	PDH-11-28	28VCT @ 40mA	14V @ 80mA		PSH-12-28	PDH-12-28	28VCT @ 420A	14V @ 840A
	PSH-11-36	PDH-11-36	36VCT @ 30mA	18V @ 60mA		PSH-12-36	PDH-12-36	36VCT @ 330mA	18V @ 660mA
	PSH-11-48	PDH-11-48	48VCT @ 23mA	24V @ 46mA		PSH-12-48	PDH-12-48	48VCT @ 250mA	24V @ 500mA
	PSH-11-56	PDH-11-56	56VCT @ 20mA	28V @ 40mA		PSH-12-56	PDH-12-56	56VCT @ 214mA	28V @ 428mA
	PSH-11-120	PDH-11-120	120VCT @ 9mA	60V @ 18mA		PSH-12-120	PDH-12-120	120VCT @ 100mA	60V @ 200mA
2.4	PSH-24-10	PDH-24-10	10VCT @ 240mA	5V @ 480mA	20	PSH-20-10	PDH-20-10	10VCT @ 2.0A	5V @ 4.0A
	PSH-24-126	PDH-24-126	12.6VCT @ 190mA	6.3V @ 380mA		PSH-20-126	PDH-20-126	12.6VCT @ 1.59A	6.3V @ 3.17A
	PSH-24-16	PDH-24-16	16VCT @ 150mA	8V @ 300mA		PSH-20-16	PDH-20-16	16VCT @ 1.25A	8V @ 2.50A
	PSH-24-20	PDH-24-20	20VCT @ 120mA	10V @ 240mA		PSH-20-20	PDH-20-20	20VCT @ 1.0A	10V @ 2.0A
	PSH-24-24	PDH-24-24	24VCT @ 100mA	12V @ 200mA		PSH-20-24	PDH-20-24	24VCT @ 833mA	12V @ 1.67A
	PSH-24-28	PDH-24-28	28VCT @ 85mA	14V @ 170mA		PSH-20-28	PDH-20-28	28VCT @ 714mA	14V @ 1.43A
	PSH-24-36	PDH-24-36	36VCT @ 66mA	18V @ 132mA		PSH-20-36	PDH-20-36	36VCT @ 550mA	18V @ 1.11A
	PSH-24-48	PDH-24-48	48VCT @ 50mA	24V @ 100mA		PSH-20-48	PDH-20-48	48VCT @ 416mA	24V @ 833mA
	PSH-24-56	PDH-24-56	56VCT @ 43mA	28V @ 86mA		PSH-20-56	PDH-20-56	56VCT @ 357mA	28V @ 714mA
	PSH-24-120	PDH-24-120	120VCT @ 20mA	60V @ 40mA		PSH-20-120	PDH-20-120	120VCT @ 166mA	60V @ 332mA
6	PSH-06-10	PDH-06-10	10VCT @ 600mA	5V @ 1.2A	36	PSH-36-10	PDH-36-10	10VCT @ 3.6A	5V @ 7.2A
	PSH-06-126	PDH-06-126	12.6VCT @ 480mA	6.3V @ 960mA		PSH-36-126	PDH-36-126	12.6VCT @ 2.85A	6.3V @ 5.7A
	PSH-06-16	PDH-06-16	16VCT @ 380mA	8V @ 760mA		PSH-36-16	PDH-36-16	16VCT @ 2.25A	8V @ 4.5A
	PSH-06-20	PDH-06-20	20VCT @ 300mA	10V @ 600mA		PSH-36-20	PDH-36-20	20VCT @ 1.8A	10V @ 3.6A
	PSH-06-24	PDH-06-24	24VCT @ 250mA	12V @ 500mA		PSH-36-24	PDH-36-24	24VCT @ 1.5A	12V @ 3.0A
	PSH-06-28	PDH-06-28	28VCT @ 210mA	14V @ 420mA		PSH-36-28	PDH-36-28	28VCT @ 1.28A	14V @ 2.57A
	PSH-06-36	PDH-06-36	36VCT @ 167mA	18V @ 333mA		PSH-36-36	PDH-36-36	36VCT @ 1.0A	18V @ 2.0A
	PSH-06-48	PDH-06-48	48VCT @ 125mA	24V @ 250mA		PSH-36-48	PDH-36-48	48VCT @ 750mA	24V @ 1.5A
	PSH-06-56	PDH-06-56	56VCT @ 107mA	28V @ 214mA		PSH-36-56	PDH-36-56	56VCT @ 642mA	28V @ 1.28A
	PSH-06-120	PDH-06-120	120VCT @ 50mA	60V @ 100mA		PSH-36-120	PDH-36-120	120VCT @ 300mA	60V @ 600mA

Any application, Any requirement, Contact us for our Custom Designs