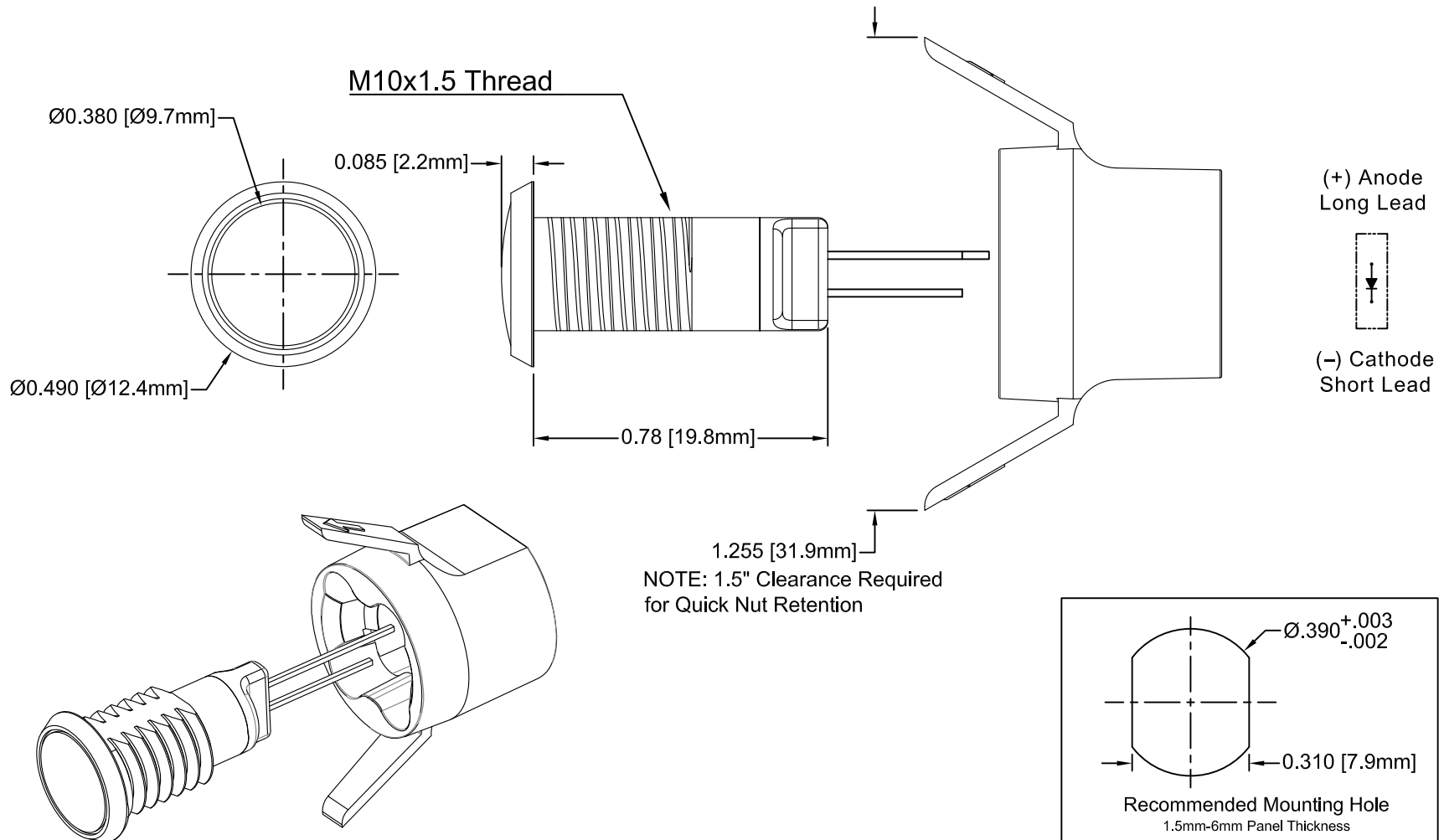


# 357 Series

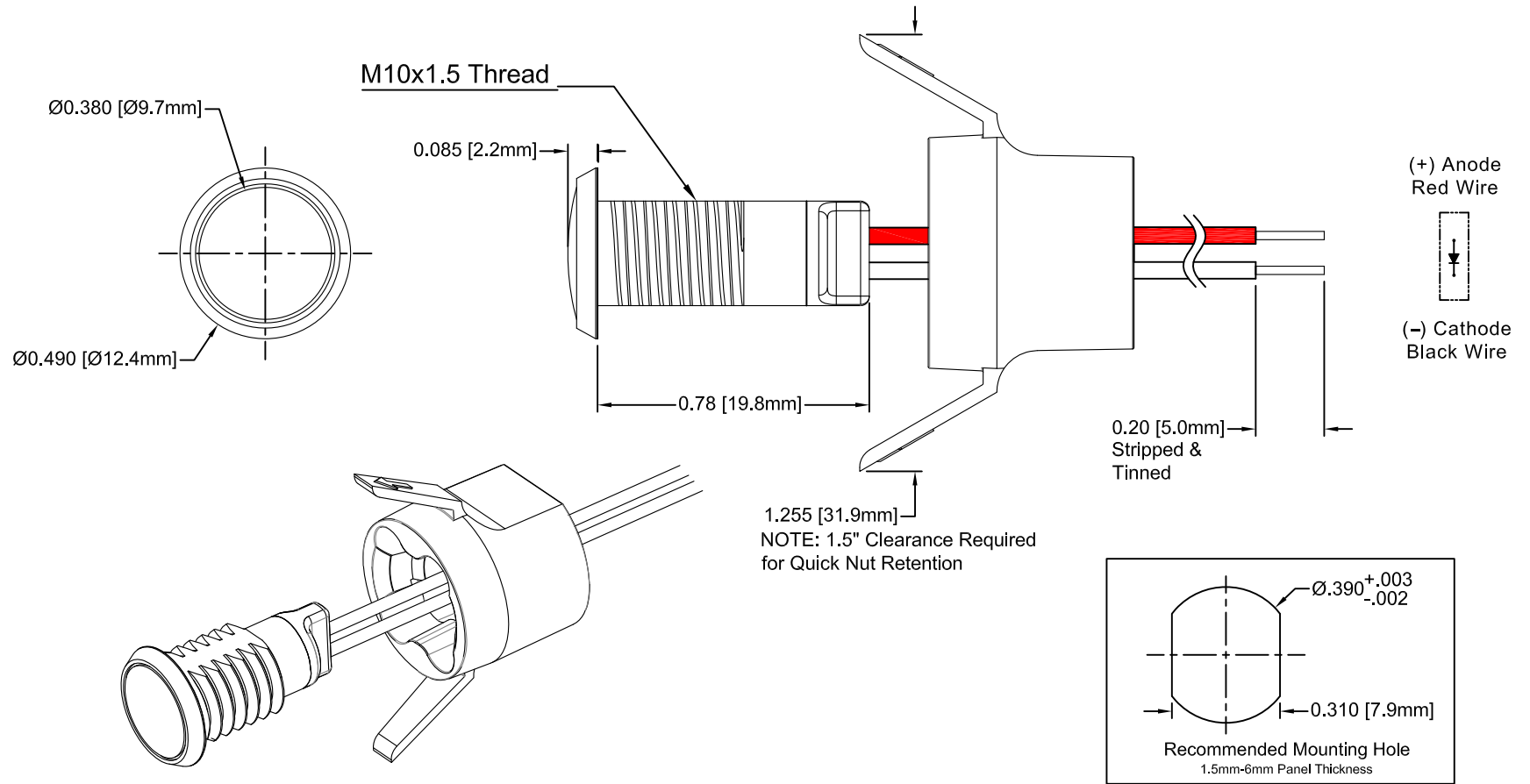


## NOTES:

1. TO INSTALL, INSERT HOLDER THROUGH PANEL AND PRESS QUICK NUT ON TO HOLDER AS SHOWN. TABS WILL DEFORM FOR RETENTION
2. ROHS COMPLIANT
3. MOUNTING HARDWARE SHIPPED NON-ASSEMBLED
4. TO REMOVE, TWIST QUICK NUT 90° AND PULL

STANDARD TOLERANCE ( UNLESS OTHERWISE SPECIFIED )		<b>MARL</b>	MARL BUSINESS PARK, ULVERSTON, UK. LA12 9BN Tel: +44 (0)1229 582 430. Web: www.leds.co.uk
DECIMALS	ANGULAR		
.X ± .1	X° ± 1°	⊕ □	TITLE: Quick-Mount Panel Mount Indicator
.XX ± .02			PART NO: 357 Series
.XXX ± .010		SHEET # 1 OF 3	
<b>Provisional</b>		CAD GENERATED DOCUMENT, DO NOT MEASURE DRAWING.	

# 357 Series (Flying Leads version)



## NOTES:

1. TO INSTALL, INSERT HOLDER THROUGH PANEL AND PRESS QUICK NUT ON TO HOLDER AS SHOWN. TABS WILL DEFORM FOR RETENTION
2. ROHS COMPLIANT
3. MOUNTING HARDWARE SHIPPED NON-ASSEMBLED
4. TO REMOVE, TWIST QUICK NUT 90° AND PULL



STANDARD TOLERANCE ( UNLESS OTHERWISE SPECIFIED )		<b>MARL</b>	MARL BUSINESS PARK, ULVERSTON, UK. LA12 9BN Tel: +44 (0)1229 582 430. Web: www.leds.co.uk
DECIMALS	ANGULAR		
.X    ± .1	X°   ± 1°		
.XX   ± .02			TITLE: Quick-Mount Panel Mount Indicator
.XXX ± .010			PART NO: 357 Series
<b>Provisional</b>		<b>SHEET # 2 OF 3</b>	
<small>CAD GENERATED DOCUMENT, DO NOT MEASURE DRAWING.</small>			

Marl Part No.	LED Part Number	Peak Wave Length $\lambda_p$ (nm)	Emitted Colour	Lens Appearance	Electro-Optical Data @ 20mA		Viewing Angle	Termination
					Typ Vf (VDC)	LED Iv (mcd)		
					TYP	TYP		
357-508-04	508	605	AMBER	WHITE DIFFUSED	2.0	25	120	PINS
357-508-04-40								12IN FLYING LEADS
357-520-04	520	430	BLUE	WHITE DIFFUSED	4.0	200	120	PINS
357-520-04-40								12IN FLYING LEADS
357-514-04	514	568	GREEN	WHITE DIFFUSED	2.1	30	120	PINS
357-514-04-40								12IN FLYING LEADS
357-502-04	502	625	HE RED	WHITE DIFFUSED	2.0	25	120	PINS
357-502-04-40								12IN FLYING LEADS
357-505-04	505	645	RED	WHITE DIFFUSED	1.7	40	120	PINS
357-505-04-40								12IN FLYING LEADS
357-511-04	511	590	YELLOW	WHITE DIFFUSED	2.0	300	120	PINS
357-511-04-40								12IN FLYING LEADS

Marl Part No.	LED Part Number	Colour Temperature	Emitted Colour	Lens Appearance	Electro-Optical Data @ 20mA		Viewing Angle	Termination
					Typ Vf (VDC)	LED Iv (mcd)		
					TYP	TYP		
357-997-04	997	5000K	NEUTRAL WHITE	WHITE DIFFUSED	3.2	600	120	PINS
356-997-04-40								12IN FLYING LEADS

## ABSOLUTE MAXIMUM RATINGS (Ta = 25°C)

MAXIMUM REVERSE VOLTAGE \_\_\_\_\_ 5V  
 MAXIMUM POWER DISSIPATION \_\_\_\_\_ 150 mW  
 OPERATING TEMPERATURE RANGE \_\_\_\_\_ -30°C ~ 85°C  
 STORAGE TEMPERATURE \_\_\_\_\_ -40°C ~ 85°C

STANDARD TOLERANCE ( UNLESS OTHERWISE SPECIFIED )		 MARL BUSINESS PARK, ULVERSTON, UK. LA12 9BN Tel: +44 (0)1229 582 430. Web: www.leds.co.uk
DECIMALS	ANGULAR	
.X ± .1 .XX ± .02 .XXX ± .010	X° ± 1°	
		TITLE: Quick-Mount Panel Mount Indicator
		PART NO: 357 Series
Provisional		SHEET # 3 OF 3
		CAD GENERATED DOCUMENT, DO NOT MEASURE DRAWING.