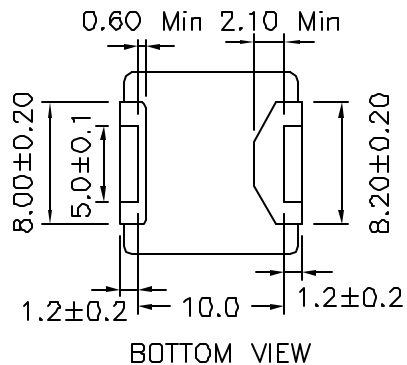
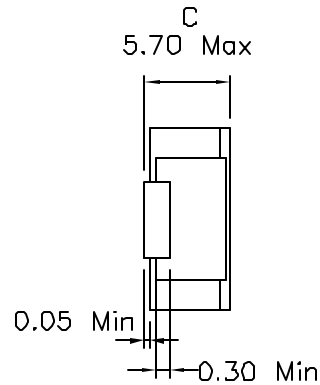
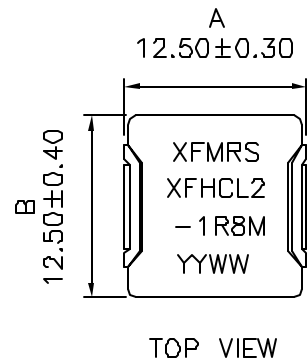
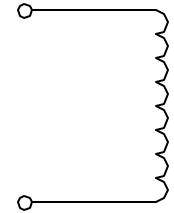


1. Mechanical Dimensions:



2. Schematic:



3. Electrical Specifications:

OCL: 1.71uH ± 20% @ 100KHz, 0.1V, 14Adc

OCL: 1.50uH Typ @ 100KHz, 0.1V, 20Adc

DC RESISTANCE: 3.30 mOhms Max

Notes:

1. Solderability: Leads shall meet MIL-STD-202, Method 208D for solderability.
2. Flammability: UL94V-0
3. ASTM oxygen index: > 28%
4. Insulation System: Class F 155°C. UL file E151556
5. Operating Temperature Range: All listed parameters are to be within tolerance from -40°C to +85°C
6. Storage Temperature Range: -55°C to +125°C
7. Aqueous wash compatible
8. SMD Lead Coplanarity: ±0.004" (0.102mm)
9. Moisture Sensitivity: Level 3
10. Electrical and mechanical specifications 100% tested
11. RoHS Compliant Component

Doc. Rev. A/3

PROPRIETARY

Document is the property of XFMRS Group & is not allowed to be duplicated without authorization.

XFMRS Inc www.XFMRS.com		Title: Power Inductor	
UNLESS OTHERWISE SPECIFIED TOLERANCES: .xx ±0.25 Dimensions in MM	P/N: XFHCL2-1R8M		REV. A
	DWN.	刘 鹏	Jan-10-05
SHEET 1 OF 1	CHK.	李小锋	Jan-10-05
	APP.	J Ng	Jan-10-05