

THIS DRAWING IS UNPUBLISHED.

RELEASED FOR PUBLICATION

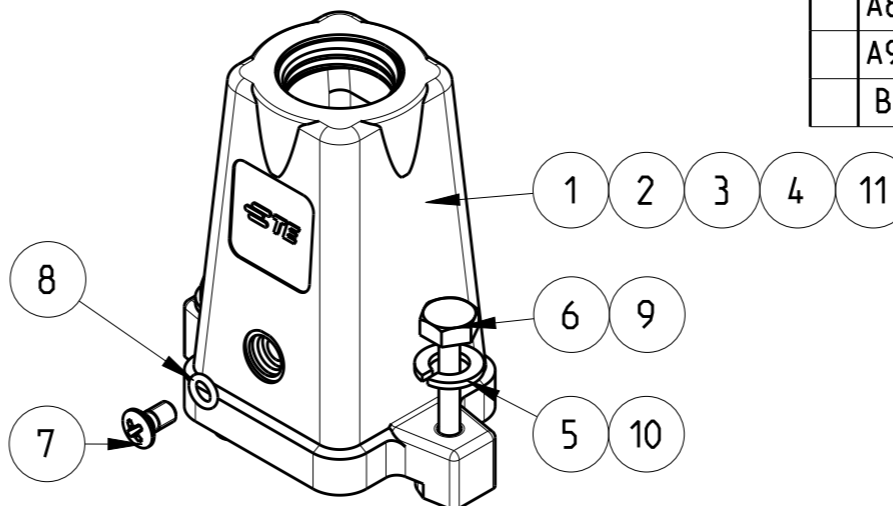
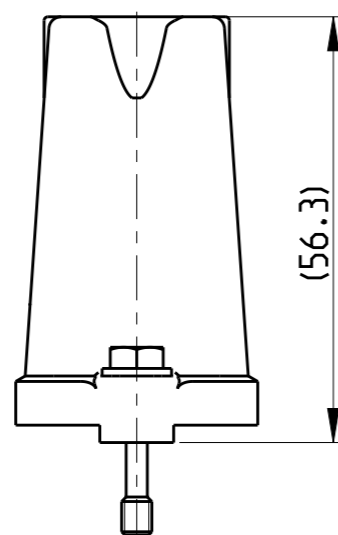
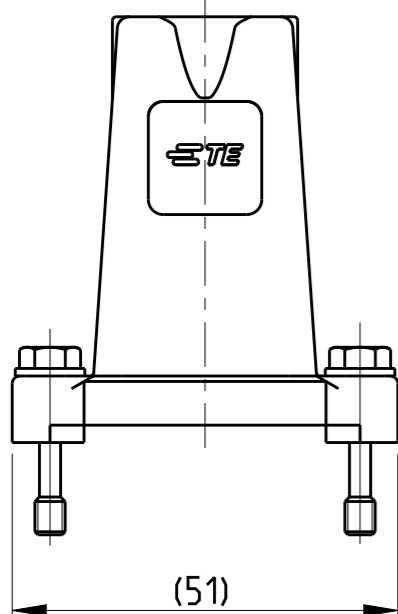
2009

© COPYRIGHT 2009 BY -

ALL RIGHTS RESERVED.

REVISIONS

P	LTR	DESCRIPTION	DATE	DWN	APVD
A7		ECR-09-023155	22OCT2009	VG	AR
A8		ECR-10-000686	12JAN2010	SR	AR
A9		ECR-10-009092	28APR2010	RO	BR
B		ECR-16-001855	29FEB2016	GCM	JB

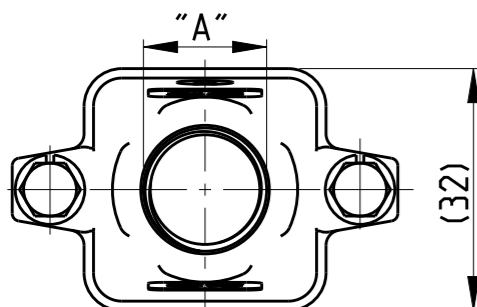


PN 0-1 AS SHOWN

0-1106402-7	EMV-K.3/4.ST-N
0-1106402-6	EMV-K.3/4.STO.1.M20.G
0-1106402-5	EMV-K.3/4.STO.1.M16.G
0-1106402-4	EMV.3/4.STO.1.M16.G
0-1106402-3	EMV-K.3/4.STO.1.M20.G
0-1106402-2	EMV.3/4.STO.1.M16.G
0-1106402-1	EMV-K.3/4.STO.1.M16.G
PART NO.	ORDERING TEXT

Notes

- 1 SUITABLE HOUSINGS: SERIES EMV, SIZE 1 CUSTOMER DRAWING 1102703; 1102702
- 2 STANDARDS: DIN EN 61984, DIN EN 60664-1
- 3 SURFACE: CHROMIT AL TCP PASSIVATION
- 4 TOOLS: PHILLIPS SCREWDRIVER PH1  
HEXAGON SCREWDRIVER 7mm
- 5 VARNISH ON INSIDE AREA NOT NECESSARY
- 6 PACKAGING:  
10 SETS IN A CARTON, PRE-MOUNTED



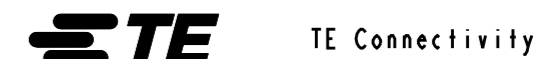
PN/QTY	DESCRIPTION	"A"	MATERIAL	COLOR/SURFACE	NOTE	ITEM
1	CONNECTOR HOUSING		ALU ALLOY	BLACK	SERIES EMV-K.3/4.ST-N, SIZE 1, METRIC, W/O THREAD & LOGO	11
- 2	WASHER, PLAIN		STAINL. STEEL	BLANK	A4, DIN EN ISO 7089, 200HV (V4A)	10
- 2	SCREW, HEXAGON BOLT		STAINL. STEEL	BLANK	M4x22 DIN EN ISO 7964, REDUCED SHUNK (V4A)	9
1	O - RING		NBR	BLACK	3.0x1.0	8
1	SREW COUNTERSUNK RAISED HEAD		STAINL. STEEL	V2A	M3x6 PH1 DIN EN ISO 7047	7
2	SCREW, HEXAGON BOLT		STAINL. STEEL	BLANK	M4x22 DIN EN ISO 7964, REDUCED SHUNK	6
2	WASHER, PLAIN		STAINL. STEEL	BLANK	A4, DIN EN ISO 7089, 200HV	5
- 1	CONNECTOR HOUSING	M20	ALU ALLOY	WHITE	SERIES EMV-K, SIZE 1, METRIC	4
- -	CONNECTOR HOUSING	M20	ALU ALLOY	BLACK	SERIES EMV-K, SIZE 1, METRIC	3
- - 1	CONNECTOR HOUSING	M16	ALU ALLOY	BLACK	SERIES EMV-K, SIZE 1, METRIC	2
- - - 1	CONNECTOR HOUSING	M16	ALU ALLOY	GREY	SERIES EMV, SIZE 1, METRIC	1

PARTS LIST (PER ONE UNIT)

THIS DRAWING IS A CONTROLLED DOCUMENT.

DIMENSIONS:	TOLERANCES UNLESS OTHERWISE SPECIFIED:
mm	
0 PLC	±
1 PLC	±
2 PLC	±
3 PLC	±
4 PLC	±
ANGLES	±1°
MATERIAL	FINISH
-	-

DWN	V.GLUMM	14AUG2009
CHK	H.Braun	14AUG2009
APVD	T.Schnurfeil	14AUG2009
PRODUCT SPEC	-	-
APPLICATION SPEC	-	-
WEIGHT	-	-
CUSTOMER DRAWING		



CONNECTOR HOUSING ASS'Y, TOP ENTRY  
SERIES EMV, SIZE 1, METRIC

SIZE	CAGE CODE	DRAWING NO	RESTRICTED TO
A3	00779	C-1106402	-
SCALE	1:1	SHEET	1 OF 1
REV	B		