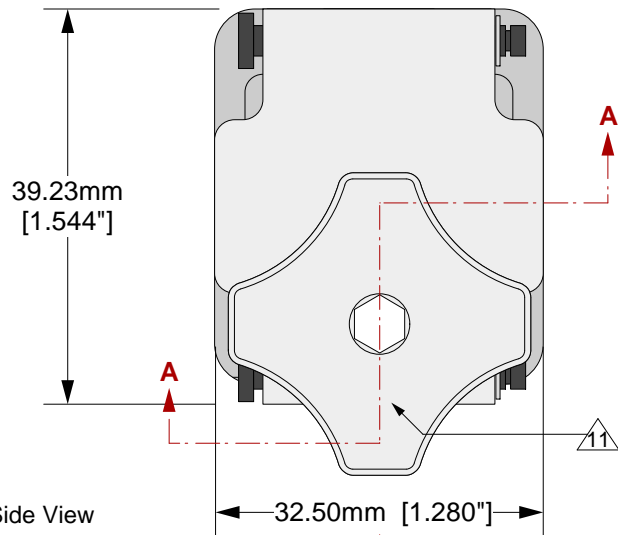
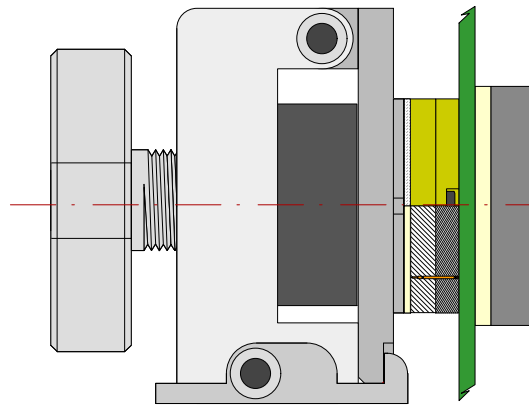
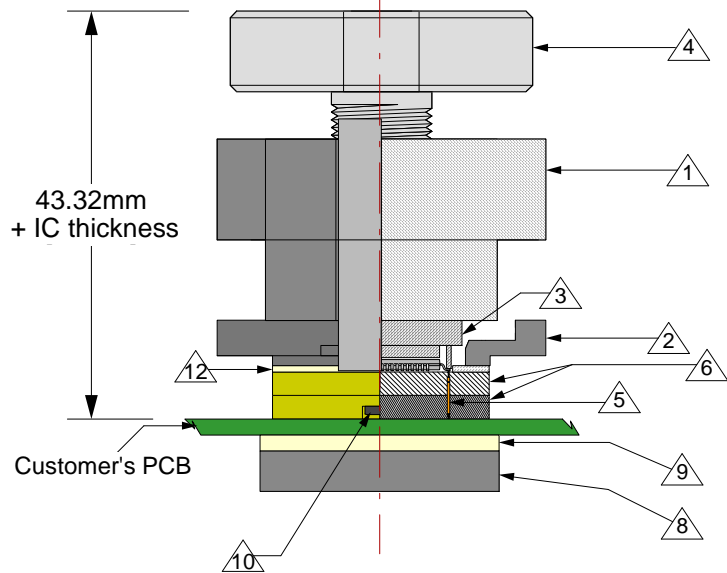


Top View



Side View  
(Section AA)




**Features**

- Directly mounts to target PCB (needs tooling holes) with hardware
- Minimum real estate required
- Compression plate distributes evenly
- Clamshell lid

**Materials:**

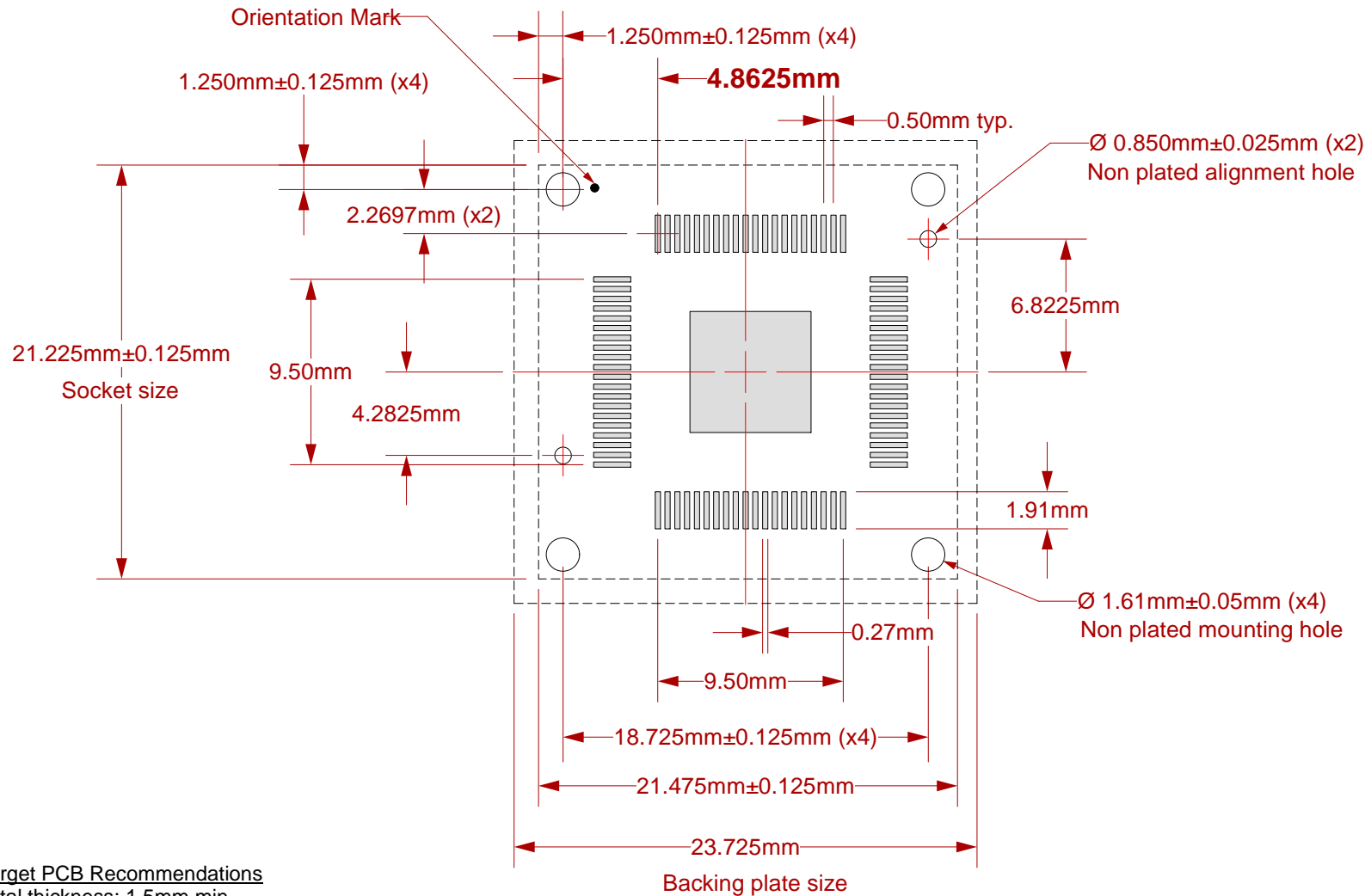
- 1 Clam Shell Lid: Black anodized Aluminum. Height = 20 mm.
- 2 Socket Base: Black anodized Aluminum. Height = 6 mm.
- 3 Compression Plate: Black anodized Aluminum. Thickness = 12 mm.
- 4 Compression Screw: Clear anodized Aluminum. Height = 27 mm, Fluted Knob
- 5 Pogo Pin: Plungers - Hardened Steel/ Gold plated  
Barrel - Copper Alloy/ Gold plated  
Spring - Stainless Steel/ Gold wire
- 6 Pogo Pin Guides: Ceramic Peek.
- 7 Socket Base Screw: Socket Head Cap Screw, 18-8 SS, 0-80 Thread, 3/4" long.
- 8 Backing Plate: Black anodized Aluminum
- 9 Insulation Plate: FR4/G10
- 10 Pogo Pin Guide Screw: Pan head phillips, 18-8 SS, 0-80 thread, 3/16" long.
- 11 Latch: Black anodized Aluminum.
- 12 IC Guide: Ultem

All Tolerances: ±0.125mm (unless stated otherwise). Materials and specifications are subject to change without notice.

	<b>SS-QFE80SC-01 Drawing</b>	Status: Released	Scale: 1.25:1	Rev: A
	© 2008 IRONWOOD ELECTRONICS, INC. Tele: (952) 229-8200 www.ironwoodelectronics.com	Drawing: E Smolentseva		Date: 11/21/08
		File: SS-QFE80SC-01 Dwg	Modified:	


Recommended PCB Layout  
Top View

**\*Note: QFP pattern is not symmetrical with respect to the mounting holes.**



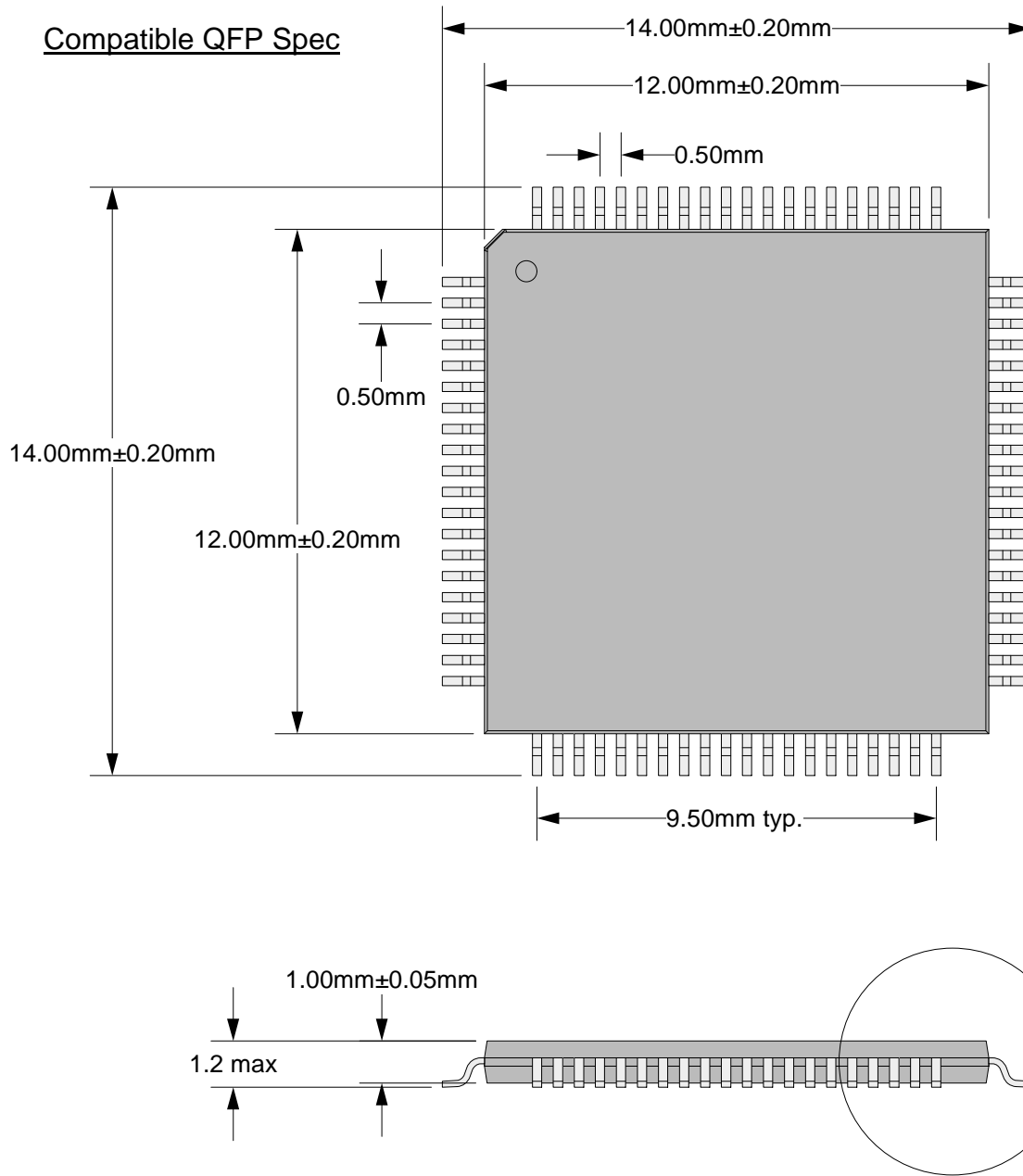
Target PCB Recommendations  
 Total thickness: 1.5mm min.  
 Plating: Gold or Solder finish

DXF DATA WILL BE PROVIDED

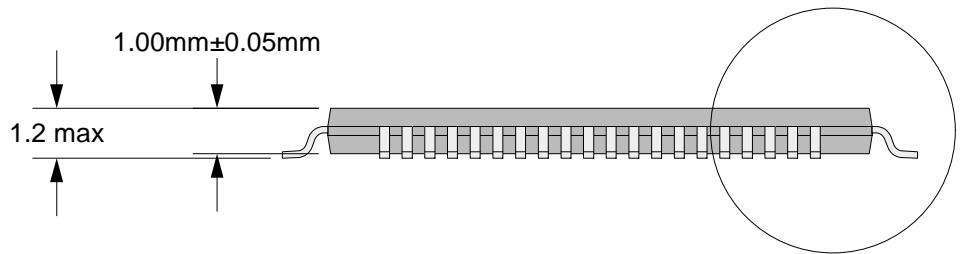
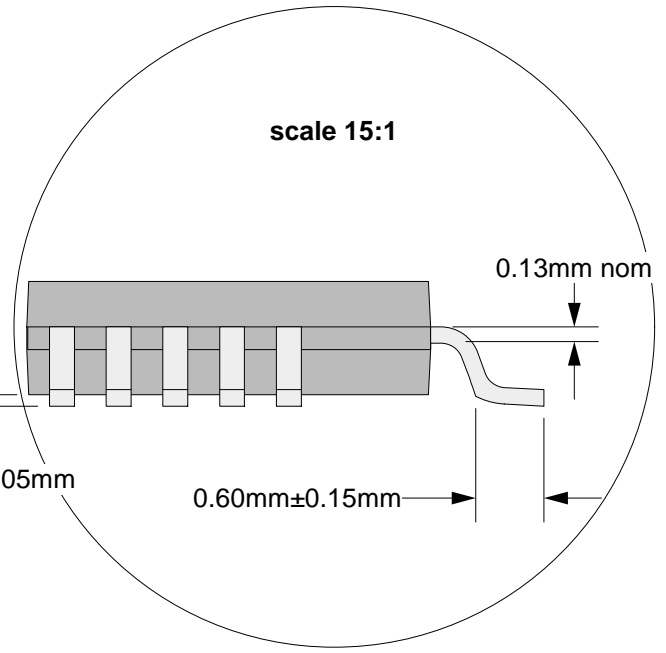
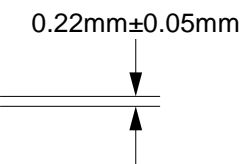
	<b>SS-QFE80SC-01 Drawing</b>		Status: Released	Scale: 1.25:1	Rev: A
	© 2008 IRONWOOD ELECTRONICS, INC. Tele: (952) 229-8200 www.ironwoodelectronics.com		Drawing: E Smolentseva		Date: 11/21/08
			File: SS-QFE80SC-01 Dwg	Modified:	


Recommended PCB Layout  
 Tolerances: ±0.025mm [±0.001"]  
 unless stated otherwise.

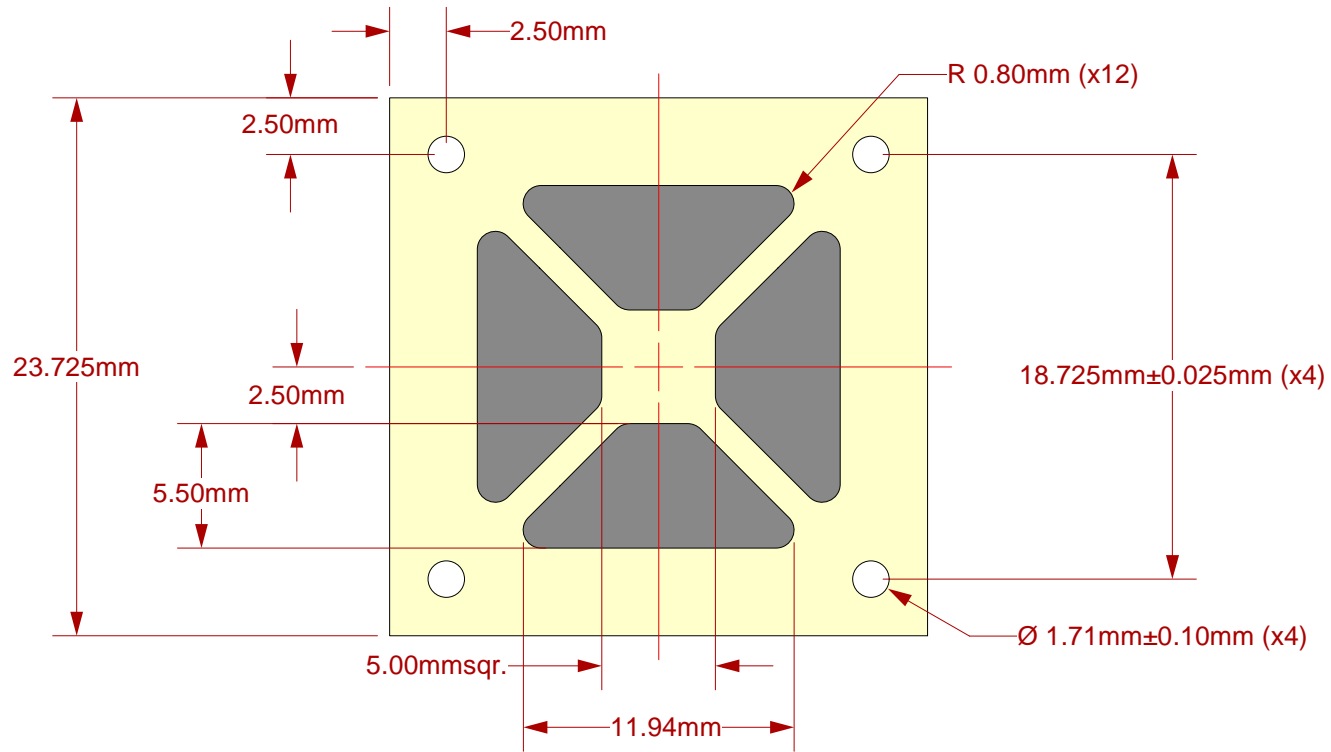
Compatible QFP Spec



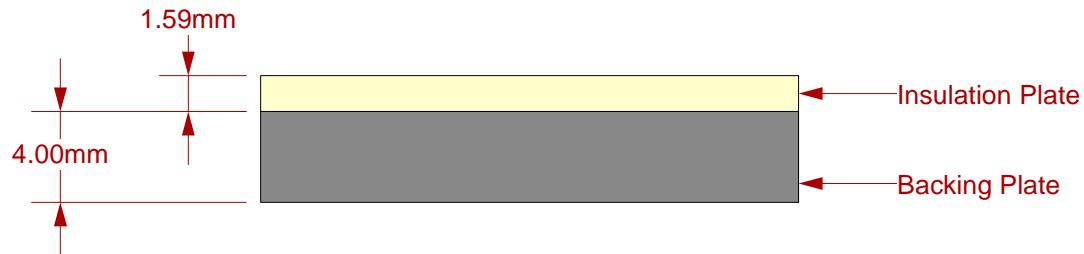
Ironwood Package codes accommodated					
Pkg. Code	Pins	Pitch	Body Size	Tip to tip	foot length
QFE80SC	80	0.5mm	12mm x 12mm	14mm x 14mm	0.6mm



 <p>© 2008 IRONWOOD ELECTRONICS, INC. Tele: (952) 229-8200 www.ironwoodelectronics.com</p>	<p><b>SS-QFE80SC-01 Drawing</b></p>	<p>Status: Released</p>	<p>Scale: 1.25:1</p>	<p>Rev: A</p>
	<p>Drawing: E Smolentseva</p>	<p>Date: 11/21/08</p>		
	<p>File: SS-QFE80SC-01 Dwg</p>	<p>Modified:</p>		




Top View



Side View

Description: Backing Plate with Insulation Plate

All dimensions are in mm.  
All tolerances are +/- 0.125mm.  
(Unless stated otherwise)

	<b>SS-QFE80SC-01 Drawing</b>	Status: Released	Scale: 1.25:1	Rev: A
	© 2008 IRONWOOD ELECTRONICS, INC. Tele: (952) 229-8200 www.ironwoodelectronics.com	Drawing: E Smolentseva		Date: 11/21/08
		File: SS-QFE80SC-01 Dwg	Modified:	