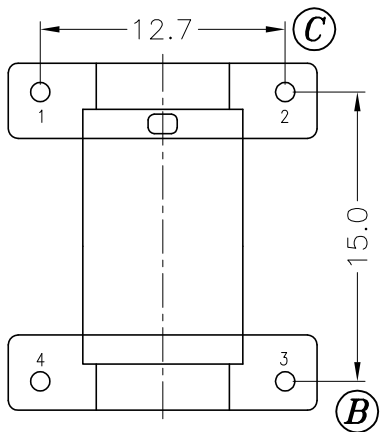
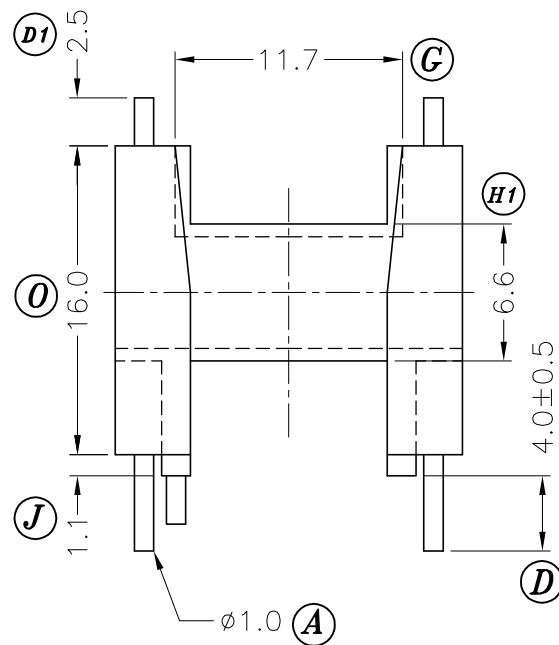
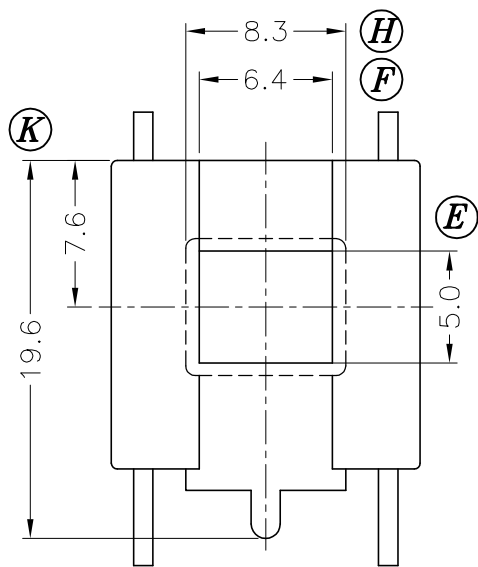
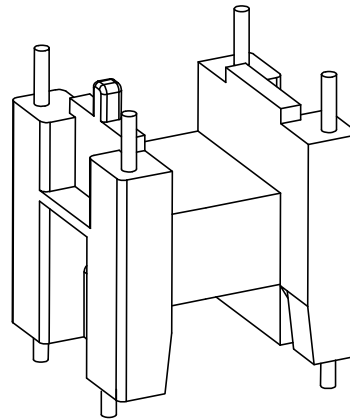
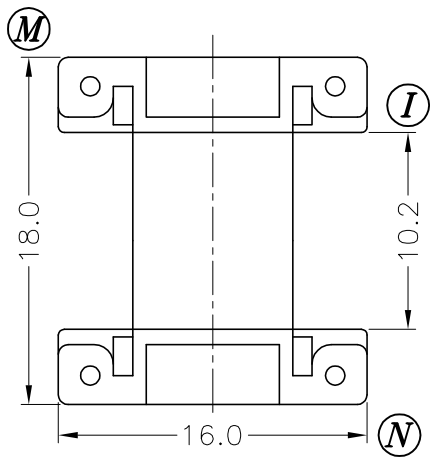


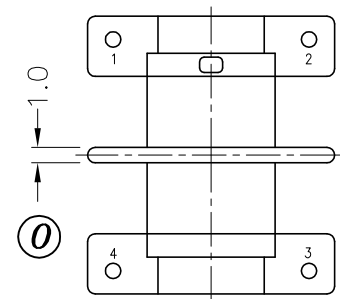
FERYSTER Inductive Components

ul. Traugutta 4 , 68-120 Iłowa Poland

http://www.feryster.com.pl e-mail: info@feryster.com.pl



DRAWING NO.	MATERIAL:	ORIGIN:
P-1503-1	PBT 4130	SZ



DOSTAWCA:	TOLERANCES		ANGLE:	TITLE:		
	0<L≤4 ±0.1	pin pitch	±1°	UU16-K-DS		
FERYSTER Inductive Components Tel: +48 68 360 00 76 fax: +48 68 360 00 70	4<L≤16 ±0.2	±0.2	UNIT:	BOBBIN MATERIAL:	PBT 4130	UL REC. UL 94V-0
	16<L≤63 ±0.3		MM	PIN MATERIAL:	CP WIRE	PIN TENSION LOAD: 1.5 KG MIN
			ORIGIN:	SZ	DATE:	JUL.22 '2001
						REV. 0