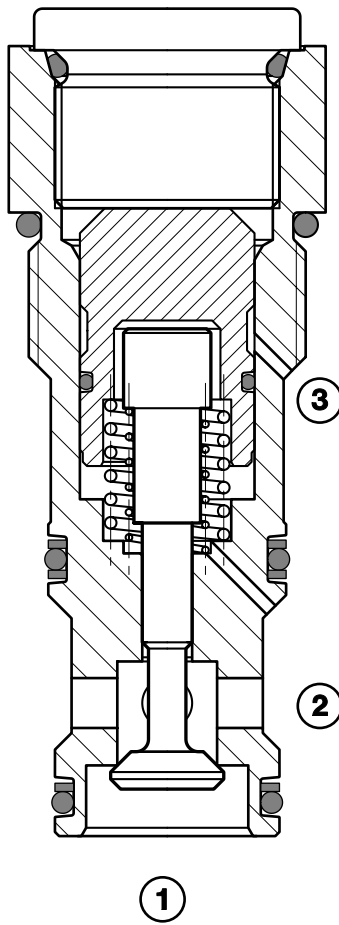


Up to 40 gpm (150 l/min)
and 6000 psi (420 bar)

FUNCTION



The RP16A allows flow from 2 to 1 and blocks flow from 1 to 2 until sufficient pressure is present at 3 to permit flow.

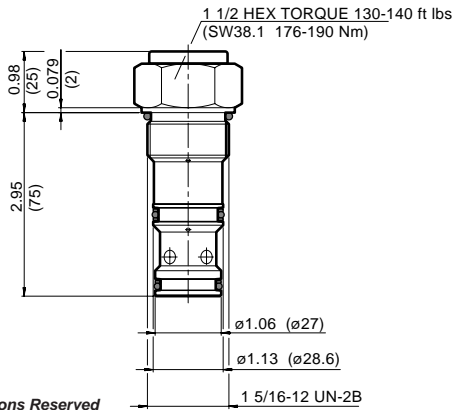
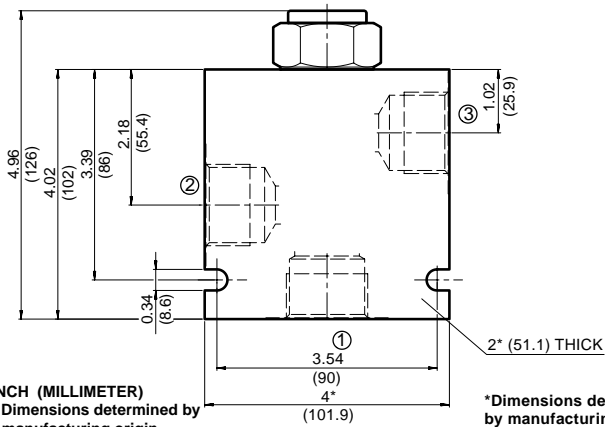
FEATURES

- All surfaces zinc plated and corrosion-proof
- Low leakage design
- Reseating spring in pilot assembly enhances reliability
- Optional sealed pilot
- Quick response

SPECIFICATIONS

Operating Pressure:	6000 psi	(420 bar)
Nominal Flow:	40 gpm	(150 l/min)
Internal Leakage:	2 drops/min.	
Check bias spring:	15 psi (1 bar)	
Pilot Ratio:	3:1, 4:1	
Fluid Operating Temp. Range:	-4°F to 248°F (-4°C to +120°C) <i>Consult factory for usage at temperatures outside this range</i>	
Fluid Compatibility:	Mineral-based or synthetics with lubricating properties	
Viscosity:	50 to 2000 SUS (7.4 to 420 cSt)	
Filtration:	Class 21/19/16 or cleaner (according to ISO 4406)	
Material:	Valve body:	Carbon Steel
	Pilot:	Carbon Steel
	Poppet:	Carbon Steel
	Seals:	Buna-N (standard) Viton™ (optional)
Cavity:	FC16-3	
Weight:	1.13Lbs.	(510 g)

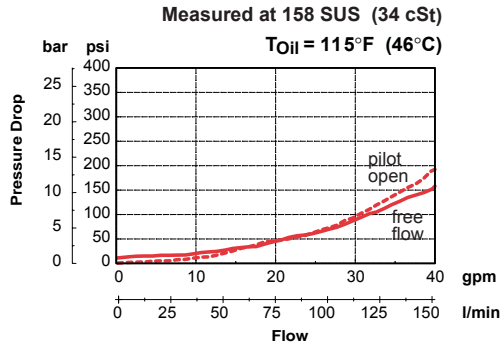
DIMENSIONS



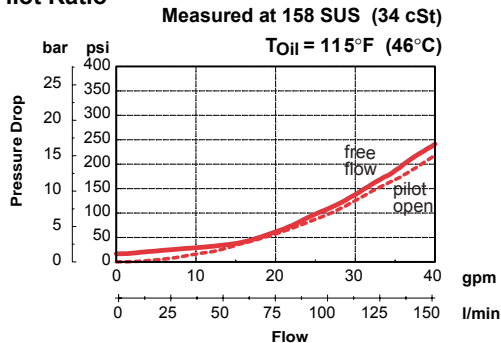
Technical Modifications Reserved

PERFORMANCE

3:1 Pilot Ratio



4:1 Pilot Ratio



MODEL CODE

RP16A-01-C-N-15 3

VALVE MODEL _____

BODY & PORTS* _____

- C = No Line Body, Cartridge only
- AS6 = SAE-6 ports, aluminium body
- SS6 = SAE-6 ports, steel body

SEALS _____

- N = Buna-N
- NS = Buna-N with Piston Seal
- V = Viton™
- VS = Viton™ with Piston Seal

CRACKING PRESSURE _____

15 = 15 psi (1 bar)

PILOT RATIO _____

- 3=3:1
- 4=4:1

*Standard Line Bodies:

Code	Part No	Description	Pressure
FH163-AS16	3037210	Clear anodized aluminium SAE-16 ports	3500 psi (245 bar)
FH163-SS16	3036285	Zinc plated steel SAE-16 ports	6000 psi (420 bar)

*Please refer to data sheet HHD-BCT for further cavity and body specifications. Alternate port sizes, types, body materials, finishes, and custom designs available.

HYDAC

HYDAC Technology Corporation

445 Windy Point Drive • Glendale Heights, IL 60139
Phone (630) 545-0800 • Fax (630) 545-0033
www.hydacusa.com • powerup@hydacusa.com