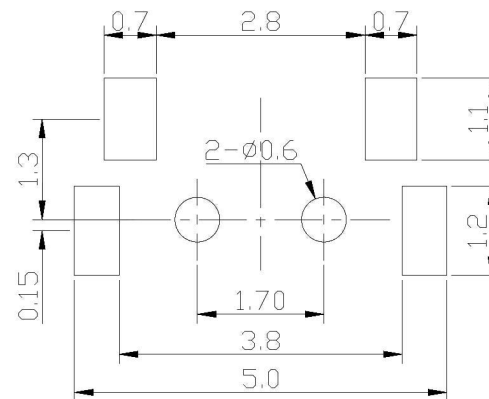
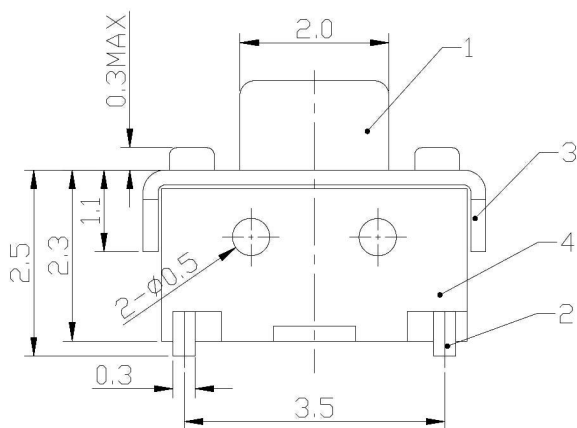
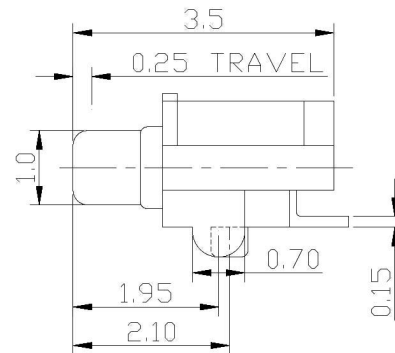
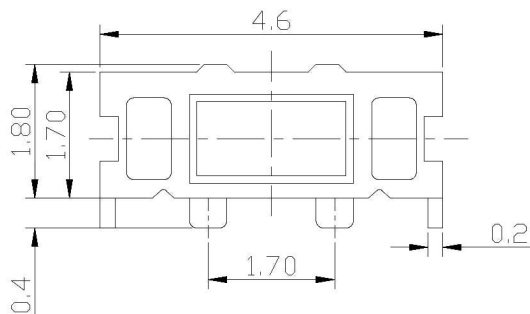
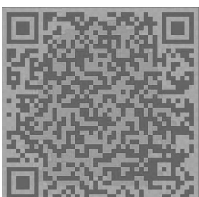




SCHEMATIC



P.C.B LAYOUT

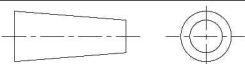


技术详询

深圳市金航标电子有限公司

TITLE : TACT SWITCH

MODEL : TD-44XA (W182)



TOLERANCE
 <=1.5mm ±0.1
 >1.5mm ±0.2

ANGLE TOL
 ±2°

NO.	PART NAME	MATERIAL	QTY	FINISHING
5	CONTACT	SUS	2	Ag CLAD
4	CASE	LCP	1	IVORY
3	COVER	IRON STRIP	1	Ni PLATED
2	TERMINAL	PBS STRIP	2	Ag PLATED
1	KNOB	LCP	1	BLACK

UNIT	MM	DWN.	DATE
SCALE	10 : 1	CHK'D	DATE
VERSION	02	APPD.	DATE