



# HOME APPLICATION RELAY

## ETR GL SERIES

### FEATURES

- High switching current at 30A (1 Pole) and 25A (2 Poles).
- Plug-in terminal is available.
- Both AC and DC coil available.
- High Dielectric Strength 4,000VAC.
- Comply with RoHS and REACH regulations.

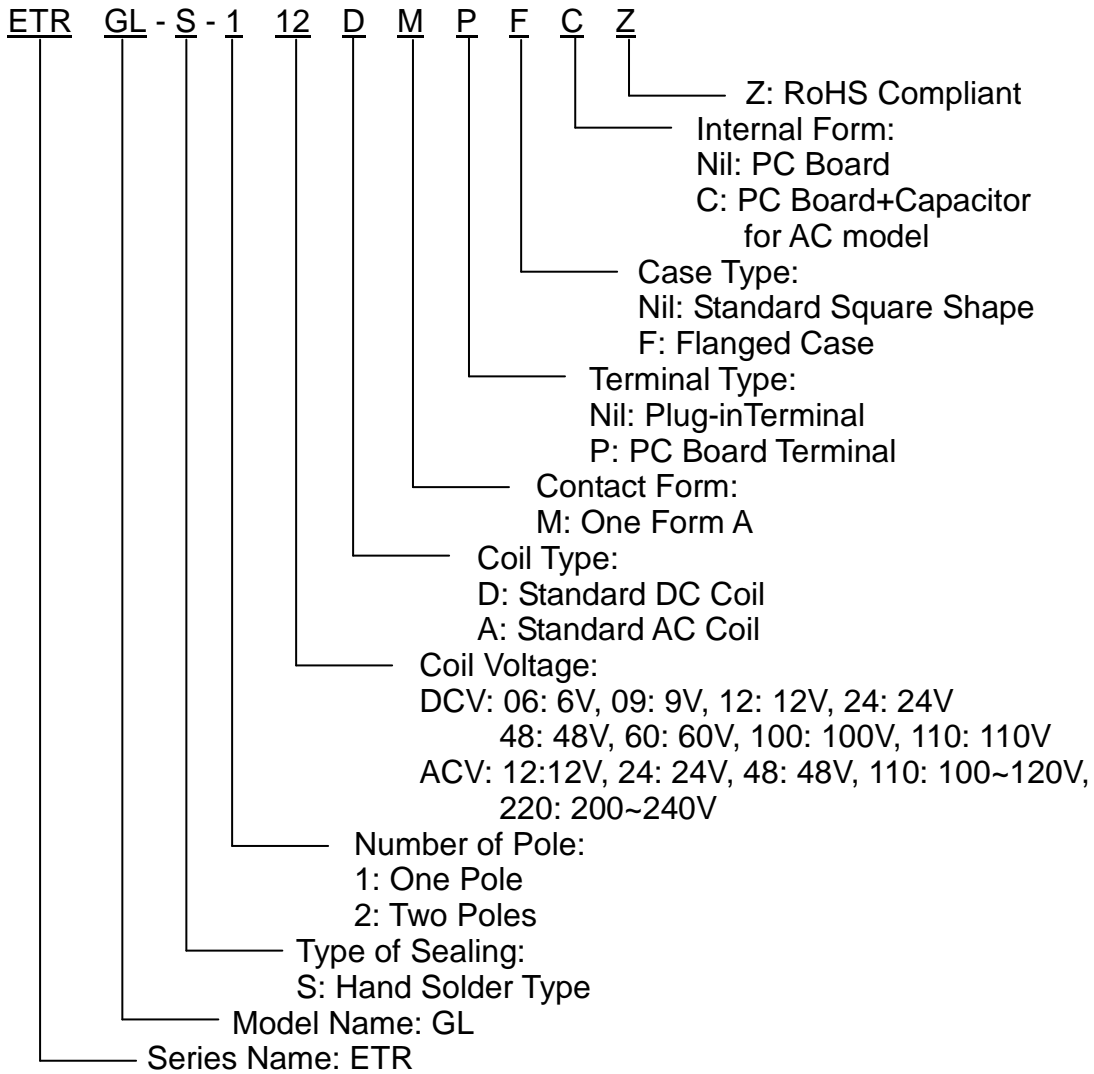
### SPECIFICATIONS

Contact Resistance	Max. 100mΩ at initial value. @1A,6VDC
Contact Capacity	GL-1P: 30 Amps at 277VAC Cosφ=1 GL-2P: 25 Amps at 277VAC Cosφ=1
Operate Time	30m Sec. Max.
Release Time	30m Sec. Max.
Dielectric Strength	Between coil & Contact: 4000VAC at 50/60Hz for one minute Between Contacts: 2000VAC at 50/60Hz for one minute Different Polarity: 3000VAC at 50/60Hz for one minute
Insulation Resistance	100MΩ Min. at 500VDC

### COIL SPECIFICATION AT 20°C

Coil Sensitivity	Nominal Voltage (VDC)	Nominal Current (Ma)	Coil Resistance (Ω±10%)	Power Consumption	Pull-In Voltage (VDC)	Drop-Out Voltage (VDC)	Max. Allowable Voltage (VDC)
GL DC Coil	6	317	18.9	Abt. 1.9W	75% Max.	10% Min.	110%
	9	211	42.6				
	12	158	75.8				
	24	79	303				
	48	40	1,220				
	60	31.7	1,895				
	100	19	5,260				
GL AC Coil	110	17	6,400	Abt. 1.7~2.5VA	75% Max.	10% Min.	110%
	12	142	-				
	24	71	-				
	48	34	-				
	100~120	17~20.4	-				
200~240	8.5~10.2	-					

### ■ PART NUMBER SYSTEM



**\*Marking without: "ETR" & "Z".**

**ETR GL-S-112DMF**



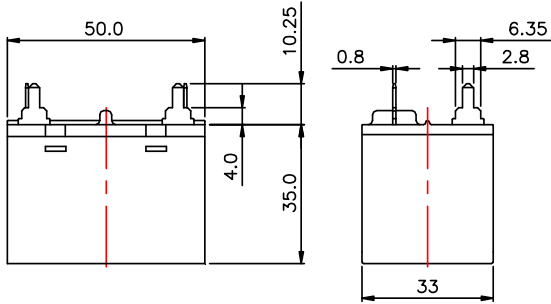
**ETR GL-S-212DM**





**DIMENSIONS** ( $\leq 5\text{mm} \pm 0.2\text{mm}$ ,  $> 5\text{mm} \pm 0.3\text{mm}$ , the tolerance of PCB thru hole:  $+0.1\text{mm}$ )

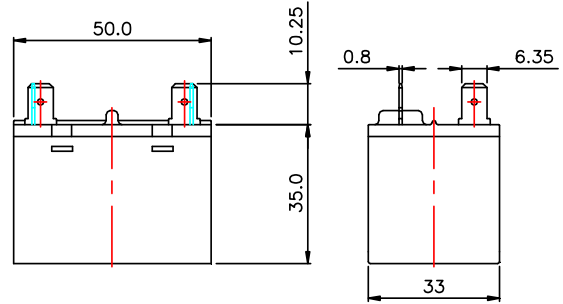
ETR GL-S1  
GL-S1XXXMP



TOP VIEW

TOP VIEW

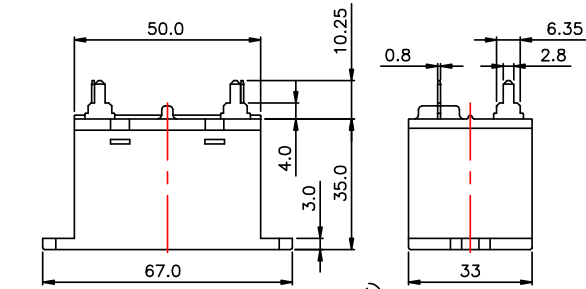
GL-S1XXXM



TOP VIEW

TOP VIEW

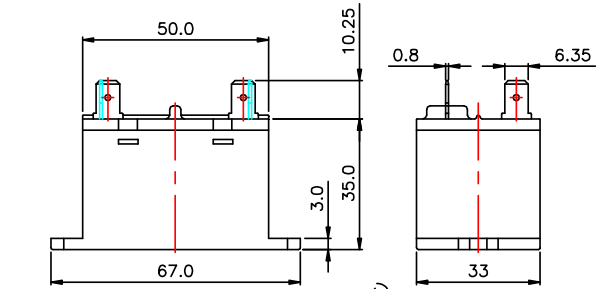
ETR GL-S1-F  
GL-S1XXXMPF



TOP VIEW

TOP VIEW

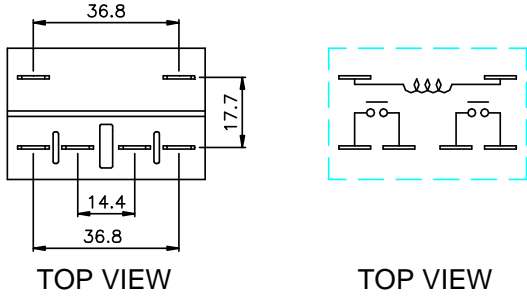
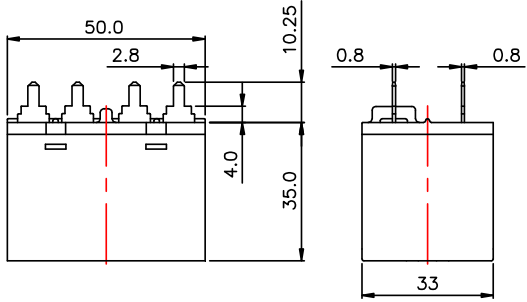
GL-S1XXXMF



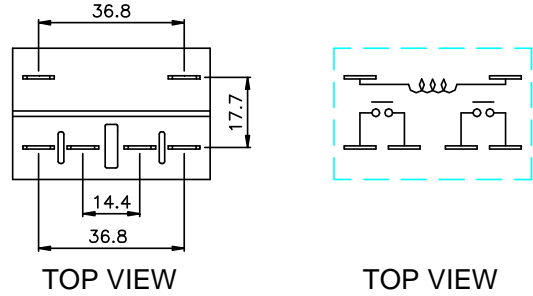
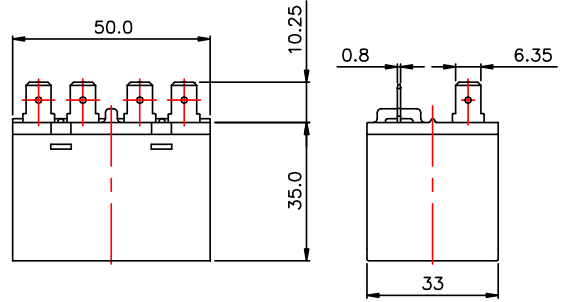
TOP VIEW

TOP VIEW

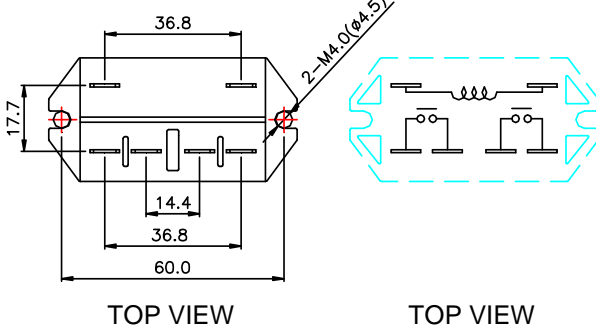
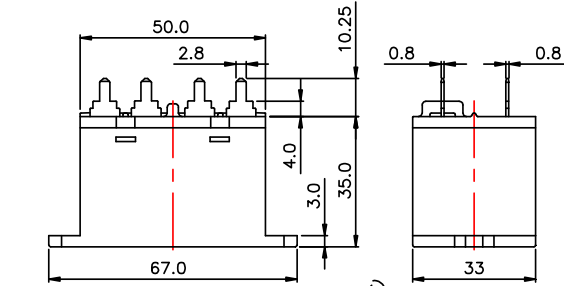
**ETR GL-S2  
GL-S2XXXMP**



**GL-S2XXXM**



**ETR GL-S2-F  
GL-S2XXXMPF**



**GL-S2XXXMF**

