

PLEASE CHECK WWW.MOLEX.COM FOR LATEST PART INFORMATION

Part Number: [5019314070](#)
Status: **Active**
Description: 1.25mm (.049") Pitch Duo-Clasp™ Wire-to-Board PCB Receptacle, Dual Row, Vertical, 40 Circuits

Documents:

[3D Model](#) [Product Specification PS-501931-002 \(PDF\)](#)
[Drawing \(PDF\)](#) [RoHS Certificate of Compliance \(PDF\)](#)
[Application Specification \(PDF\)](#)

General

Product Family PCB Receptacles
 Series [501931](#)
 Application Wire-to-Board
 Product Name Duo-Clasp™

Physical

Circuits (Loaded) 40
 Color - Resin Natural
 Durability (mating cycles max) 30
 Glow-Wire Compliant No
 Guide to Mating Part Yes
 Keying to Mating Part Yes
 Lock to Mating Part Yes
 Mated Height (in) 0.431 In
 Mated Height (mm) 10.95 mm
 Material - Metal Copper Alloy
 Material - Plating Mating Gold
 Material - Plating Termination Tin
 Number of Rows 2
 Orientation Vertical
 PCB Locator No
 PCB Retention Yes
 Packaging Type Embossed Tape on Reel
 Pitch - Mating Interface (in) 0.049 In
 Pitch - Mating Interface (mm) 1.25 mm
 Polarized to Mating Part Yes
 Polarized to PCB No
 Stackable No
 Temperature Range - Operating -25°C to +85°C
 Termination Interface: Style Surface Mount

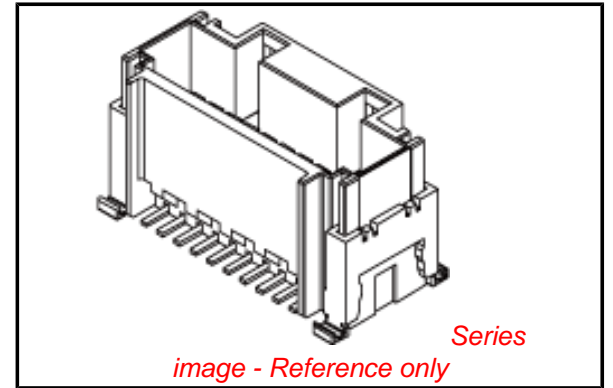
Electrical

Current - Maximum per Contact 1A
 Voltage - Maximum 50V AC (RMS)/DC

Material Info

Reference - Drawing Numbers

Application Specification AS-503110-001, AS-503110-002
 Packaging Specification SPK-501931-001
 Product Specification PS-501931-002, RPS-501931-002
 Sales Drawing SD-501931-001, SD-501931-002



EU RoHS

ELV and RoHS Compliant
REACH SVHC
 Not Reviewed
Halogen-Free Status
Not Reviewed

China RoHS



Need more information on product environmental compliance?

Email productcompliance@molex.com
 For a multiple part number RoHS Certificate of Compliance, [click here](#)

Please visit the [Contact Us](#) section for any non-product compliance questions.

Search Parts in this Series

[501931Series](#)

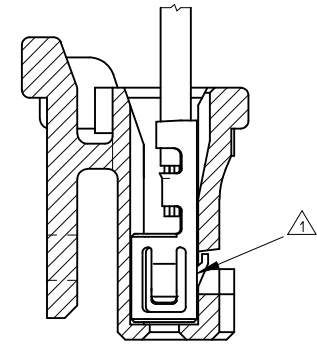
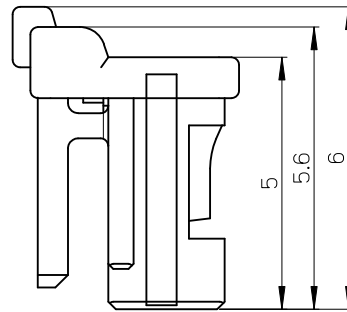
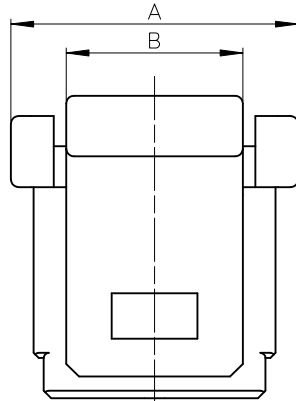
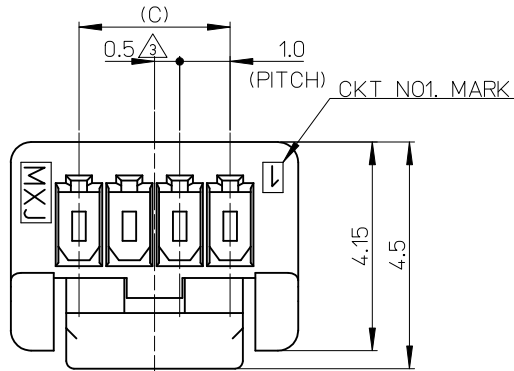
Mates With

[503110](#) Crimp Housing . [501930](#) Crimp Terminal

PLEASE CHECK WWW.MOLEX.COM FOR LATEST PART INFORMATION

NOTES.

- ① 適合ターミナル : 501334-****
APPLICABLE TERMINAL : 501334-****
- ② 嵌合相手 : 501940/501953-****
MATE WITH : 501940/501953-****
- ③ 偶数極に適用
APPLY FOR EVEN CIRCUIT SIZE
- ④ ELV 及び RoHS適合品
ELV AND RoHS COMPLIANT.
- ⑤ 材質
MATERIAL
66ナイロン 66NYLON
ガラス無充填 GLASS FILLED 0%
UL94V-0



ターミナル装着図
TERMINAL ASSEMBLY DRAWING

4.0	3.5	6.7	5
3.0		5.7	4
2.0	2.5	4.7	3
C	B	A	極数 CIRCUITS

CONNECTOR SERIES No. 501939-****

REVISED EC NO: J2010-2217 DRWN:THAYU 2010/05/12 CHKD:AMIZUMURA 2010/05/13 APPR:NUKITA 2010/05/14	GENERAL TOLERANCES (UNLESS SPECIFIED)		DIMENSION STYLE MM ONLY		SCALE 10:1	DESIGN UNITS METRIC	THIRD ANGLE PROJECTION	
	10 UNDER	±0.2	DRAWN BY NYOSHIDA	DATE 2005/09/16	TITLE 1.0 WIRE TO BOARD CONN. 1-ROW RECPTACLE HOUSING POSITIVE LOCK MOLEX INCORPORATED			
	10 OVER 30 UNDER	±0.25	CHECKED BY AMIZUMURA	DATE 2005/09/16				
	30 OVER	±0.3	APPROVED BY MYAGI	DATE 2005/09/16				
ANGULAR	±3 °	MATERIAL NO. SEE SHEET 2		DOCUMENT NO. SD-501939-001		SHEET NO. 1 OF 2		
DRAFT WHERE APPLICABLE MUST REMAIN WITHIN DIMENSIONS		THIS DRAWING CONTAINS INFORMATION THAT IS PROPRIETARY TO MOLEX INCORPORATED AND SHOULD NOT BE USED WITHOUT WRITTEN PERMISSION						

アイボリー IVORY	紫 VIOLET	橙 ORANGE	茶 BROWN	緑 GREEN	色 COLOR
501939-0530	501939-0539	501939-0538	501939-0537	501939-0536	5
501939-0430	501939-0439	501939-0438	501939-0437	501939-0436	4
501939-0330	501939-0339	501939-0338	501939-0337	501939-0336	3
PLASTIC BAG PACKAGE オーダー番号 ORDER NO.	PLASTIC BAG PACKAGE オーダー番号 ORDER NO.	PLASTIC BAG PACKAGE オーダー番号 ORDER NO.	PLASTIC BAG PACKAGE オーダー番号 ORDER NO.	PLASTIC BAG PACKAGE オーダー番号 ORDER NO.	極数 CIRCUITS
CONNECTOR SERIES No. 501939-****					
青 BLUE	黄 YELLOW	赤 RED	黒 BLACK	白 WHITE	色 COLOR
501939-0534	501939-0533	501939-0532		501939-0500	5
501939-0434	501939-0433	501939-0432	501939-0431	501939-0400	4
501939-0334	501939-0333	501939-0332	501939-0331	501939-0300	3
PLASTIC BAG PACKAGE オーダー番号 ORDER NO.	PLASTIC BAG PACKAGE オーダー番号 ORDER NO.	PLASTIC BAG PACKAGE オーダー番号 ORDER NO.	PLASTIC BAG PACKAGE オーダー番号 ORDER NO.	PLASTIC BAG PACKAGE オーダー番号 ORDER NO.	極数 CIRCUITS

REVISED EC NO: J2010-2217 DRWN: THANJU CHKD: KASAKAWA APPR: NUKITA	2010/05/12 2010/05/13 2010/05/14	GENERAL TOLERANCES (UNLESS SPECIFIED)		DIMENSION STYLE MM ONLY		SCALE 10:1	DESIGN UNITS METRIC	THIRD ANGLE PROJECTION		
		10 UNDER	± 0.2	DRAWN BY NYOSHIDA	DATE 2005/09/16	TITLE 1.0 WIRE TO BOARD CONN. 1-ROW RECPTACLE HOUSING POSITIVE LOCK MOLEX INCORPORATED SEE TABLE SD-501939-001				
		10 OVER 30 UNDER	± 0.25	CHECKED BY AMIZUMURA	DATE 2005/09/16					
		30 OVER	± 0.3	APPROVED BY MYAGI	DATE 2005/09/16					
ANGULAR ± 3 °		DRAFT WHERE APPLICABLE MUST REMAIN WITHIN DIMENSIONS		MATERIAL NO.	DOCUMENT NO.					
				SIZE A3	THIS DRAWING CONTAINS INFORMATION THAT IS PROPRIETARY TO MOLEX INCORPORATED AND SHOULD NOT BE USED WITHOUT WRITTEN PERMISSION					

CONNECTOR SERIES No. 501939-****

CONNECTOR SERIES No. 501939-****