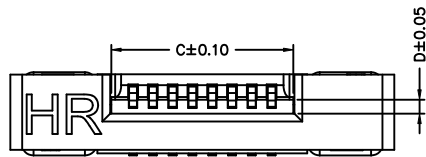
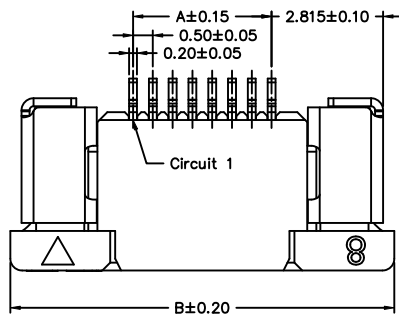
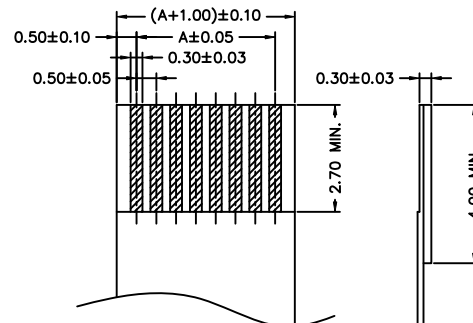


SUGGESTED PCB LAYOUT  
(COMPONENT SIDE)

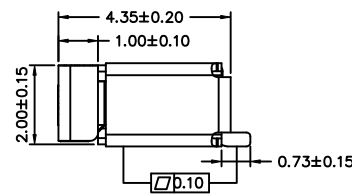
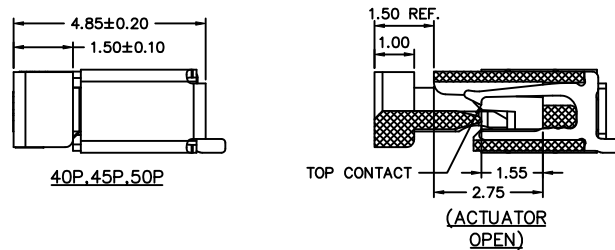


P/N LEGEND

- F0500 WR-S-XP N L N XX X TO R
- ① Series No.  
② Connector type: WR=Right angle  
③ Mounting type: S=SMT without boss  
④ No. of circuits  
⑤ N=Halogen Free  
⑥ Material: L=LCP  
⑦ Color: N=Natural(Beige)  
⑧ Plating code for contacts:  
G1=Gold-flash/G2=Gold-Plated 3u"  
T1=Matte Tin-plated  
⑨ Plating code for solder tabs:  
G=Gold-flash; T=Matte Tin-plated  
⑩ Option code: T0=Top contact style  
⑪ Packing code: R=Tape & Reel



RECOMMENDED FFC/FPC DIMENSION



SPECIFICATIONS

Current Rating: 0.5A AC,DC  
Voltage Rating: 50V AC,DC  
Temperature Range: -25°C ~ +85°C  
Contact Resistance: 30mΩ Max.  
Insulation Resistance: 100MΩ Min.  
Withstanding Voltage: 250V AC/minute  
Contacts: Phosphor Bronze/Gold-flash or Matte Tin-plated  
Solder Tabs: Brass/Gold-flash or Matte Tin-plated  
Housing: LCP,UL94V-0,Natural(Beige)  
Actuator: Nylon 6T,UL94V-0,Natural(Black)

| Circuit No. | Dimensions |       |       |       | Circuit No. | Dimensions |       |       |       |
|-------------|------------|-------|-------|-------|-------------|------------|-------|-------|-------|
|             | A          | B     | C     | D     |             | A          | B     | C     | D     |
| 04P         | 1.50       | 7.70  | 2.60  | 0.300 | 25P         | 12.00      | 18.20 | 13.10 | 0.350 |
| 05P         | 2.00       | 8.20  | 3.10  | 0.300 | 26P         | 12.50      | 18.70 | 13.60 | 0.350 |
| 06P         | 2.50       | 8.70  | 3.60  | 0.300 | 27P         | 13.00      | 19.20 | 14.10 | 0.350 |
| 07P         | 3.00       | 9.20  | 4.10  | 0.350 | 28P         | 13.50      | 19.70 | 14.60 | 0.350 |
| 08P         | 3.50       | 9.70  | 4.60  | 0.350 | 29P         | 14.00      | 20.20 | 15.10 | 0.350 |
| 09P         | 4.00       | 10.20 | 5.10  | 0.350 | 30P         | 14.50      | 20.70 | 15.60 | 0.350 |
| 10P         | 4.50       | 10.70 | 5.60  | 0.350 | 31P         | 15.00      | 21.20 | 16.10 | 0.350 |
| 11P         | 5.00       | 11.20 | 6.10  | 0.350 | 32P         | 15.50      | 21.70 | 16.60 | 0.350 |
| 12P         | 5.50       | 11.70 | 6.60  | 0.350 | 33P         | 16.00      | 22.20 | 17.10 | 0.350 |
| 13P         | 6.00       | 12.20 | 7.10  | 0.350 | 34P         | 16.50      | 22.70 | 17.60 | 0.350 |
| 14P         | 6.50       | 12.70 | 7.60  | 0.350 | 35P         | 17.00      | 23.20 | 18.10 | 0.350 |
| 15P         | 7.00       | 13.20 | 8.10  | 0.350 | 36P         | 17.50      | 23.70 | 18.60 | 0.350 |
| 16P         | 7.50       | 13.70 | 8.60  | 0.350 | 37P         | 18.00      | 24.20 | 19.10 | 0.350 |
| 17P         | 8.00       | 14.20 | 9.10  | 0.350 | 38P         | 18.50      | 24.70 | 19.60 | 0.350 |
| 18P         | 8.50       | 14.70 | 9.60  | 0.350 | 39P         | 19.00      | 25.20 | 20.10 | 0.350 |
| 19P         | 9.00       | 15.20 | 10.10 | 0.350 | 40P         | 19.50      | 25.70 | 20.60 | 0.350 |
| 20P         | 9.50       | 15.70 | 10.60 | 0.350 | 45P         | 22.00      | 28.20 | 23.10 | 0.350 |
| 21P         | 10.00      | 16.20 | 11.10 | 0.350 | 49P         | 24.00      | 30.20 | 25.10 | 0.350 |
| 22P         | 10.50      | 16.70 | 11.60 | 0.350 | 50P         | 24.50      | 30.70 | 25.60 | 0.350 |
| 23P         | 11.00      | 17.20 | 12.10 | 0.350 | 51P         | 25.00      | 31.20 | 26.10 | 0.350 |
| 24P         | 11.50      | 17.70 | 12.60 | 0.350 |             |            |       |       |       |

|                   |              |             |      |  |        |
|-------------------|--------------|-------------|------|--|--------|
|                   |              |             |      | 燦達電子工業股份有限公司<br>JOINT TECH ELECTRONIC IND. CO., LTD.                         |        |
| UNIT              | SCALE        | SHEET       |      | TITLE:   |        |
| mm                | 1 : 1        | 1 of 2      |      | 0.50mm PITCH<br>FFC/FPC CONNECTOR<br>90° SMT TYPE, ZIF,<br>TOP CONTACT STYLE |        |
| DRAWN BY          |              | APPROVED BY |      | DRAW NO. :   |        |
| 權生新               |              | 董正一         |      | F0500WR-S-XPXXXXXXTOX  |        |
| 2012.08.01        |              | 2012.08.01  |      | REV. A2  |        |
| GENERAL TOLERANCE |              |             |      |  |        |
| A2                | EN1603110002 | 2016.03.11  | 徐富永  | X.X±0.25   | ANGLE± |
| A0                | NEW RELEASE  | 2012.08.01  | 權生新  | X.XX±0.15  |        |
| REV.              | DESCRIPTION  | DATE        | NAME | X.XXX±0.05   |        |