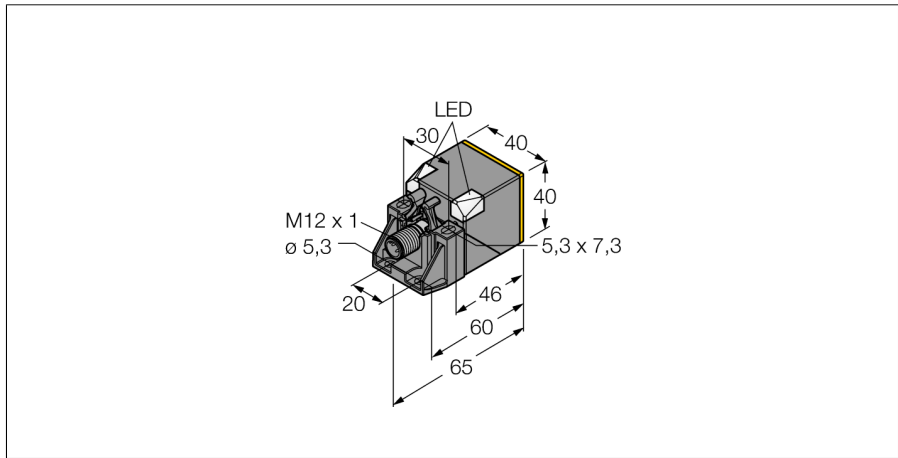


# Inductive sensor

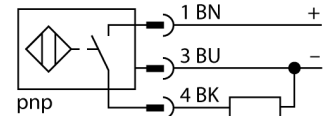
## BI20U-QV40-AP6X2-H1141



- Rectangular, height 40 mm
- Variable orientation of active face in 5 directions without tools
- Plastic, PBT-GF30-V0
- High luminance corner LEDs
- Optimum view on supply voltage and switching state from any position
- Factor 1 for all metals
- Protection class IP68
- Resistant to magnetic fields
- Large coverage
- High switching frequency
- DC 3-wire, 10...30 VDC
- NO contact, PNP output
- M12 x 1 male connector

<b>Type designation</b>	BI20U-QV40-AP6X2-H1141
Ident-No.	1627245
<b>Rated switching distance S<sub>n</sub></b>	20 mm
Mounting conditions	Flush
Secured operating distance	≤ (0,81 x S <sub>n</sub> ) mm
Repeat accuracy	≤ 2 % of full scale
Temperature drift	≤ ± 10 %
Hysteresis	3...15 %
Ambient temperature	-30...+85 °C
<b>Operating voltage</b>	10...30 VDC
Residual ripple	≤ 10 % U <sub>ss</sub>
DC rated operational current	≤ 200 mA
No-load current I <sub>0</sub>	≤ 15 mA
Residual current	≤ 0.1 mA
Isolation test voltage	≤ 0.5 kV
Short-circuit protection	yes/ Cyclic
Voltage drop at I <sub>0</sub>	≤ 1.8 V
Wire breakage/Reverse polarity protection	yes/ Complete
Output function	3-wire, NO contact, PNP
Protection class	□
Switching frequency	0.25 kHz
<b>Design</b>	Rectangular, QV40
Dimensions	65 x 40 x 40 mm variable orientation of active face in 5 directions
Housing material	Plastic, PBT-GF30-V0, Black
Active area material	Plastic, PA6-GF30-X, yellow
Electrical connection	Connector, M12 x 1
Vibration resistance	55 Hz (1 mm)
Shock resistance	30 g (11 ms)
Protection class	IP68
MTTF	874 years acc. to SN 29500 (Ed. 99) 40 °C
Packaging unit	1
<b>Power-on indication</b>	2 x LEDs, Green
Switching state	2 x LEDs, Yellow
Included in delivery	Fixing clamp for QV40

### Wiring Diagram

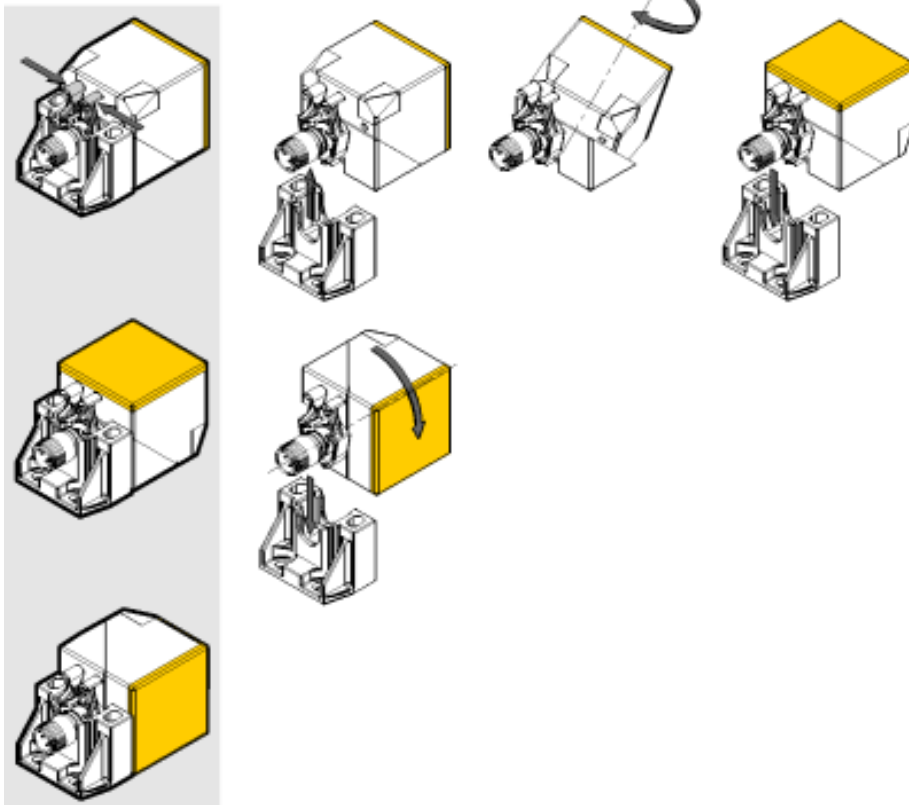
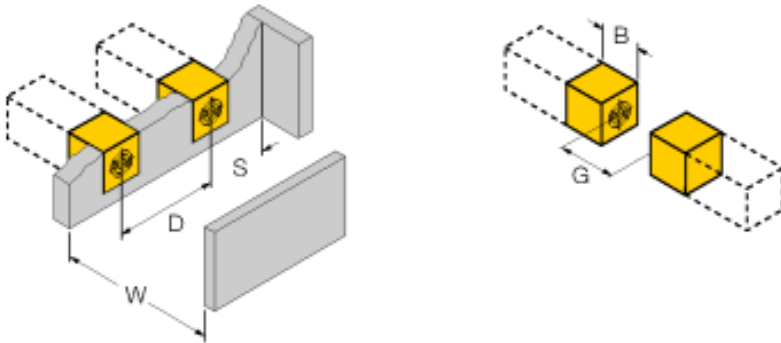


### Functional principle

Inductive sensors detect metal objects contactless and wear-free. Due to the patented multicore system, *uprox*+ sensors have distinct advantages over conventional sensors. They excel in largest switching distances, maximum flexibility and operational reliability as well as efficient standardization. The active face can be aligned in 5 directions without tools. The sensor is thus installed comfortably, simply and quickly where necessary.

**Inductive sensor**  
**BI20U-QV40-AP6X2-H1141**

Distance D	80 mm
Distance W	60 mm
Distance S	40 mm
Distance G	120 mm
<hr/>	
Width active area B	40 mm



The active face can be moved in 5 directions without tools.

Squeeze the bracket to release the sensor from the fixing clamp. Now, move the active face in the wanted position.

Once the final position is attained, clip in the sensor. The sensor is now securely arrested.

**Accessories**

Type code	Ident-No.	Description	
BSS-CP40	6901318	Mounting bracket for rectangular devices; material: Polypropylene	