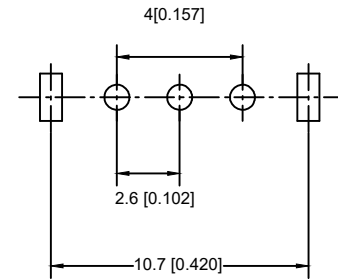
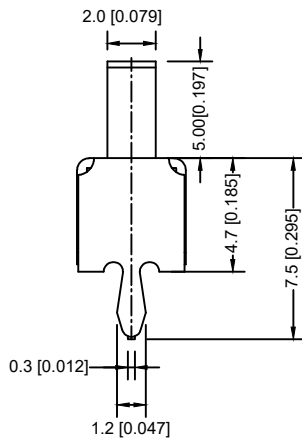
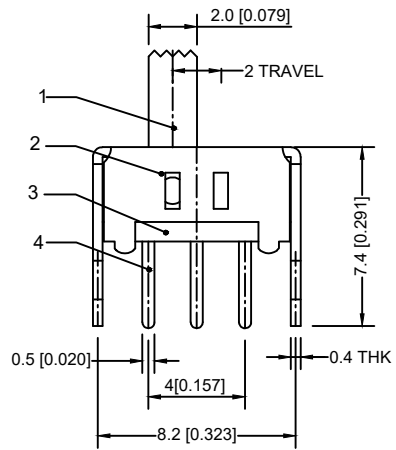


SCHEMATIC (NON-SHORTING)



P.C.B LAYOUT  
BOTTOM VIEW



④	Terminal	—	3	Brass (0.30t)	ag Plated	—
③	Base	—	1	Phenolic Resin		—
②	Cover	—	1	Sus	Natural	—
①	Keystake	—	1	Pa66	Black	—
<b>ITEM</b>	<b>PAPT NAME</b>	<b>TER,NO</b>	<b>QTY</b>	<b>MATERIAL</b>	<b>FINISHING</b>	<b>REMARK</b>

RATING	0.3A 50V DC
CIRCUIT	1P2T
CONTACT RESISTANCE	100mΩ MAX
TRAVEL	2mm
OPERATING FORCE	250±100gf
OPERATING LIFE(CYCLES)	10,000

A4				
A3				
A2				
A1				
REV	DATE	REVISION DESCRIPTION	ISSUE	



COMMON TOLERANCE	
X.XX	± 0.10
X.X	± 0.15
X	± 0.25
ANGULAR	—

UNIT	MM	PROJECTED		PRODUCT NAME:
DRAWN BY	FUYUAN	CHECKED BY	COCO	MODEL NO: SS-12D07-5
DATE	2019	APPROVAL B	ALEN	Https: www.rocpcu.tw

**ROCPCU TECHNOLOGY CO.,LTD**

Copies are issued in strict confidence and shall not be reproduced or copied, or used as the basic of manufacture or sale of apparatus without permission