

RoHS & HF Compliant

NOTE:

- Material:
  - Housing: Thermoplastics,UL94V-0;PBT,White(Halogen Free)
  - Contact: Copper Alloy
  - Inner Shell: Copper Alloy
  - Outer Shell: LCP-E130i,Black;Thermoplastics,UL94V-0,T>0.45mm,(Halogen free)
- Finish:
  - Contact: Glod Flash Plated on Contact Area, 80u" Min.Tin Plated on Solder Tails Area, 50u" Min.Nickel Underplating Over All.
  - Shell: 50u" Min.Nickel Underplating Over All.
- Specification:
  - Rated current: 1.5 A  
Insulation Resistance: 1000MΩ Min. at 500V/DC for 1Minute.  
Withstanding voltage: 500 VAC/minute  
Contact Resistance: 30mΩ Max.
  - MECHANICAL  
Mating force: 20N Max.  
Unmating force:10~20N.  
Durability: 3000 cycles Min.
- Ordering information

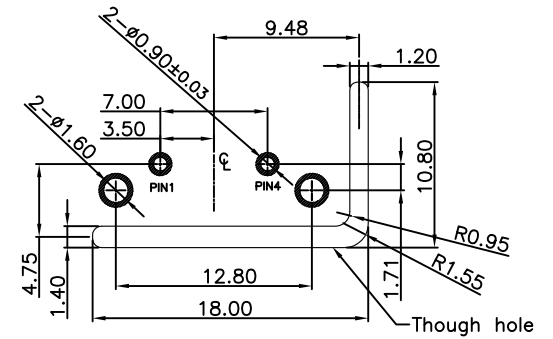
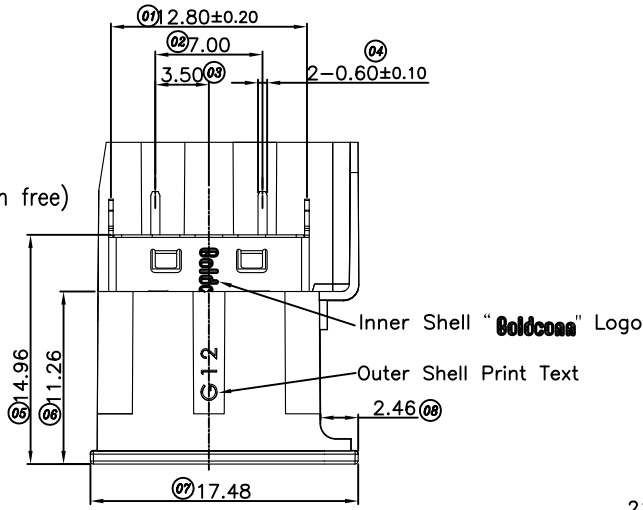
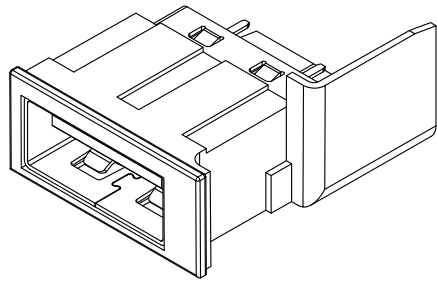
USB-AF-DIP-251-HW-2L

USB SERIES  
CONNECTOR TYPE  
A TYPE FEMALE

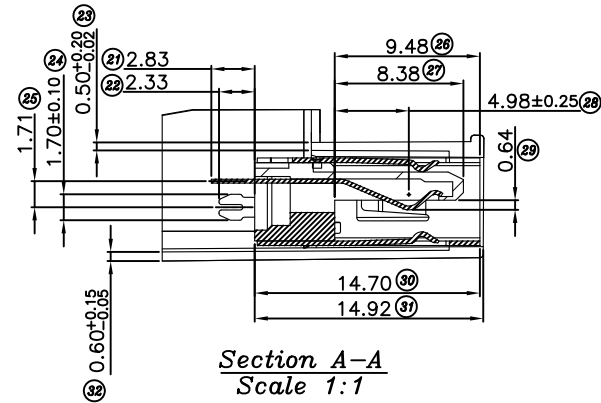
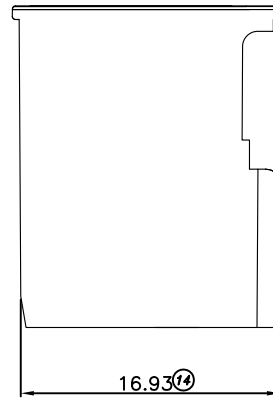
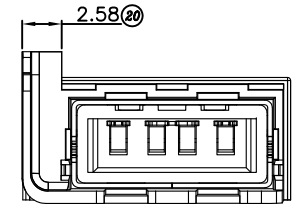
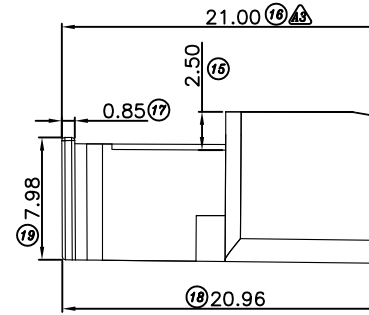
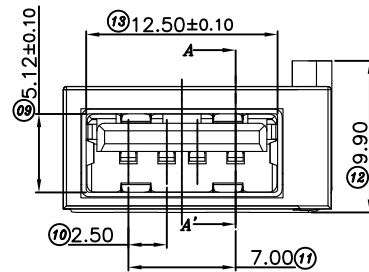
2 dip(Terminal),  
Outer Shell:LCP-E130i  
Halogen Free,White

FOLLOW NUMBER

CONNECTOR STYLE  
DIP TYPE



RECOMMENDED PCB LAYOUT(TOP VIEW)  
GENERAL TOLERANCES:±0.05



4	Outer Shell	HUB42L-1E1-BX00-H	LCP-E130i,黑色,无卤	1PCS
3	Inner Shell	GUB25B-1F2-SN12	铜壳镀可焊镍50u Min.	1PCS
2	Terminal	GUB26P-1H1-VP01	接触区镀金1u" 焊接区镀亮锡80u"Min.	4PCS
1	Housing	HUB05T-1A3-WX00-H	PBT,White,无卤	1PCS

A3	Outer Shell shorten 1mm	19.03.15	Lua	Ysh	张数	1/1	TOLERANCE UNLESS OTHERWISE SPECIFIED	图号	USB-AF-DIP-251-HW-2L
A2	Outer Shell Add Print Text	17.07.04	XCL	Stanly	比例	1:1	■ Cp/Cpk and SPC Control Item	名称	USB AF 180° FEMALE
A1	Modify Outer Shell	17.06.08	Lxb	Stanly	单位	MM		角法	(0=17.48, 1=22.0, 前4位2, 2, 3Pin Short, White)
A0	NEW ISSUE	16.05.17			版本	Xcl	.X±0.30 .X'±3'	客户图	
REV.	设定内容	日期	修改	核准	审核		.XX±0.25 .X'±1'		
	MODIFICATION	DATE	DRAW	APPROVE	CHECKED		.XXX±0.10 .XX±		

HJ-Tech 东莞市皇捷通讯科技有限公司	BRUNGAN HUANGJIE COMMUNICATION TECHNOLOGY CO., LTD.
名称	USB AF 180° FEMALE
图号	USB-AF-DIP-251-HW-2L
角法	(0=17.48, 1=22.0, 前4位2, 2, 3Pin Short, White)
客户图	