

***RoHS Compliant***

# **Serial ATA Flash Drive**

***Specifications for SAFD 18P***

**June 26<sup>th</sup>, 2013**

***Version 1.4***



***Apacer Technology Inc.***

4<sup>th</sup> Fl., 75 Hsin Tai Wu Rd., Sec.1, Xizhi, New Taipei City, Taiwan 221

Tel: +886-2-2698-2888 Fax: +886-2-2698-2889

[www.apacer.com](http://www.apacer.com)

## Features:

- **Standard Serial ATA Interface**
  - Serial ATA Revision 2.6
  - SATA 3.0 Gbps
  - ATA-compatible command set
- **Capacities**
  - 8, 16, 32, 64, 128 GB
- **Performance\***
  - Burst read/write: 300 MB/sec
  - Sustained read: up to 260 MB/sec
  - Sustained write: up to 215 MB/sec
- **Intelligent endurance design**
  - Built-in hardware ECC, enabling up to 16/24 bit correction per 1024 bytes
  - Static wear-leveling scheme together with dynamical block allocation to significantly increase the lifetime of a flash device and optimize the disk performance
  - Flash bad-block management
  - S.M.A.R.T.
  - Power Failure Management
  - ATA Secure Erase
  - TRIM
- **NAND Flash Type: SLC**
- **Temperature ranges**
  - Operating:
    - Standard: 0°C to 70°C (32 ~ 158°F)
    - Extended: -40°C to 85°C (-40° ~ 185°F)
  - Storage: -40°C to 100°C (-40° ~ 212°F)
- **Supply voltage**
  - 3.3V & 5V
- **Power consumption (typical)\***
  - Active mode: 978 mA
  - Idle mode: 303 mA
- **Form factor**
  - 1.8 inch (78.5 x 54 x 5, unit: mm)
- **Connector**
  - 7-pin SATA male connector
  - 9-pin SATA power connector
- **Shock & Vibration\*\***
  - Shock: 1500 G
  - Vibration: 15 G
- **MTBF > 2,000,000 hours**
- **RoHS compliant**

\*Varies from capacities. The values addressed for performance and power consumption are typical and may vary depending on settings and platforms.

\*\*Non-operating

---

## Table of Contents

<b>1. Product Description .....</b>	<b>3</b>
1.1 Introduction .....	3
1.2 Functional Block Diagram.....	3
1.3 ATA Mode Support.....	4
1.4 Capacity Specification.....	4
1.5 Performance.....	4
1.6 Pin Assignments .....	5
<b>2. Software Interface .....</b>	<b>7</b>
2.1 Command Set .....	7
2.2 S.M.A.R.T. ....	8
<b>3. Flash Management .....</b>	<b>9</b>
3.1 Error Correction/Detection .....	9
3.2 Flash Block Management .....	9
3.3 Wear Leveling.....	9
3.4 Power Failure Management .....	9
3.5 ATA Secure Erase .....	9
3.6 TRIM.....	10
<b>4. Environmental Specifications .....</b>	<b>11</b>
4.1 Environments.....	11
4.2 Mean Time Between Failures (MTBF).....	11
4.3 Certification and Compliance .....	11
<b>5. Electrical Characteristics .....</b>	<b>12</b>
5.1 Operating Voltage .....	12
5.2 Power Consumption.....	12
<b>6. Physical Characteristics.....</b>	<b>13</b>
<b>7. Product Ordering Information.....</b>	<b>15</b>
7.1 Product Code Designations .....	15
7.2 Valid Combinations.....	16

# 1. Product Description

## 1.1 Introduction

Apacer's Serial ATA Flash Drive (SAFD) is a solid-state disk (SSD) drive that contains a controller, embedded firmware, and flash media along with a male connector. Using NAND flash memory devices, the drive transfers data between the host and the storage devices at a radical high speed, making it a great partner for embedded systems and servers.

SAFD 18P drive is designed with a single-chip controller, offering capacities of up to 128 gigabytes and providing full support for the SATA 3.0 Gbps high-speed interface standard. It can operate at sustained access rates of up to higher than 260 megabytes per second, providing an ideal solution for industrial applications.

In addition, SAFD 18P adopts the Apacer-specific static wear-leveling scheme to allow uniform use of all storage blocks, ensuring that the lifetime of a flash media can be significantly increased and the disk performance is optimized as well. SAFD 18P provides the S.M.A.R.T. feature that follows the SATA Rev. 2.6, ATA/ATAPI specifications and uses the standard SMART command B0h to read data from the drive. This feature protects the user from unscheduled downtime by monitoring and storing critical drive performance.

## 1.2 Functional Block Diagram

SAFD 18P drive includes a single-chip SATA Controller and the flash media, as well as the SATA standard interface. The controller integrates the flash management unit with the controller itself to support multi-channel, multi-bank flash arrays. Figure 1-1 shows the functional block diagram.

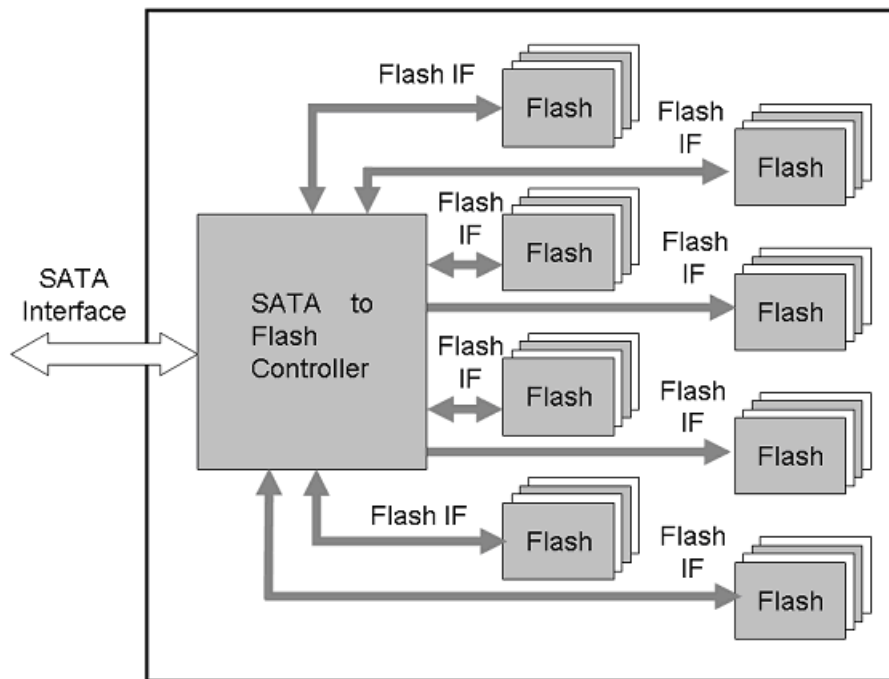


Figure 1-1 Apacer SAFD 18P block diagram

### 1.3 ATA Mode Support

SAFD 18P provides ATA mode support as follows:

- Up to PIO mode-4
- Up to Multiword DMA mode-2
- Up to UDMA mode-4

### 1.4 Capacity Specification

Capacity specification of SAFD 18P product family is available as shown in Table 1-1. It lists the specific capacity, the default numbers of logical cylinders and heads, and the number of logical sectors per track for each product line.

**Table 1-1** Capacity specification

Capacity	Total Bytes*	Cylinders	Heads	Sectors	Max LBA**
8 GB	7,012,196,352	13,587	16	63	13,695,696
16 GB	16,013,942,784	16383	16	63	31,277,232
32 GB	32,017,047,552	16,383	16	63	62,533,296
64 GB	64,023,257,088	16383	16	63	125,045,44
128 GB	128,035,676,10	16383	16	63	250,069,60

\*Display of total bytes varies from file systems.

\*\*Cylinders, heads or sectors are not applicable for these capacities. Only LBA addressing applies.

\*\*\*Notes: 1 GB = 1,000,000,000 bytes; 1 sector = 512 bytes.

LBA count addressed in the table above indicates total user storage capacity and will remain the same throughout the lifespan of the device. However, the total usable capacity of the SSD is most likely to be less than the total physical capacity because a small portion of the capacity is reserved for device maintenance usages.

### 1.5 Performance

Performance of SAFD 18P is shown in Table 1-2.

**Table 1-2** Performance specifications

Capacity	8 GB	16 GB	32 GB	64 GB	128 GB
Performance					
<b>Sustained Read (MB/s)</b>	255	260	260	260	245
<b>Sustained Write (MB/s)</b>	100	205	190	215	165

Note:

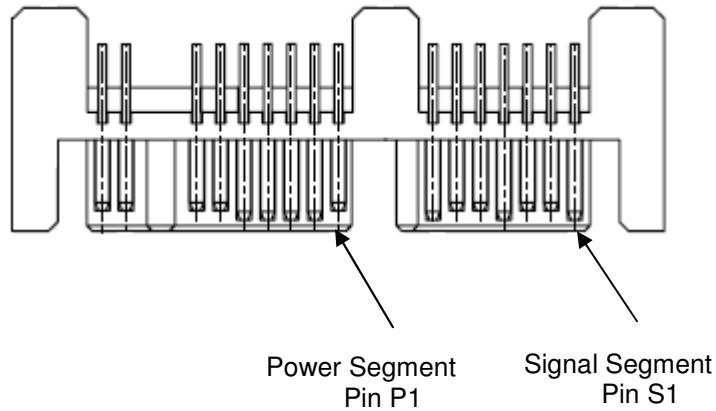
Performances vary from flash configurations and host system configurations.

Read/write performance is measured using CrystalDiskMark under Windows XP operating system.

## 1.6 Pin Assignments

Table 1-3 describes SAFD 18P signal segment, and Table 1-4, its power segment.

**Figure 1-2** Micro-SATA Connectors



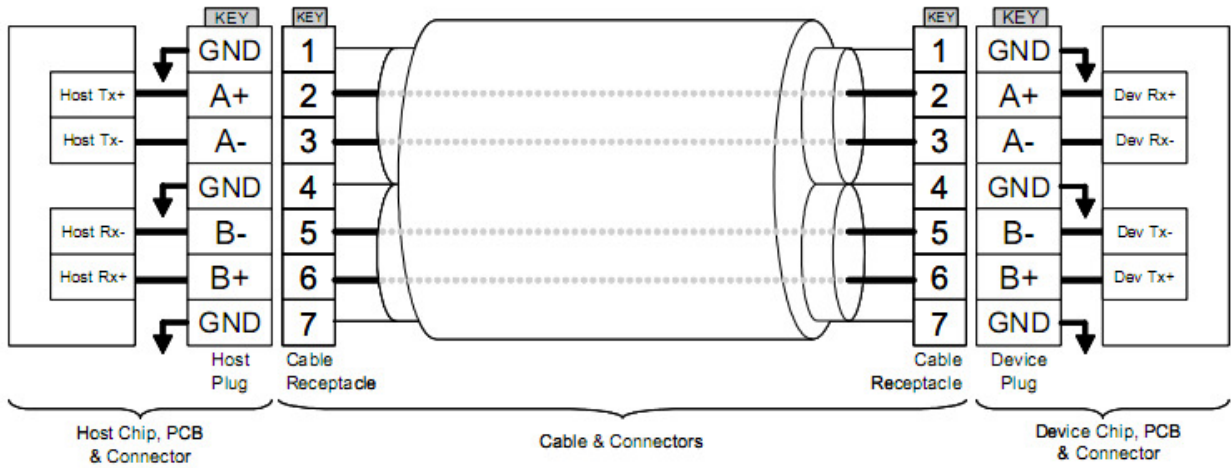
**Table 1-3** Signal segment

Name	Type	Description
S1	GND	
S2	RxP	+ Differential Receive Signal
S3	RxN	- Differential Receive Signal
S4	GND	
S5	TxN	- Differential Transmit Signal
S6	TxP	+ Differential Transmit Signal
S7	GND	

**Table 1-4** Power segment

Pin	Type	Signal/Description
P1	V33	3.3 V Power
P2	V33	3.3 V Power
P3	GND	
P4	GND	
P5	V5	5 V Power
P6	V5	5 V Power
P7	GND	Reserved
P8	Optional	NC
P9	Optional	NC

# Serial ATA Flash Drive APS18P6Axxxx-5XXX



**Figure 1-3** SATA Cable/Connector Connection Diagram

The connector on the left represents the Host with TX/RX differential pairs connected to a cable. The connector on the right shows the Device with TX/RX differential pairs also connected to the cable. Notice also the ground path connecting the shielding of the cable to the Cable Receptacle.

## 2. Software Interface

### 2.1 Command Set

Table 2-1 summarizes the ATA commands supported by SAFD 18P-M.

**Table 2-1** Command set

Command	Code
Check-Power-Mode	E5H
Execute-Drive-Diagnostic	90H
Flush-Cache	E7H
Identify-Drive	ECH
Idle	E3H
Idle-Immediate	E1H
Initialize-Drive-Parameters	91H
Read-DMA	C8H or C9H
Read-Multiple	C4H
Read-Sector(s)	20H or 21H
Read-Verify-Sector(s)	40H or 41H
Recalibrate	10H
Security-Disable-Password	F6H
Security-Erase-Prepare	F3H
Security-Erase-Unit	F4H
Security-Freeze-Lock	F5H
Security-Set-Password	F1H
Security-Unlock	F2H
Seek	7XH
Set-Features	EFH
Set-Multiple-Mode	C6H
Sleep	E6H
SMART	B0H
Standby	E2H
Standby-Immediate	E0H
Write-DMA	CAH
Write-Multiple	C5H
Write-Sector(s)	30H



---

## **2.2 S.M.A.R.T.**

---

S.M.A.R.T. is an abbreviation for Self-Monitoring, Analysis and Reporting Technology, a self-monitoring system that provides indicators of drive health as well as potential disk problems. It serves as a warning for users from unscheduled downtime by monitoring and displaying critical drive information. Ideally, this should allow taking proactive actions to prevent drive failure and make use of S.M.A.R.T. information for future product development reference.

Apacer devices use the standard SMART command B0h to read data out from the drive to activate our S.M.A.R.T. feature that complies with the ATA/ATAPI specifications. S.M.A.R.T. Attribute IDs shall include initial bad block count, total later bad block count, maximum erase count, average erase count, power on hours and power cycle. When the S.M.A.R.T. Utility running on the host, it analyzes and reports the disk status to the host before the device reaches in critical condition.

Note: attribute IDs may vary from product models due to various solution design and supporting capabilities.

---

## 3. Flash Management

### 3.1 Error Correction/Detection

---

SAFD 18P implements hardware ECC scheme based on the BCH algorithm which can detect and correct up to 16 bits or 24 bits error in 1024 bytes.

### 3.2 Flash Block Management

---

Current production technology is unable to guarantee total reliability of NAND flash memory array. When a flash memory device leaves factory, it comes with a minimal number of initial bad blocks during production or out-of-factory as there is no currently known technology that produce flash chips free of bad blocks. In addition, bad blocks may develop during program/erase cycles. When host performs program/erase command on a block, bad block may appear in Status Register. Since bad blocks are inevitable, the solution is to keep them in control. Apacer flash devices are programmed with ECC, block mapping technique and S.M.A.R.T to reduce invalidity or error. Once bad blocks are detected, data in those blocks will be transferred to free blocks and error will be corrected by designated algorithms.

### 3.3 Wear Leveling

---

Flash memory devices differ from Hard Disk Drives (HDDs) in terms of how blocks are utilized. For HDDs, when a change is made to stored data, like erase or update, the controller mechanism on HDDs will perform overwrites on blocks. Unlike HDDs, flash blocks cannot be overwritten and each P/E cycle wears down the lifespan of blocks gradually. Repeatedly program/erase cycles performed on the same memory cells will eventually cause some blocks to age faster than others. This would bring flash storages to their end of service term sooner. Wear leveling is an important mechanism that level out the wearing of blocks so that the wearing-down of blocks can be almost evenly distributed. This will increase the lifespan of SSDs. Commonly used wear leveling types are Static and Dynamic.

### 3.4 Power Failure Management

---

Power Failure Management plays a crucial role when experiencing unstable power supply. Power disruption may occur when users are storing data into the SSD. In this urgent situation, the controller would run multiple write-to-flash cycles to store the metadata for later block rebuilding. This urgent operation requires about several milliseconds to get it done. At the next power up, the firmware will perform a status tracking to retrieve the mapping table and resume previously programmed NAND blocks to check if there is any incompleteness of transmission.

Note: The controller unit of this product model is designed with a DRAM as a write cache for improved performance and data efficiency. Though unlikely to happen in most cases, the data cached in the volatile DRAM might be potentially affected if a sudden power loss takes place before the cached data is flushed into non-volatile NAND flash memory.

### 3.5 ATA Secure Erase

---

ATA Secure Erase is an ATA disk purging command currently embedded in most of the storage drives. Defined in ATA specifications, (ATA) Secure Erase is part of Security Feature Set that allows storage drives to erase all user data areas. The erase process usually runs on the firmware level as most of the ATA-based storage media currently in the market are built-in with this command. ATA Secure Erase can securely wipe out the user data in the drive and protects it from malicious attack.

## 3.6 TRIM

---

TRIM, though in capital letters usually, is a memory computation command rather than an abbreviation. It is mainly a SATA command that enables the operating system to inform the SSD (Solid State Drive) which blocks of previously stored data are no longer valid, due to erases by the host or operating system, such as file deletions or disk formatting. Once notified, SSD will begin the discard of the invalid LBAs and retain more space for itself, in fact, the discarded is no longer recoverable.

When an LBA is replaced by the operating system, as with overwrite of a file, the SSD is informed that the originally occupied LBA is determined as no longer in use or invalid. The SSD will not save those blocks in garbage collected sectors. Noticeably, a file deletion command by host or operating system never actually erases the actual content, rather, just the file is marked as deleted. This issue is even specifically noticeable for flash based memory devices, such as SSDs. In fact, an SSD will keep garbage collecting the invalid, previously occupied LBAs, if it is not informed that these LBAs can be erased. Thus, the SSD would experience a significant performance downfall.

---

## 4. Environmental Specifications

### 4.1 Environments

---

SAFD 18P environmental specifications follow the US Military Standard MIL-STD-810F, as shown in Table 4-1.

**Table 4-1** SAFD 18P environmental specifications

Environment	Specification
Temperature	0°C to 70°C (Operating – Standard); -40°C to 85°C (Operating – ET*)
	-40°C to 100°C (Non-operating)
Vibration**	Sine wave, 10 ~ 2000Hz Acceleration 15 G, X, Y, Z axis
Shock**	Half sine wave 1500 G, ± X, ±Y, ±Z axis

\*Extended Temperature

\*\*Non-operating conditions

### 4.2 Mean Time Between Failures (MTBF)

---

Mean Time Between Failures (MTBF) is predicted based on reliability data for the individual components in SAFD drive. Serving as statistical reference, the prediction result for SAFD 18P is more than 2,000,000 hours.

Notes about the MTBF:

The MTBF is predicated and calculated based on “Telcordia Technologies Special Report, SR-332, Issue 2” method.

### 4.3 Certification and Compliance

---

SAFD 18P drive complies with the following standards:

- CE
- FCC
- RoHS
- MIL-STD-810F

---

## 5. Electrical Characteristics

### 5.1 Operating Voltage

---

Table 5-1 lists the supply voltage for SAFD 18P.

**Table 5-1** SAFD 18P operating voltage

Parameter	Conditions
Supply voltage	3.3V $\pm$ 5% (3.135-3.465V) / 5V $\pm$ 5% (4.75-5.25V)

### 5.2 Power Consumption

---

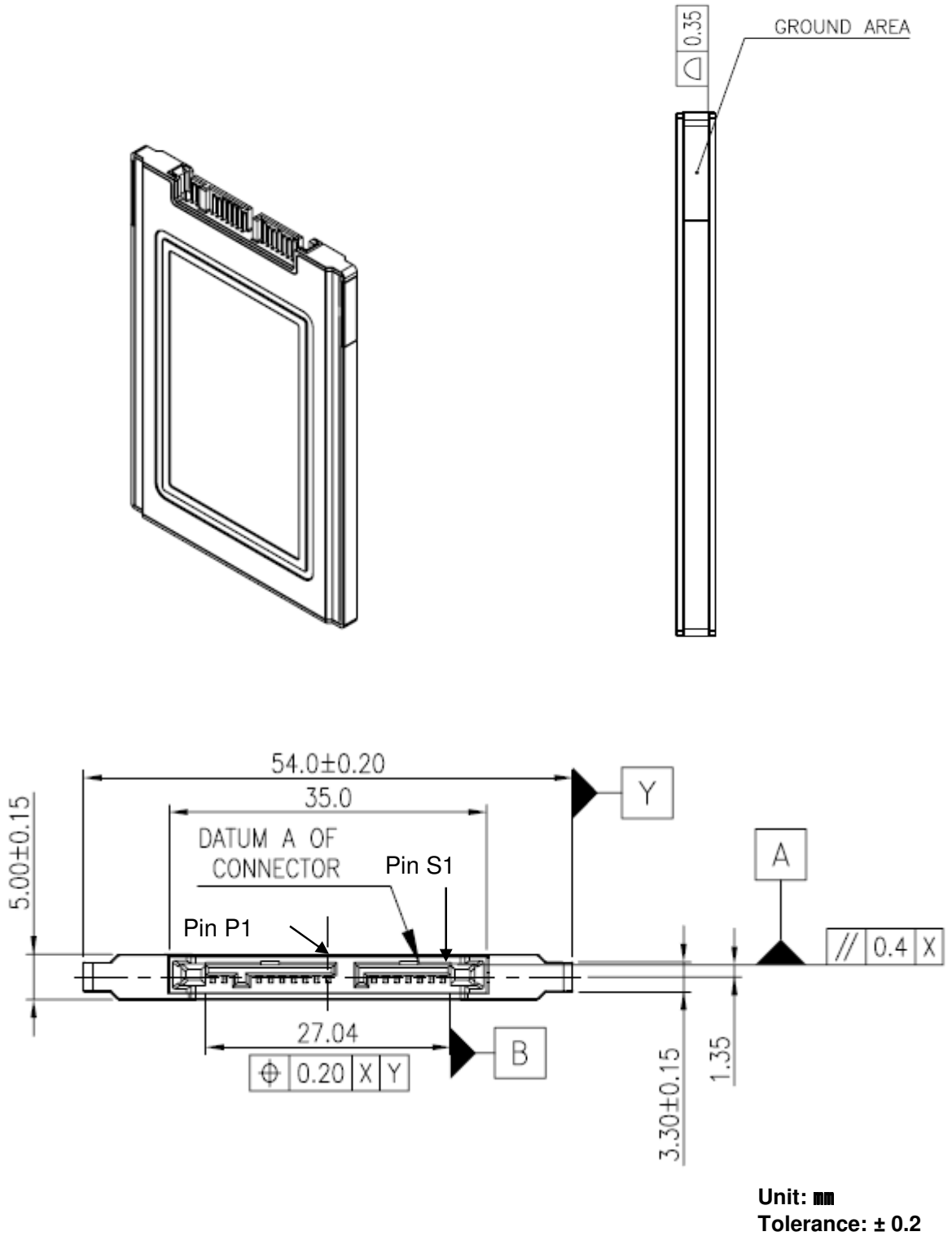
Table 5-2 lists SAFD 18P power consumption.

**Table 5-2** SAFD 18P power consumption (Typical)

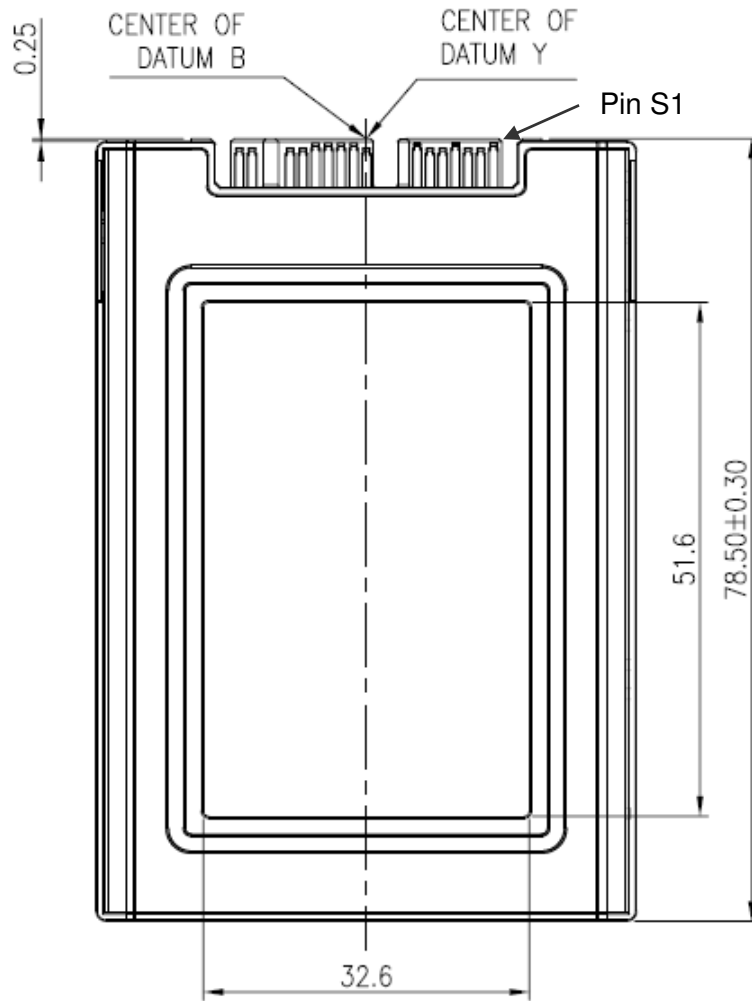
Mode \ Capacity	8 GB	16 GB	32 GB	64 GB	128 GB
Active Mode (mA)	610	920	978	800	600
Idle Mode (mA)	290	300	303	300	250

Note: power consumptions may vary depending on different flash configurations or platforms.

## 6. Physical Characteristics



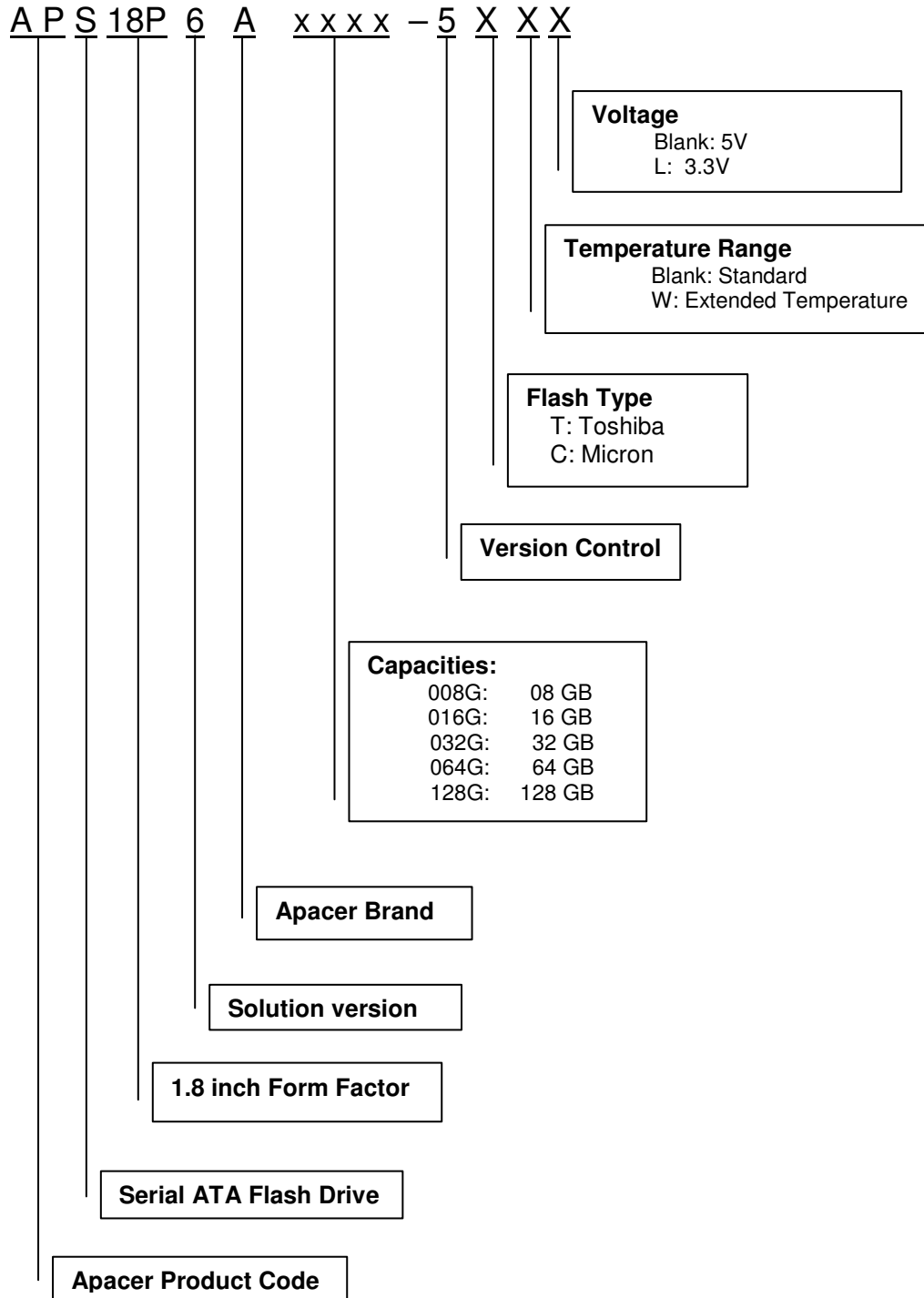
Serial ATA Flash Drive  
APS18P6Axxxx-5XXX



Unit: mm  
Tolerance: ± 0.2

## 7. Product Ordering Information

### 7.1 Product Code Designations





---

## 7.2 Valid Combinations

---

### SAFD18P (voltage: 5V)

Capacity	Standard	Extended Temperature
8 GB	APS18P6A008G-5T	APS18P6A008G-5TW
16 GB	APS18P6A016G-5T	APS18P6A016G-5TW
32 GB	APS18P6A032G-5T	APS18P6A032G-5TW
64 GB	APS18P6A064G-5C	APS18P6A064G-5CW
128 GB	APS18P6A0128G-5C	APS18P6A128G-5CW

### SAFD18P (voltage: 3.3V)

Capacity	Standard	Extended Temperature
8 GB	APS18P6A008G-5TL	APS18P6A008G-5TWL
16 GB	APS18P6A016G-5TL	APS18P6A016G-5TWL
32 GB	APS18P6A032G-5TL	APS18P6A032G-5TWL
64 GB	APS18P6A064G-5CL	APS18P6A064G-5CWL
128 GB	APS18P6A128G-5CL	APS18P6A128G-5CWL

Note: Please consult with Apacer sales representatives for availabilities.

---

## Revision History

Revision	Description	Date
0.1	Preliminary release	09/02/2011
0.2	Added 64GB & 128GB capacities Updated Product Ordering Information	10/17/2011
0.3	Updated Product Ordering Information	11/17/2011
1.0	Official release	11/30/2011
1.1	Revised S.M.A.R.T information	03/23/2012
1.2	Added Endurance subsection Revised Environmental section	05/24/2012
1.3	Updated Product Ordering Information due to firmware upgrade	11/09/2012
1.4	Updated Product Ordering Information due to firmware upgrade	06/26/2013

---

## Global Presence

### Taiwan (Headquarters)

**Apacer Technology Inc.**  
4<sup>th</sup> Fl., 75 Hsin Tai Wu Rd., Sec.1  
Xizhi, New Taipei City  
Taiwan 221  
R.O.C.  
Tel: +886-2-2698-2888  
Fax: +886-2-2698-2889  
[amtsales@apacer.com](mailto:amtsales@apacer.com)

### U.S.A.

**Apacer Memory America, Inc.**  
386 Fairview Way, Suite102,  
Milpitas, CA 95035  
Tel: 1-408-518-8699  
Fax: 1-408-935-9611  
[sa@apacerus.com](mailto:sa@apacerus.com)

### Japan

**Apacer Technology Corp.**  
5F, Matsura Bldg., Shiba, Minato-Ku  
Tokyo, 105-0014, Japan  
Tel: 81-3-5419-2668  
Fax: 81-3-5419-0018  
[jpservices@apacer.com](mailto:jpservices@apacer.com)

### Europe

**Apacer Technology B.V.**  
Science Park Eindhoven 5051 5692 EB Son,  
The Netherlands  
Tel: 31-40-267-0000  
Fax: 31-40-267-0000#6199  
[sales@apacer.nl](mailto:sales@apacer.nl)

### China

**Apacer Electronic (Shanghai) Co., Ltd**  
1301, No.251,Xiaomuqiao Road, Shanghai,  
200032, China  
Tel: 86-21-5529-0222  
Fax: 86-21-5206-6939  
[sales@apacer.com.cn](mailto:sales@apacer.com.cn)

### India

**Apacer Technologies Pvt Ltd,**  
# 535, 1st Floor, 8th cross, JP Nagar 3rd Phase,  
Bangalore – 560078, India  
Tel: 91-80-4152-9061  
[sales\\_india@apacer.com](mailto:sales_india@apacer.com)