

## Position Sensors

### ADAPTOR SET

(VOS2T use)

#### Functions & Features

- Used to replace the VOS Series with the VOS2T
- Adaptor plate with a dedicated lever adjusts the mounting hole positions of the two models without need for extra fitting
- Clamp Set (model: VOCP) connecting the VOS with a valve can be also used

### MODEL: VOAT-[1]

#### ORDERING INFORMATION

- Code number: VOAT-[1]

Specify a code from below for [1].

(e.g. VOAT-A)

#### [1] LEVER

**A:** Attached to the upper side

Effective radius 20 - 30 mm (0.79" - 1.18")

**B:** Attached to the upper side

Effective radius 25 - 60 mm (0.98" - 2.36")

**C:** Attached to the upper side

Effective radius 30 - 100 mm (1.18" - 3.94")

**D:** Attached to the lower side

Effective radius 10 - 30 mm (0.39" - 1.18")

**E:** Attached to the lower side

Effective radius 25 - 60 mm (0.98" - 2.36")

**F:** Attached to the lower side

Effective radius 30 - 100 mm (1.18" - 3.94")

#### GENERAL SPECIFICATIONS

##### Materials

**Lever:** Stainless steel

**Adaptor plate:** Aluminium alloy

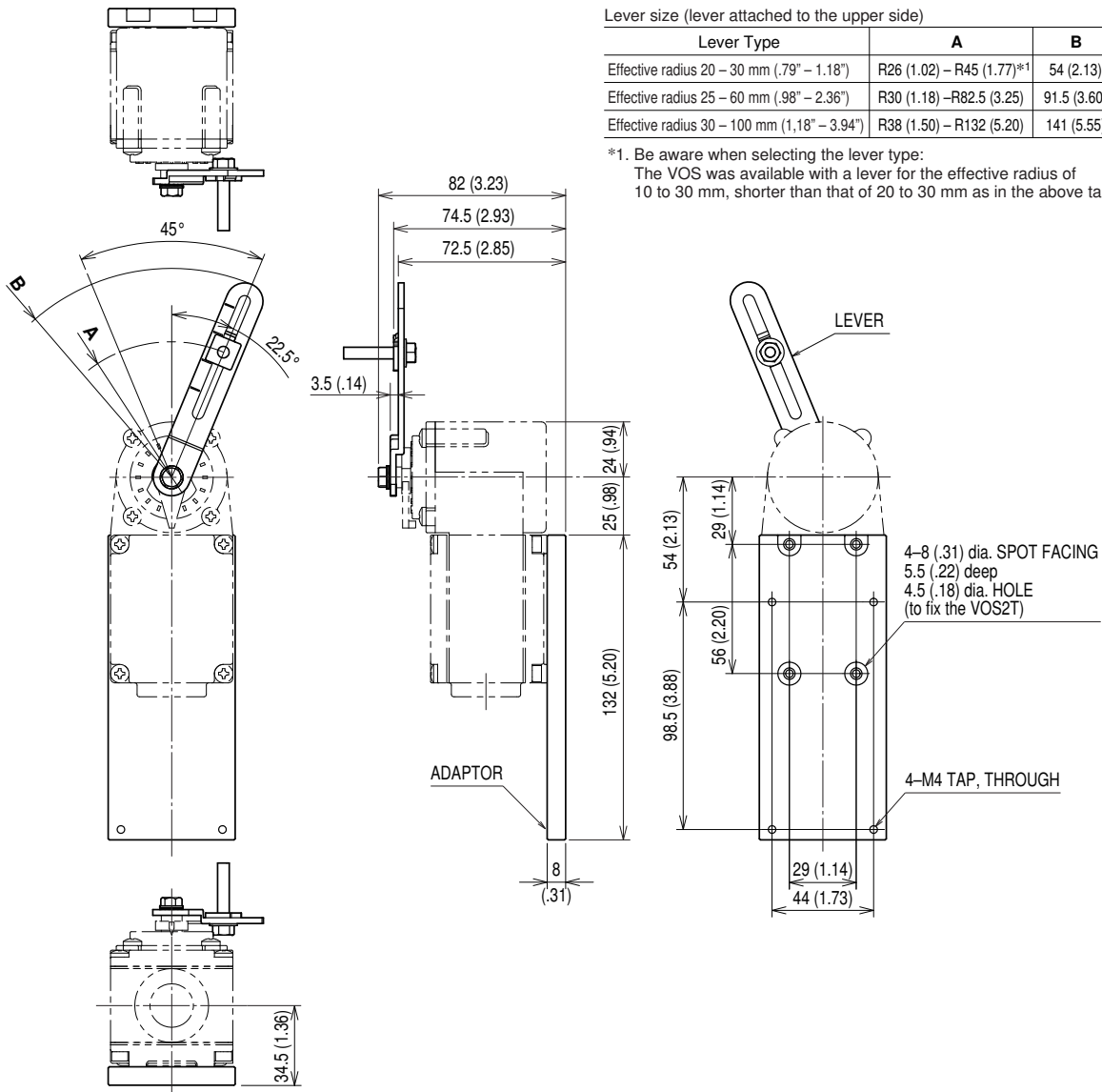
**Adaptor's surface treatment:** Anodizing

#### INSTALLATION

**Weight:** 175 g (0.39 lb)

## DIMENSIONS unit: mm (inch)

### • Lever Attached to the Upper Side

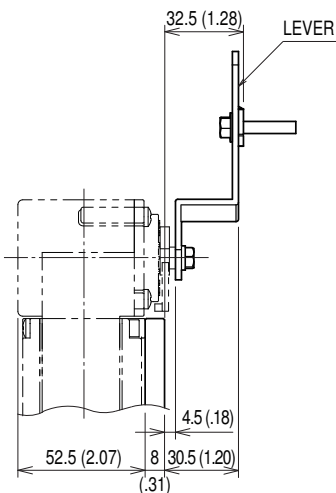


Lever size (lever attached to the upper side)

| Lever Type                                   | A                         | B           |
|--|---------------------------|-------------|
| Effective radius 20 – 30 mm (.79" – 1.18")   | R26 (1.02) – R45 (1.77)*1 | 54 (2.13)   |
| Effective radius 25 – 60 mm (.98" – 2.36")   | R30 (1.18) – R82.5 (3.25) | 91.5 (3.60) |
| Effective radius 30 – 100 mm (1.18" – 3.94") | R38 (1.50) – R132 (5.20)  | 141 (5.55)  |

\*1. Be aware when selecting the lever type:  
The VOS was available with a lever for the effective radius of 10 to 30 mm, shorter than that of 20 to 30 mm as in the above table.

### • Lever Attached to the Lower Side



Lever size (lever attached to the lower side)

| Lever Type                                   | A                         | B           |
|--|---------------------------|-------------|
| Effective radius 10 – 30 mm (.39" – 1.18")   | R12 (.47) – R45 (1.77)    | 54 (2.13)   |
| Effective radius 25 – 60 mm (.98" – 2.36")   | R30 (1.18) – R82.5 (3.25) | 91.5 (3.60) |
| Effective radius 30 – 100 mm (1.18" – 3.94") | R38 (1.50) – R132 (5.20)  | 141 (5.55)  |



Specifications are subject to change without notice.