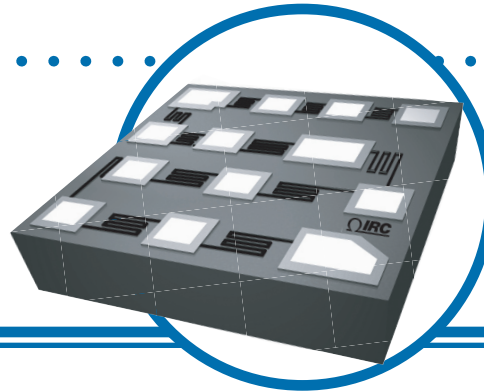


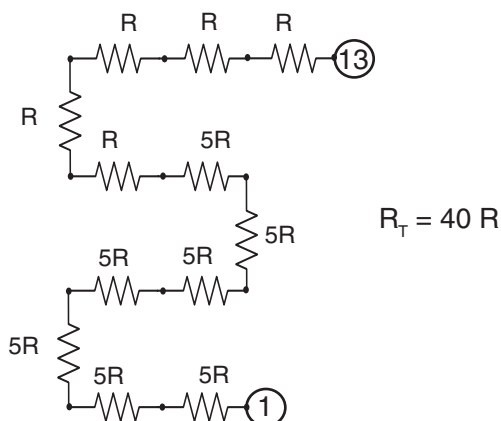
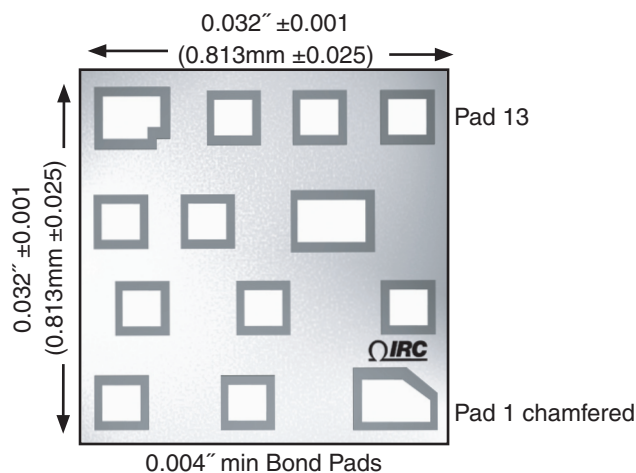
# Wire Bondable Multi-tap Chip Resistors

## WBC Series

- High resistor density
- MIL inspection available
- Multi-tapped chip resistor



## Physical Data



## Electrical Data

<b>Absolute Tolerance</b>	to ±5%	
<b>Absolute TCR</b>	to ±25ppm/°C	
<b>Package Power Rating (@ 70°C)</b>	250mW	
<b>Rated Operating Voltage (not to exceed <math>\sqrt{P \times R}</math>)</b>	100V	
<b>Operating Temperature</b>	-55°C to +150°C	
<b>Noise</b>	<-30dB	
<b>Substrate Material</b>	Oxidized Silicon (10KÅ SiO <sub>2</sub> minimum)	
<b>Substrate Thickness</b>	0.010" ±0.001 (0.254mm ±0.025)	
<b>Bond Pad Metallization</b>	Aluminum	10KÅ minimum
	Gold	15KÅ minimum
<b>Backside</b>	Silicon (gold available)	
<b>Passivation</b>	Silicon Dioxide or Silicon Nitride	

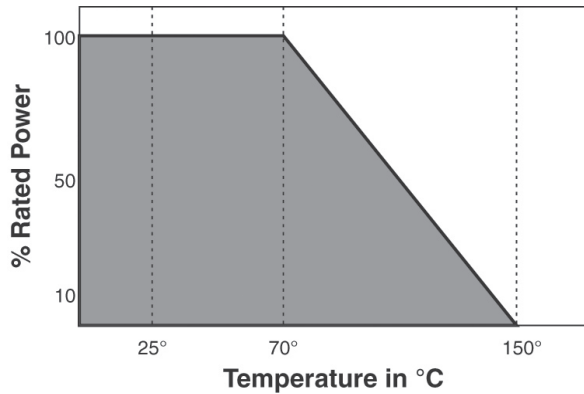
### General Note

IRC reserves the right to make changes in product specification without notice or liability. All information is subject to IRC's own data and is considered accurate at time of going to print.

# Wire Bondable Multi-tap Chip Resistors



## Power Derating Data



## TCR/Inspection Code Table

Absolute TCR	Commercial Code	MIL Inspection Code*
±300ppm/°C	00	04
±100ppm/°C	01	05
±50ppm/°C	02	06
±25ppm/°C	03	07

\*Notes: Product supplied to Class H of MIL-PRF 38534 include 100% visual inspection

## Environmental Data

Test	Method	Max ΔR	Typical ΔR
Thermal Shock	MIL-STD-202 Method 107 Test condition F	±0.1%	±0.02%
High Temperature Exposure	MIL-STD-883 Method 1008 150°C, 1000 hours	±0.1%	±0.05%
Low Temperature Storage	-55°C, 1000 hours	±0.03%	±0.01%
Life	MIL-STD-202 Method 108 70°C, 1000 hours	±0.5%	±0.01%
Life at Elevated Temperature	MIL-STD-202 Method 108 125°C, 1000 hours	±0.5%	±0.05%

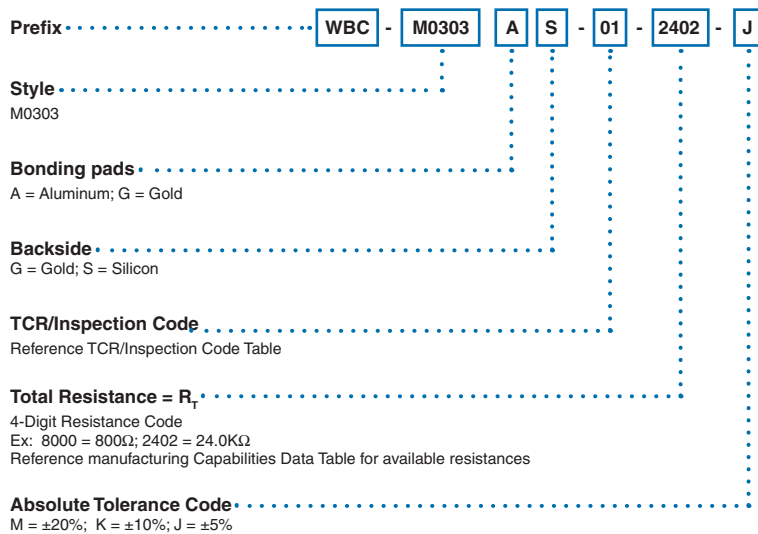
# Wire Bondable Multi-tap Chip Resistors



## Manufacturing Capabilities Data

Resistance R Total	Available Absolute Tolerances	Best Absolute TCR
100Ω	M K	±100ppm/°C
400Ω	M K J	±100ppm/°C
800Ω	M K J	±100ppm/°C
2.4KΩ	M K J	±50ppm/°C
8.0KΩ	M K J	±50ppm/°C
24KΩ	M K J	±25ppm/°C
80KΩ	M K J	±25ppm/°C

## Ordering Data



### Packaging

Standard packaging is 2" x 2" chip tray. For additional information or to discuss your specific requirements, please contact our Applications Team using the contact details below.