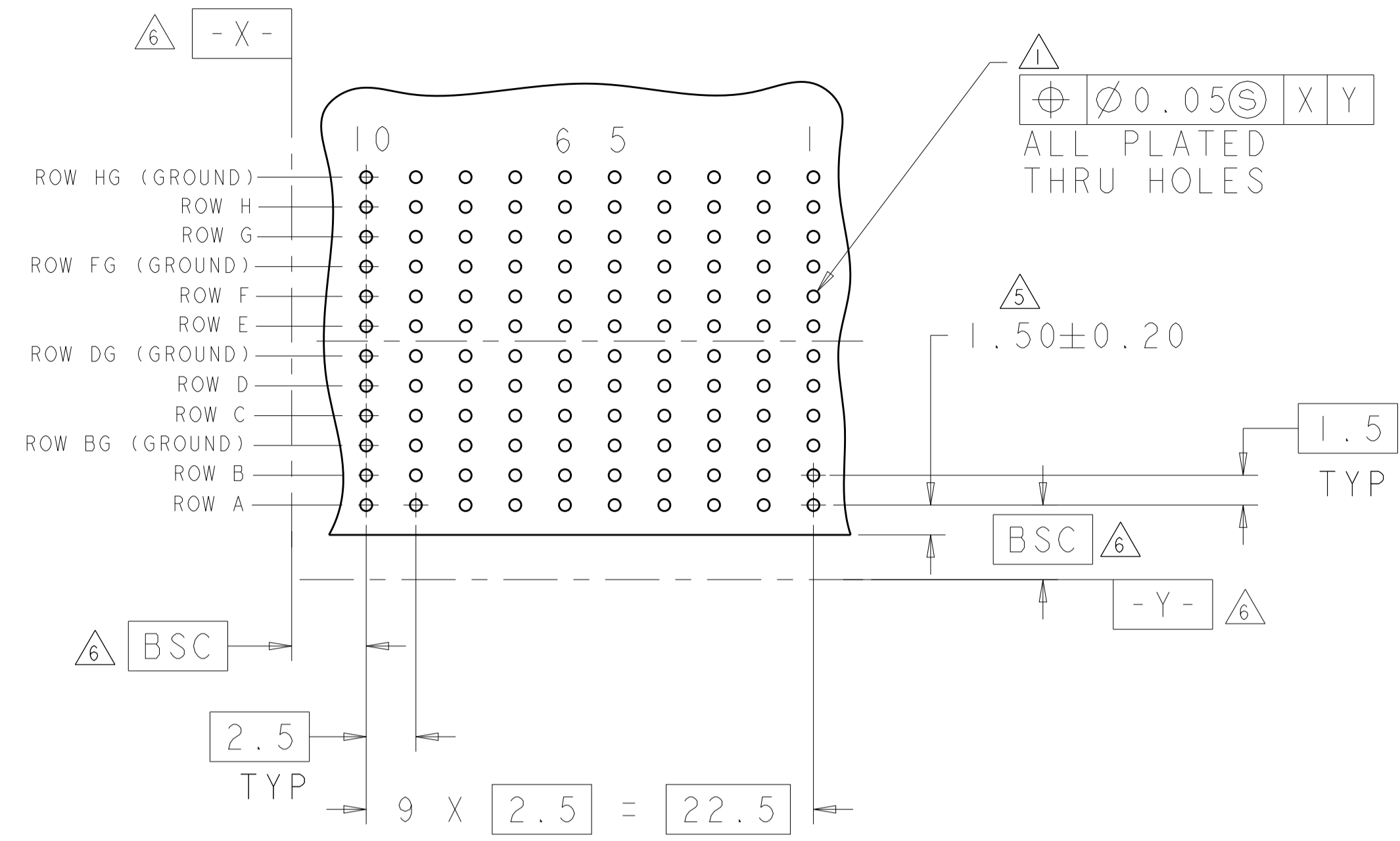
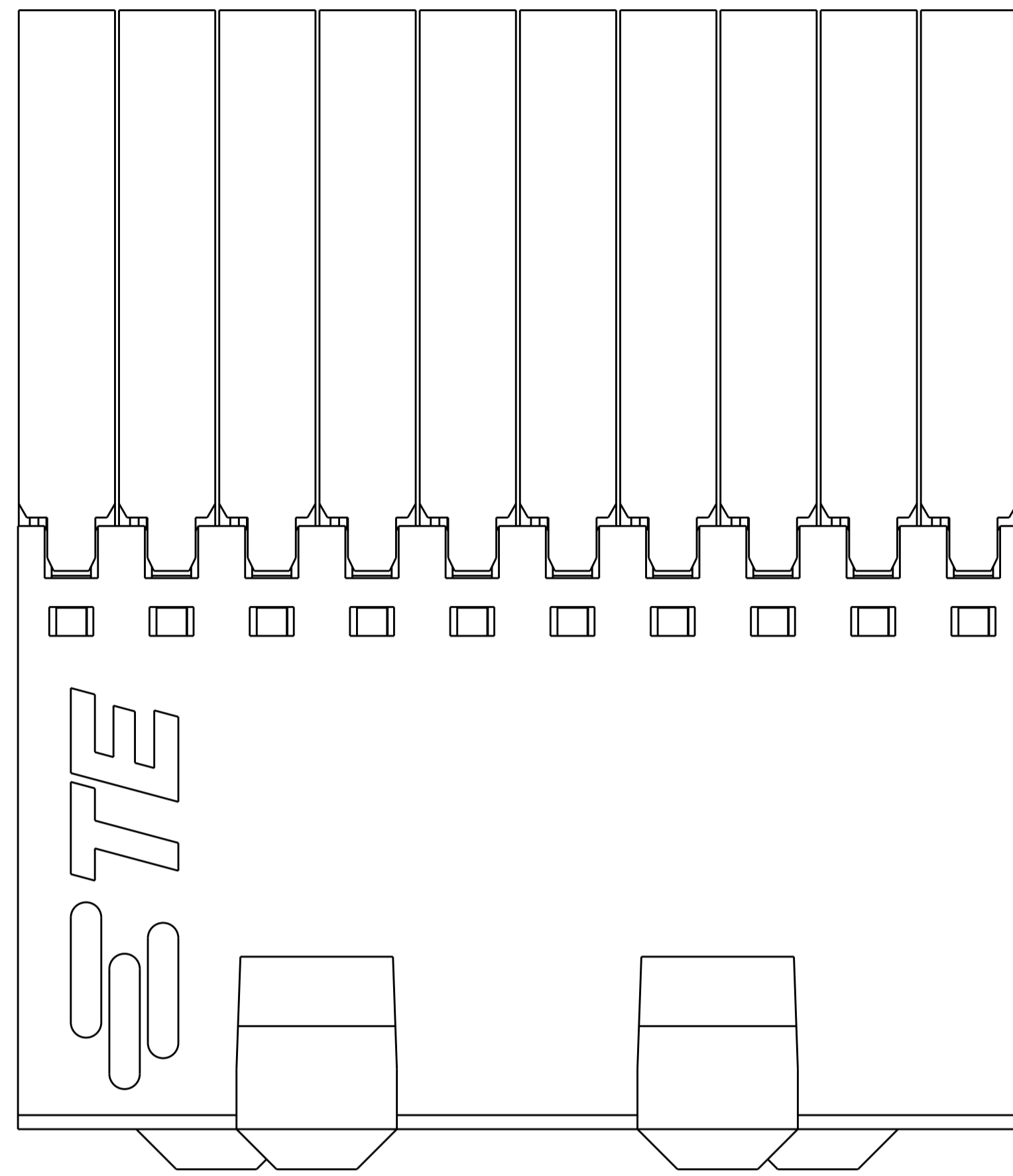
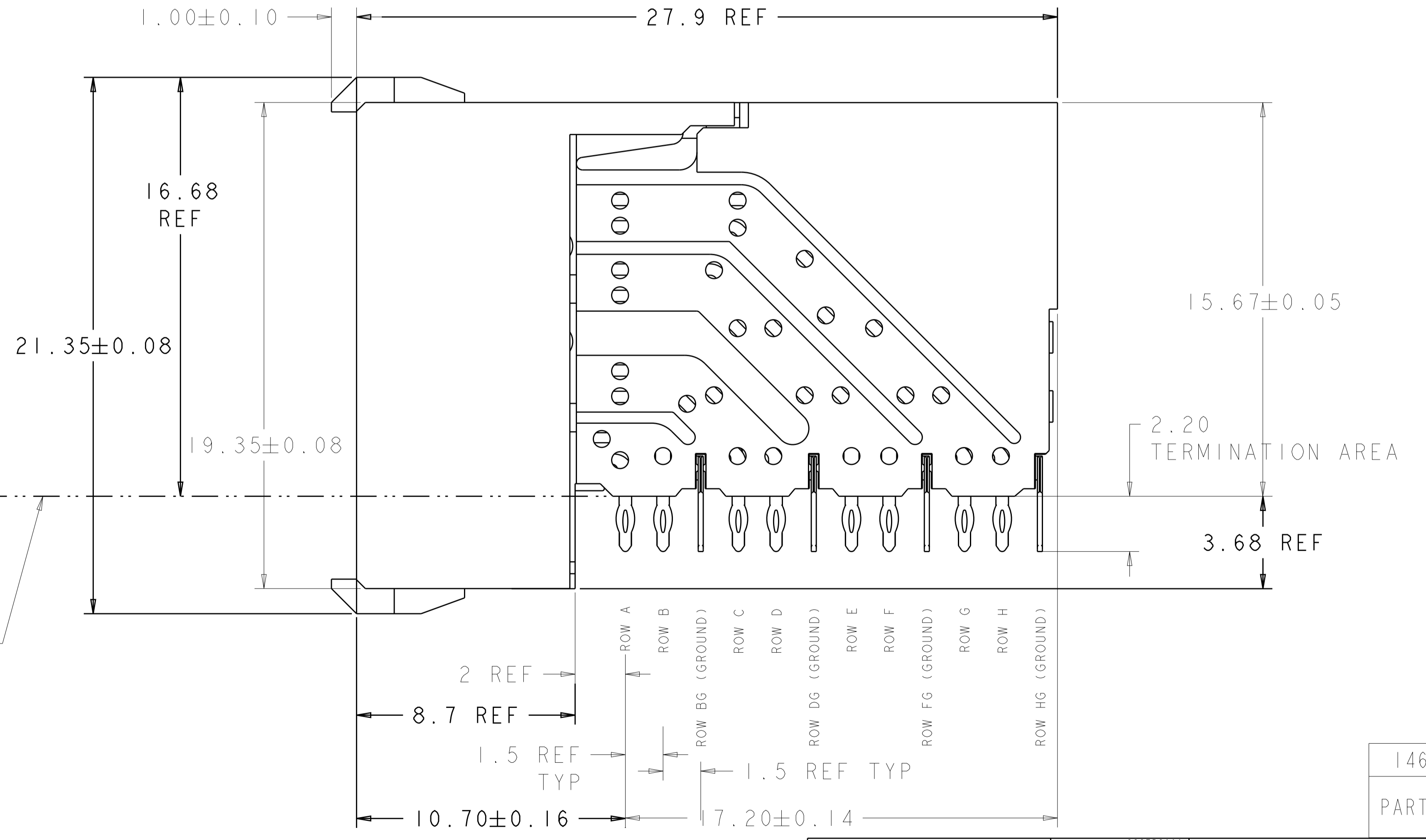
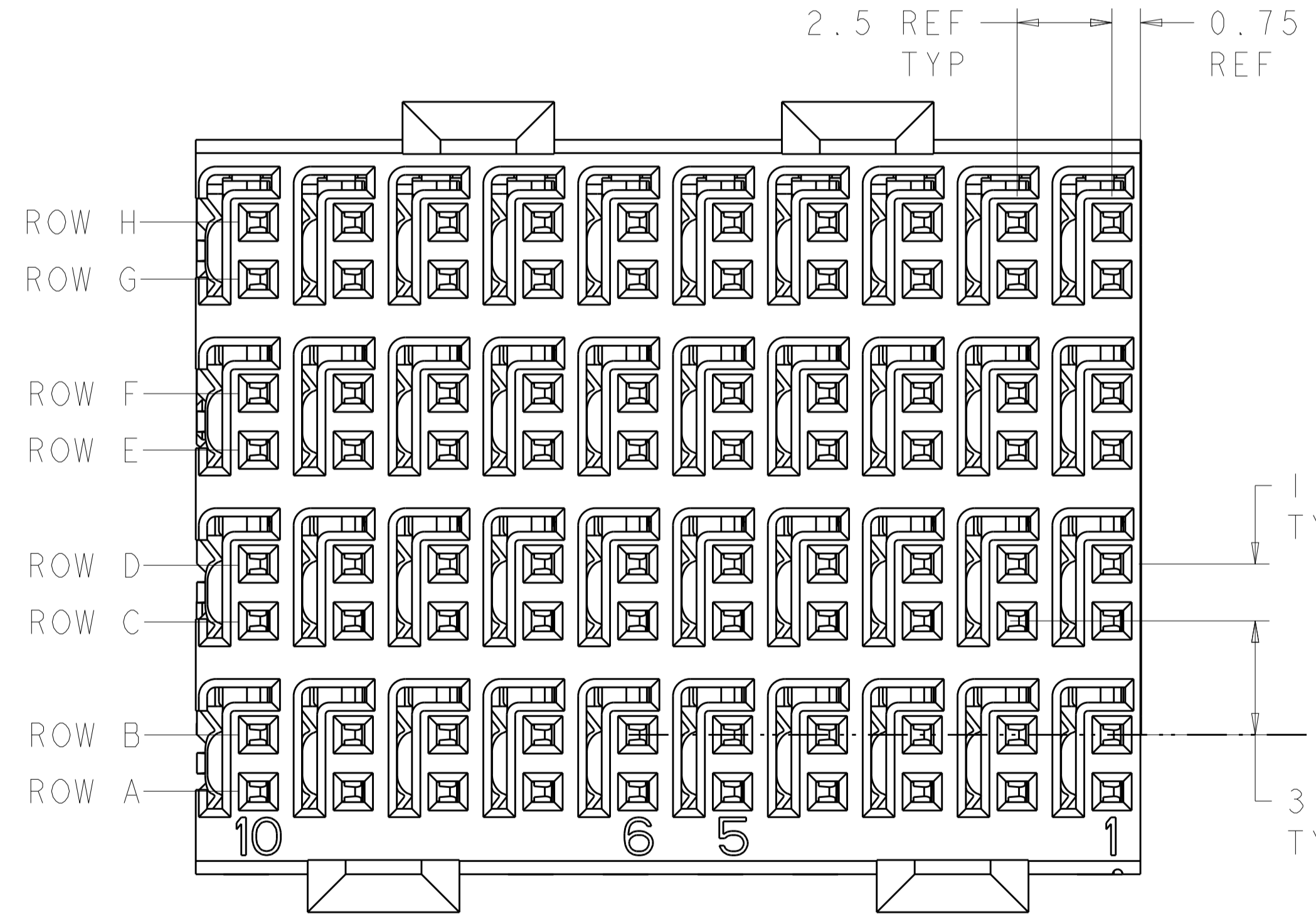


REVISIONS				
P.	LTM	DESCRIPTION	DATE	OWN APVD
G		REVISED PER ECO-14-005095	11APR2014	AP RP
H		REVISED PER ECO-16-008845	21SEP2016	AP RP

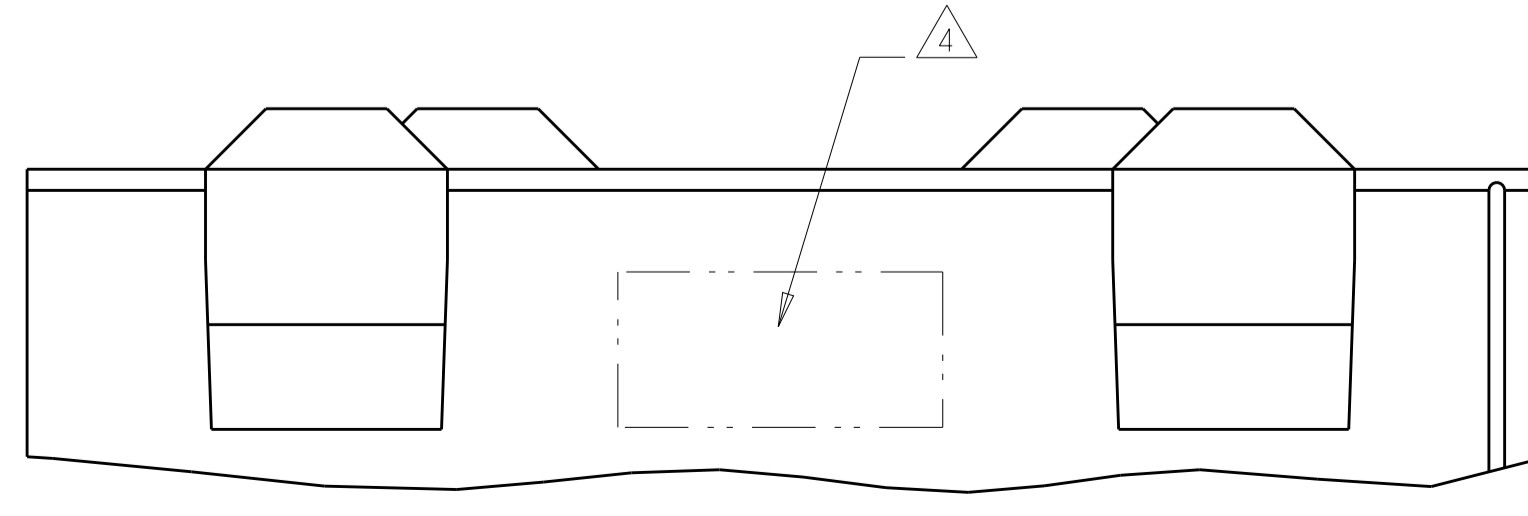


- 1. REFERENCE APPLICATION SPEC 114-13059 FOR RECOMMENDED PLATED THRU HOLE DIAMETER AND PLATING THICKNESSES.
- 2. MATERIAL:
 SHIELD - PHOSPHOR BRONZE
 CONTACT - COPPER-NICKEL-SILICON
 HOUSING, CHICKLET AND CHICKLET COVER - GLASS FILLED POLYESTER, UL 94V-0 RATED.
- 3. FINISH: SIGNAL AND GROUND CONTACTS:
 MATING AREA: MEETS THE PERFORMANCE REQUIREMENTS OF PRODUCT SPECIFICATION 108-2055; BASED ON TELCORDIA GR-1217-CORE, APPLICATIONS IN UNCONTROLLED ENVIRONMENTS
 COMPLIANT PIN AREA: 0.5µm MIN BRIGHT TIN-LEAD OVER BASE PLATING
- 4. CONNECTOR MARKED WITH PART NUMBER AND DATE CODE IN APPROXIMATE AREA SHOWN
- 5. DIMENSION APPLIES TO CENTERLINE OF THRU HOLE.
- 6. DATUMS AND BASIC DIMENSIONS ESTABLISHED BY CUSTOMER.
- 7. CONTACT AREA LUBRICATED WITH BELLCORE APPROVED LUBRICANT. TECHNICAL REFERENCE: GR-1217-CORE, ISSUE 1, NOVEMBER 1995.

RECOMMENDED PC BOARD LAYOUT, DAUGHTER BOARD, COMPONENT SIDE SHOWN
 SCALE 4:1



TOP SURFACE OF DAUGHTER CARD



1469001-1
 PART NUMBER

THIS DRAWING IS A CONTROLLED DOCUMENT.		OWN S. KLINE/LAM 28SEP2000	SHEET 1 OF 1	
DIMENSIONS: mm		CHK S. KLINE 28SEP2000	RESTRICTED TO	
TOLERANCES UNLESS OTHERWISE SPECIFIED:		APVD S. KLINE 28SEP2000	NAME	
0 PLC	±	PRODUCT SPEC	RECEPTACLE ASSEMBLY, 4 PAIR, HMZd	
1 PLC	±	APPLICATION SPEC	-	
2 PLC	±	SIZE	A100779C=1469001	
3 PLC	±	WEIGHT	-	
4 PLC	±	CUSTOMER DRAWING	SCALE 8:1	
ANGLES	±		SHEET 1 OF 1	
FINISH	±		REV H	