

Polarization Beam Combiners

PBC Series

**Key Features**

- Very low insertion loss
- Broadband (± 30 nm)
- Low wavelength dependent loss
- Low temperature dependent loss
- High power handling

Applications

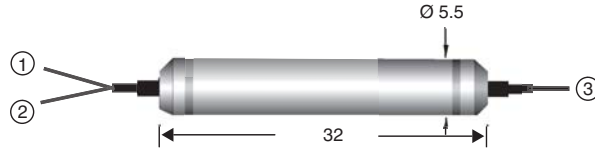
- Raman amplifiers
- High power EDFA
- Optical transmission systems
- Test and measurement

The polarization beam combiner is a compact, high-performance micro-optic based polarization maintaining component. It normally functions as a combiner that combines two orthogonal polarized optical signals into one output fiber. The polarization beam combiner has a high extinction ratio with low excess loss over a wide operating temperature and wavelength range. The polarization beam combiner can also be used as beam splitter.

2

Dimensions Diagram

(Specifications in mm unless otherwise noted.)



Specifications

Parameter		Premium	A Grade
Center wavelength λ_c		1420 nm, 1450 nm, 1480 nm and 1550 nm	
Wavelength range		$\lambda_c \pm 30$ nm	
Insertion loss	Maximum	0.5 dB	
Temperature dependent loss	Maximum	0.1 dB	
Directivity	Minimum	55 dB	
Polarization extinction ratio	Minimum	20 dB	18 dB
Optical return loss	Minimum	50 dB	
Operating temperature		0 to 70 °C	
Storage temperature		-40 to 85 °C	
Input optical power	Maximum	1000 mW	
Tensile load	Maximum	5 N	
Dimensions (D x L)		5.5 x 32 mm	
Pigtail color code		Port 1: black, Port 2: clear, Port 3: clear	

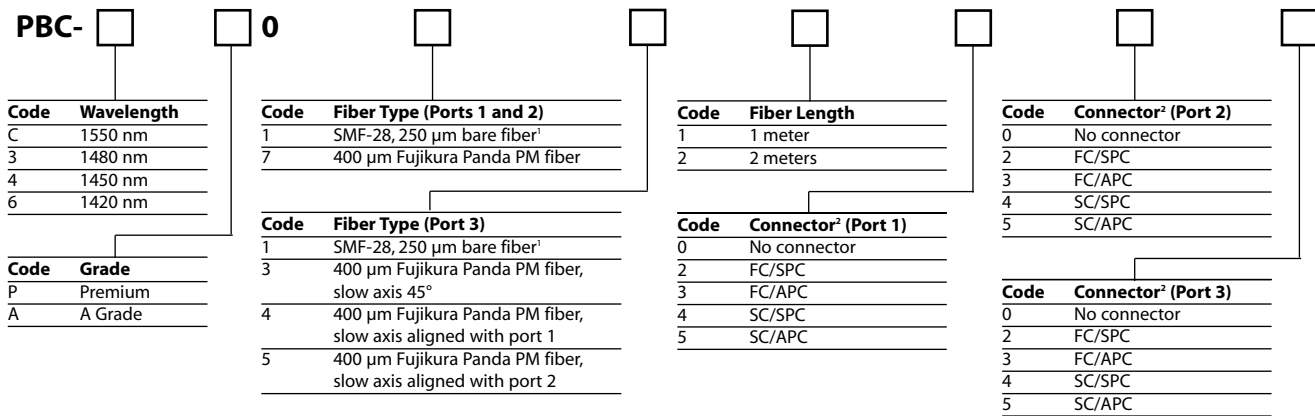
Note: Parameters are specified for the signal wavelength range and operating temperature range without connector unless otherwise stated. The direction of linear polarization is aligned with slow axis of the PM fiber in ports 1 and 2.

3

Ordering Information

For more information on this or other products and their availability, please contact your local JDSU account manager or JDSU directly at 1-800-498-JDSU (5378) in North America and +800-5378-JDSU worldwide or via e-mail at customer.service@jdsu.com.

Sample: PBC-CP0711000



1. Connectors not available on 250 µm fiber.
2. Insertion loss, extinction ratio, and return loss depend on connector type.

SMF-28 is a registered trademark of Corning Incorporated.

All statements, technical information and recommendations related to the products herein are based upon information believed to be reliable or accurate. However, the accuracy or completeness thereof is not guaranteed, and no responsibility is assumed for any inaccuracies. The user assumes all risks and liability whatsoever in connection with the use of a product or its application. JDSU reserves the right to change at any time without notice the design, specifications, function, fit or form of its products described herein, including withdrawal at any time of a product offered for sale herein. JDSU makes no representations that the products herein are free from any intellectual property claims of others. Please contact JDSU for more information. JDSU and the JDSU logo are trademarks of JDS Uniphase Corporation. Other trademarks are the property of their respective holders. ©2005 JDS Uniphase Corporation. All rights reserved. 10113911 Rev. 003 10/05 PBC.DS.CC.AE