

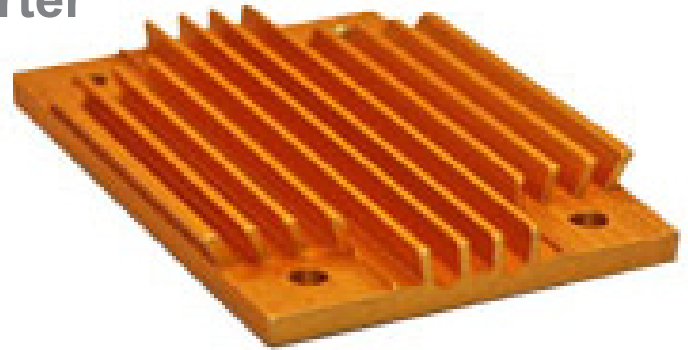


maxiFLOW™ Heat Sink for Quarter Brick DC-DC Converter

ATS PART # ATS-1098-C1-R0

Features & Benefits

- » High performance maxiFLOW™ design features less pressure drop and more surface area that maximizes the effective convection (air) cooling
- » Hole pattern fits standard quarter power brick modules
- » Pre-assembled with Chomerics T766 phase change material
- » Heat sink assembly packaged with 3 sets of screws (M3 Philips Pan Head) at 5, 6 and 8 mm lengths



**Image is for illustration purposes only.*

Assembly Part Number

4 Screws per Set

Length (mm)

| | |
|----------------|---|
| ATS-1098-C2-R0 | 5 |
| ATS-1098-C3-R0 | 6 |
| ATS-1098-C4-R0 | 8 |

Thermal Performance

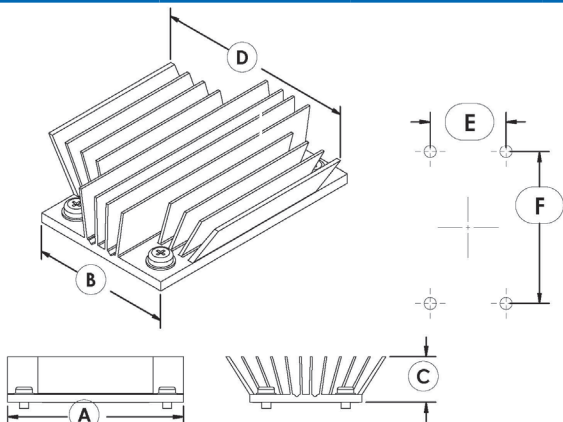
| AIR VELOCITY | | THERMAL RESISTANCE | |
|--------------|-----|----------------------|--------------------|
| FT/MIN | M/S | °C/W (UNDUCTED FLOW) | °C/W (DUCTED FLOW) |
| 200 | 1.0 | 12.13 | 4.03 |
| 300 | 1.5 | 8.02 | |
| 400 | 2.0 | 6.13 | |
| 500 | 2.5 | 5.14 | |
| 600 | 3.0 | 4.52 | |
| 700 | 3.5 | 4.11 | |
| 800 | 4.0 | 3.81 | |

Product Details

| DIMENSION A | DIMENSION B | DIMENSION C | DIMENSION D | DIMENSION E | DIMENSION F | INTERFACE MATERIAL | FINISH |
|-------------|-------------|-------------|-------------|-------------|-------------|--------------------|---------------|
| 58.00 mm | 37.00 mm | 6.10 mm | 41.50 mm | 26.16 mm | 47.20 mm | CHOMERICS T766 | GOLD ANODIZED |

NOTES:

- 1) Thermal performance data are provided for reference only. Actual performance may vary by application.
- 2) ATS reserves the right to update or change its products without notice to improve the design or performance.
- 3) Standard lead time is 4-6 weeks ARO.
- 4) Contact ATS to learn about custom options available.
- 5) Dimension D = heat sink height from bottom of the base to the top of the fin field.
- 6) Dimension E = Hole Width
- 7) Dimension F = Hole Length



ATS ADVANCED THERMAL SOLUTIONS, INC.
Innovations in Thermal Management®

For further technical information, please contact Advanced Thermal Solutions, Inc.

89-27 ACCESS ROAD, NORWOOD, MA 02062 USA | T: 781.769.2800 F: 781.769.9979 | WWW.QATS.COM

REV2_0613