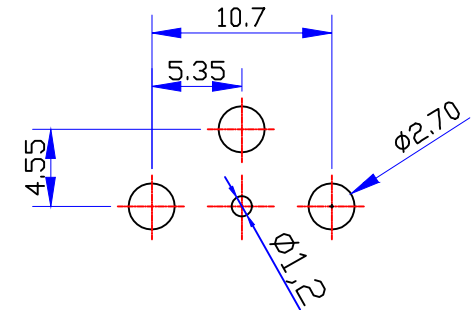
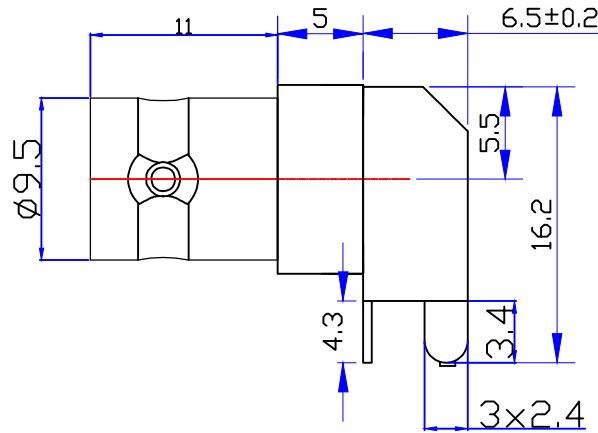
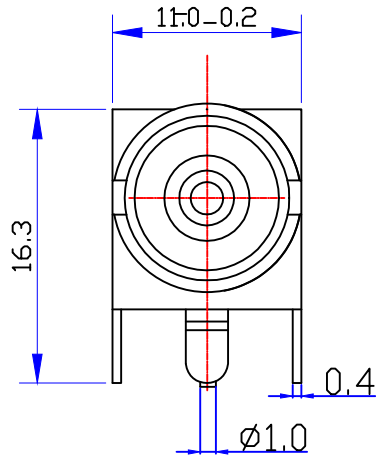




Product NO.		DOSIN-801-0072		
REV	DESCRIPTION	DWN	DATE	APPROVEN
A	First issue	Mr. chen	2021/12/09	John kine
B				



PCB LAYOUT  
(BOTTOM VIEW)

**SPECIFICATIONS:**

Impedance: 50 Ohms  
 Frequency Range: DC~3G  
 VSWR: 1.3MAX  
 Working Voltage: 15 watts continuous  
 Insulation Resistance: 5000 Ohms min  
 Temperature Range: -55°C TO +155°C  
 Drawings products are in line with ROHS standards

1	BODY	BRASS	NICKEL	1	NOTE:	Tolerance	X.	±0.15	<b>Dosin Industrial (HK) Co., Ltd</b> 东莞市德索五金电子制品有限公司 <b>Dosin Hardware Electronics Co., Ltd</b>	E-mail: dosin2005@163.com		
2	CONDUCTOR	BRASS	GOLD	1			X.X	±0.10		dosin2005@dosing-china.com		
3	INSULATION	POM	None	1			X.XX	±0.05		Web: http://www.dosinconn.com		
4	STAND	TIN PLATE	NICKEL	1			Angular	±5°		TEL: (0086) 769-81153906		
5										FAX: (0086) 769-81875836		
6					DRAWN	View		Name: BNC JACK CONNECTOR DNN				
7					chen			UNIT	MM	SIZE	Product NO. DOSIN-801-0072	REV
8					CHECKED	SCALE	1:1	DateTime	2021/12/09	CAD FILE	H/company drawings/BD	SHEET: 1 OF 1
9					APPROVALS							
10	Component Number	Material	Finish	Q'TY								