

OPERATING CHARACTERISTICS <sup>1</sup> <sup>5</sup>

OPERATE MAX	25 GAUSS
RELEASE MIN	5 GAUSS
DIFF MIN	2 GAUSS
(TEMP RANGE -20°C TO 85°C)	

ABSOLUTE MAXIMUM RATINGS

SUPPLY VOLTAGE (V <sub>S</sub> ) <sup>7</sup>	4.5 VDC TO 30 VDC
VOLTAGE EXTERNALLY APPLIED TO OUTPUT	+24 VOLTS DC MAX WITH SWITCH IN "OFF" CONDITION ONLY -0.5 VOLTS MAX WITH SWITCH IN "OFF" OR "ON" CONDITION
OUTPUT CURRENT	20 mA
TEMPERATURE OPERATE AND STORAGE	-40°C TO 85°C
MAGNETIC FLUX	NO LIMIT, THE CIRCUIT CANNOT BE DAMAGED BY MAGNETIC OVERDRIVE

ELECTRICAL CHARACTERISTICS

	MIN	TYP	MAX	REMARKS
SUPPLY CURRENT <sup>4</sup>		6.0 mA	13.5 mA	V <sub>s</sub> = 6-24 VOLTS <sup>7</sup>
OUTPUT VOLTAGE <sup>5</sup> (OPERATED)		0.25 V	0.4 V	SINKING 20 mA MAX
OUTPUT LEAKAGE <sup>5</sup> CURRENT (RELEASED)			10 μA	LEAKAGE INTO SWITCH OUTPUT
OUTPUT SWITCHING TIME				
RISE TIME <sup>5</sup>		0.2 μ SEC	1.5 μ SEC	10% TO 90%
FALL TIME		0.1 μ SEC	0.5 μ SEC	90% TO 10%

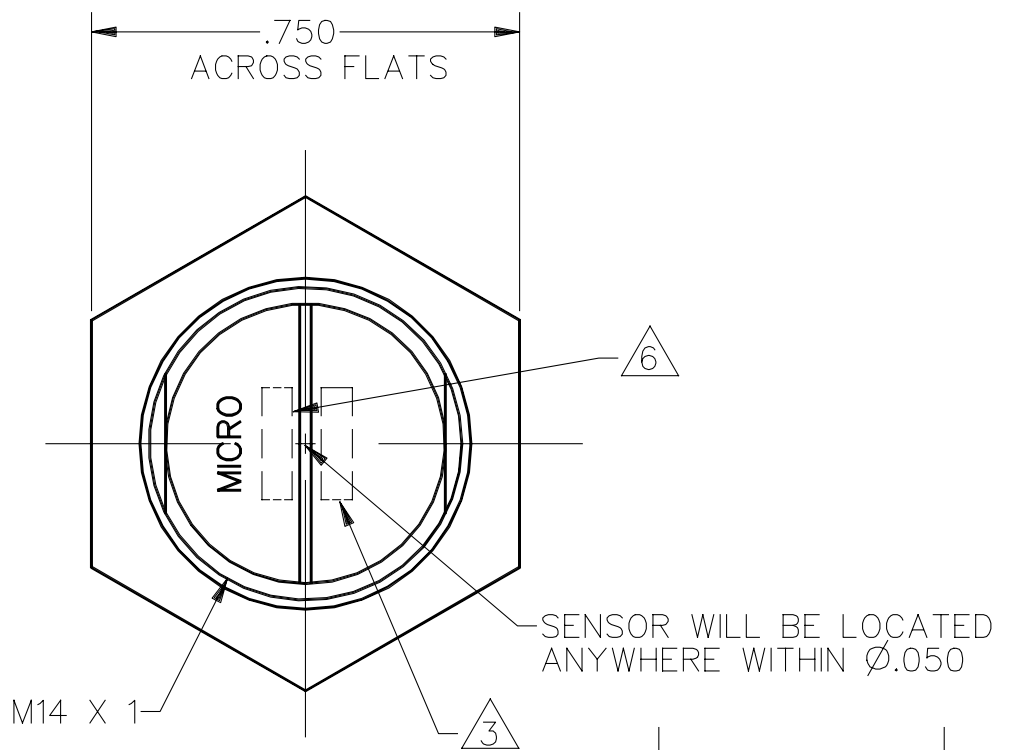
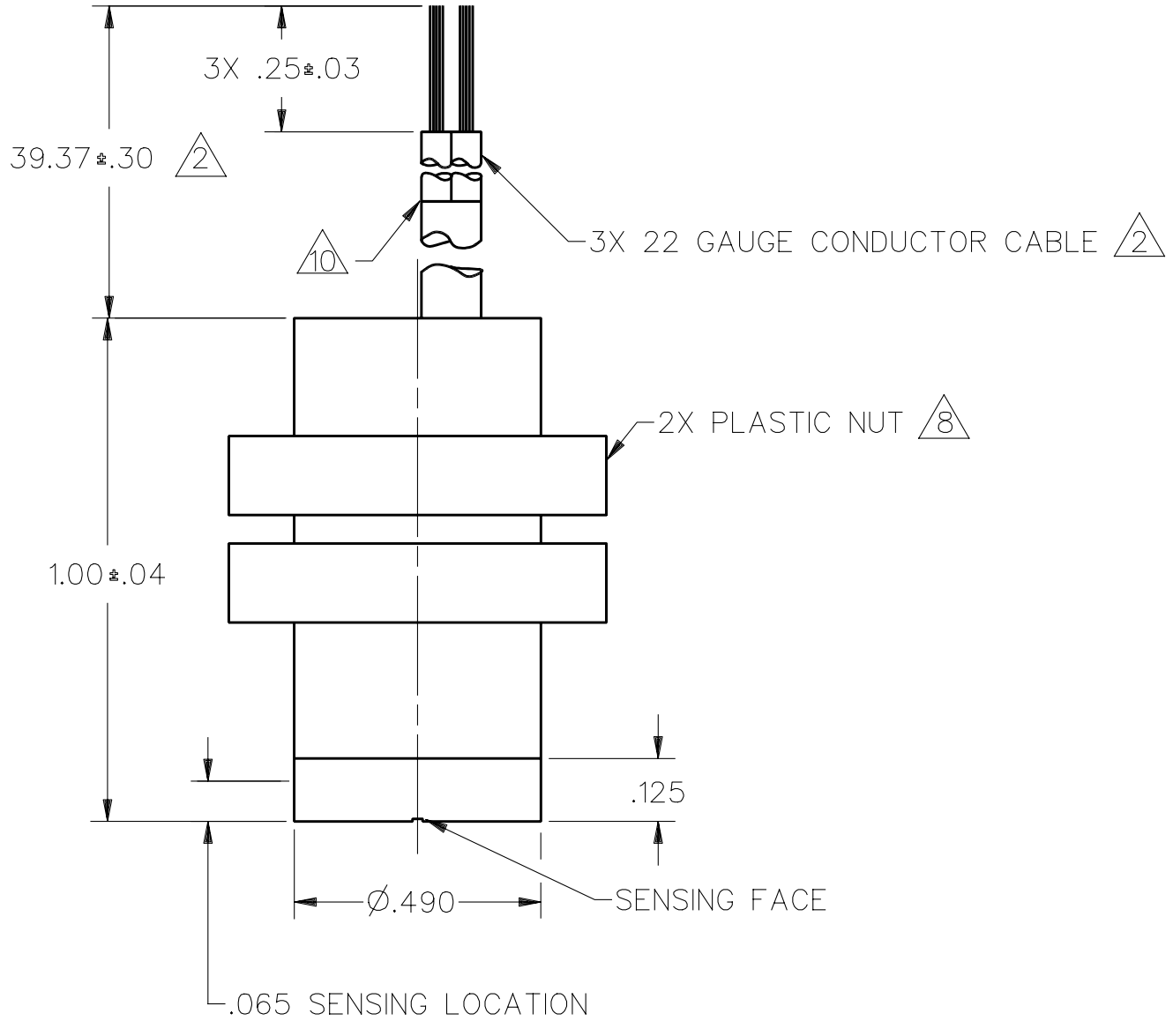


FIG. 1

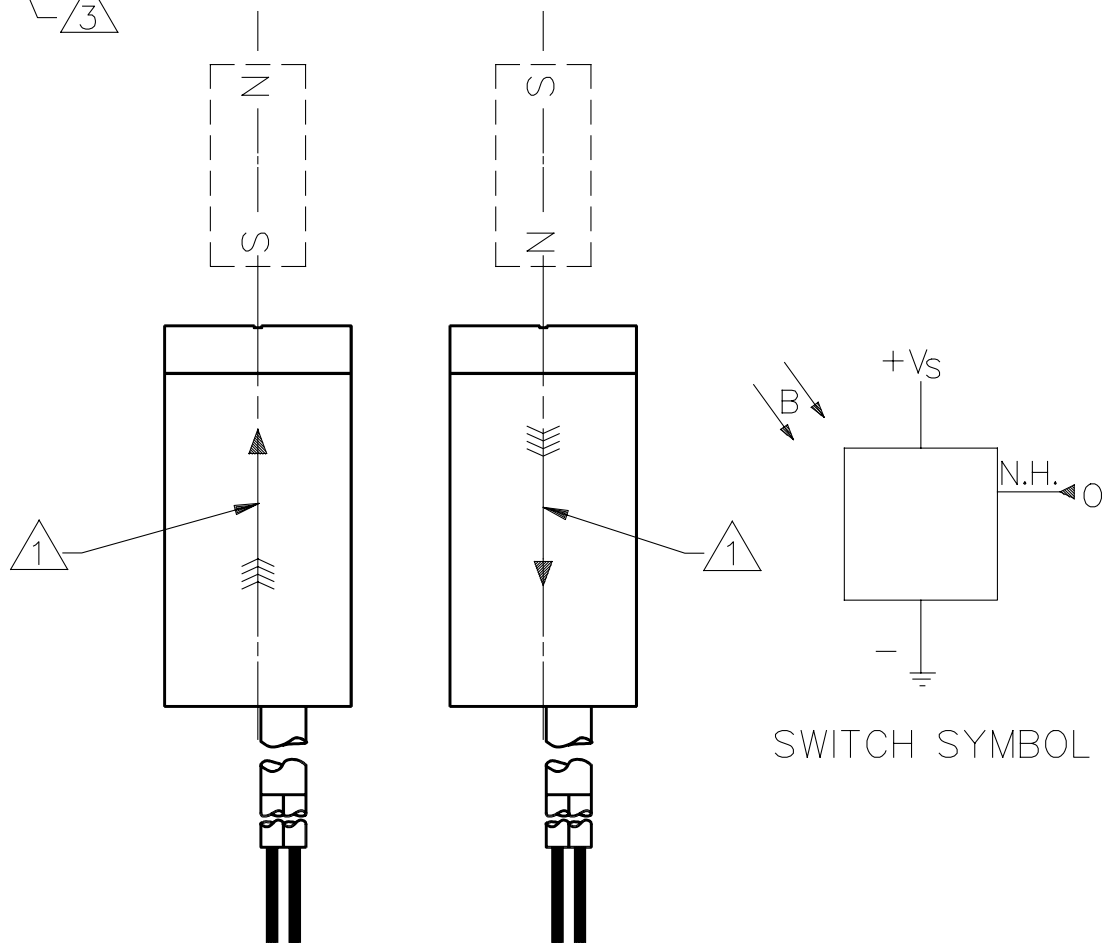
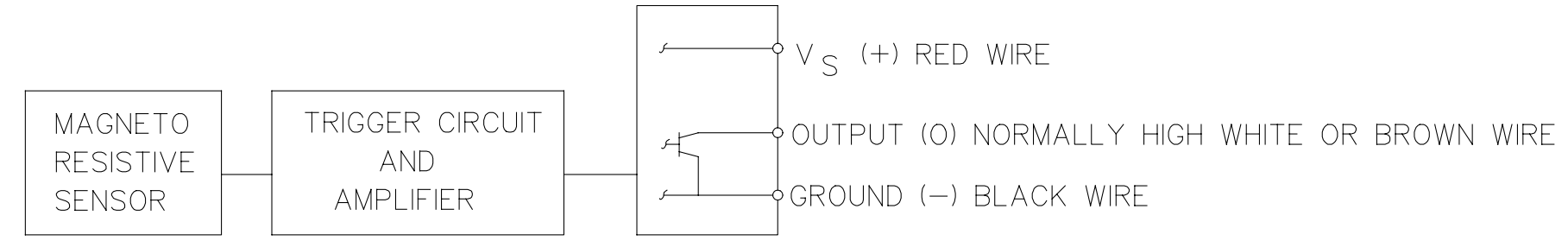


FIG. 2  
OPERATE



BLOCK DIAGRAM SHOWING CURRENT SINKING OUTPUTS

NOTES

- <sup>1</sup> FLUX ENTERING THE SOUTH POLE OR THE NORTH POLE OF THE MAGNET WILL OPERATE THE SENSOR WHEN MAGNET IS POSITIONED AS SHOWN IN FIGURE 2. THIS ASSUMES THE CONVENTION THAT THE DIRECTION OF THE EXTERNAL FLUX OF A MAGNET IS FROM THE NORTH TO THE SOUTH POLE OF THE MAGNET
- <sup>2</sup> 22 GAUGE PVC INSULATED CONDUCTORS WITH MOLDED PVC JACKET
- <sup>3</sup> DATE CODE LOCATED IN THIS AREA
- <sup>4</sup> AT 24 ± 2°C
- <sup>5</sup> AT SUPPLY VOLTAGE OF 4.5 TO 30 VOLTS AND FULL TEMPERATURE RANGE
- <sup>6</sup> CATALOG LISTING LOCATED IN THIS AREA
- <sup>7</sup> V<sub>s</sub> IS THE UNREGULATED SUPPLY VOLTAGE
- <sup>8</sup> TORQUE ON PLASTIC NUTS MUST NOT EXCEED 12 INCH POUNDS
- <sup>9</sup> - THE MAGNETIC CHARACTERISTICS OF THE SWITCH MAY BE AFFECTED BY STRAY MAGNETIC FIELDS
- <sup>10</sup> JACKET IS CUT BACK 1.37 FROM FREE END OF LEADS

DRAWING NUMBER: SR4P3-B10  
 ISSUE: 1  
 PAGE 1 OF 1  
 RELEASE NO.: PR-23085  
 REPLACES: X101472-SR  
 CHECK: J A S 14 JUL 98  
 CHECK: J A F 15 JUL 98  
 CHECK: J A S 14 JUL 98  
 DDM/CAD  
 DRAWN

MASTER REDUCED  
ANSI Y14.5M-1982 APPLIES

<b>MICRO SWITCH</b> a Honeywell Division FED. MFG. CODE 91929	MAGNETICALLY OPERATED CYLINDRICAL HALL SWITCH	CATALOG LISTING <b>SR4P3-B10</b>	THIRD ANGLE PROJECTION SCALE 3:1 DO NOT SCALE PRINT UNLESS OTHERWISE SPECIFIED TOLERANCES ARE ONE PLACE (.0) ±.030 TWO PLACES (.00) ±.015 THREE PLACES (.000) ±.005 ANGLES ±
		WEIGHT	