

Features

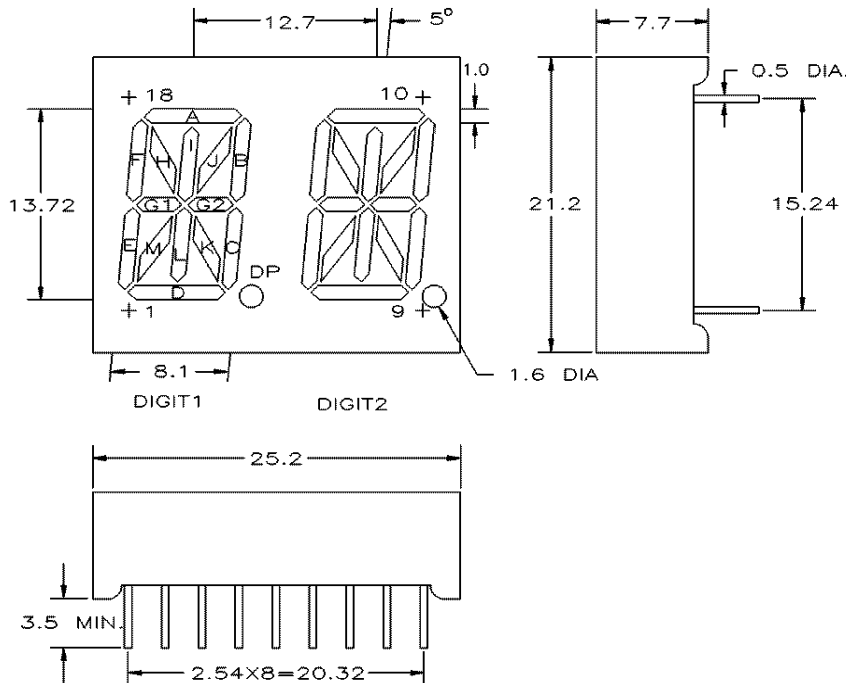
Additional Colors/Materials Available
 Excellent Character Appearance
 High Light Output
 IC Compatible
 Low Current Requirements
 Other Face/Epoxy Colors Available
 Right Hand Decimal

Notes

All Dimensions are in millimeters.
 Tolerance is $\pm 0.25\text{mm}$ unless otherwise stated.
 The slope angle of any pin may be $\pm 5.0^\circ$ MAX.
 Operating Temperature: $-25 \sim +85$
 Storage Temperature: $-25 \sim +100$
 Specifications are subject to change without notice.

Part Number	PWL λ_p	Material	Emitted Color	Face Colors		Maximum Ratings			Optical and Electrical Characteristics								Pin Out
				Epoxy Color	Surface Color	IF	VR	PD	Forward Voltage VF				Reverse Current IR		Luminous Intensity IV		
									typ. seg	IF@	typ. dec	IF@	max.	VR@	typ. seg	IF@	
MTAN2254-21A	567	GaP	YG	White	Grey	30	5.00	85.00	2.10	20mA	-	-	100	5V	2.90	10mA	1
MTAN2254-21C	567	GaP	YG	White	Grey	30	5.00	85.00	2.10	20mA	-	-	100	5V	2.90	10mA	2
MTAN4254-21A	635	GaAsP	HR	White	Grey	30	5.00	85.00	2.10	20mA	-	-	100	5V	3.30	10mA	1
MTAN4254-21C	635	GaAsP	HR	White	Grey	30	5.00	85.00	2.10	20mA	-	-	100	5V	3.30	10mA	2
MTAN4254R-21A	635	GaAsP	HR	Red	Red	30	5.00	85.00	2.10	20mA	-	-	100	5V	3.30	10mA	1
MTAN4254R-21C	635	GaAsP	HR	Red	Red	30	5.00	85.00	2.10	20mA	-	-	100	5V	3.30	10mA	2
MTAN7254M-21A	660	GaAlAs	UR	White	Grey	30	4.00	70.00	1.70	20mA	-	-	100	4V	17.30	20mA	1
MTAN7254M-21C	660	GaAlAs	UR	White	Grey	30	4.00	70.00	1.70	20mA	-	-	100	4V	17.30	20mA	2
Units	nm	-	-	-	-	mA	V	mW	V	-	V	-	μA	-	mcd	-	-

Package Dimensions and Pin Functions



PINOUT 1

COMMON ANODE PIN NO.	FUNCTION
1.	CATHODE G1 (ANODE 1)
	CATHODE G2 (ANODE 3)
	CATHODE G3 (ANODE 2)
	CATHODE G4 (ANODE 4)
2.	NO PIN
3.	CATHODE K1 (ANODE 3)
	CATHODE K2 (ANODE 4)
	CATHODE M1 (ANODE 1)
	CATHODE M2 (ANODE 2)
4.	CATHODE C1 (ANODE 3)
	CATHODE C2 (ANODE 4)
	CATHODE E1 (ANODE 1)
	CATHODE E2 (ANODE 2)
5.	COMMON ANODE 3
6.	CATHODE DP1 (ANODE 3)
7.	NO PIN
8.	COMMON ANODE 2
9.	CATHODE DP2 (ANODE 4)
10.	COMMON ANODE 4
11.	NO PIN
12.	CATHODE A1 (ANODE 1)
	CATHODE A2 (ANODE 2)
	CATHODE D1 (ANODE 3)
	CATHODE D2 (ANODE 4)
13.	NO PIN
14.	CATHODE B1 (ANODE 3)
	CATHODE B2 (ANODE 4)
	CATHODE F1 (ANODE 1)
	CATHODE F2 (ANODE 2)
15.	COMMON ANODE 1
16.	NO PIN
17.	CATHODE I1 (ANODE 1)
	CATHODE I2 (ANODE 2)
	CATHODE L1 (ANODE 3)
	CATHODE L2 (ANODE 4)
18.	CATHODE H1 (ANODE 1)
	CATHODE H2 (ANODE 2)
	CATHODE J1 (ANODE 3)
	CATHODE J2 (ANODE 4)

PINOUT 2

COMMON CATHODE PIN NO.	FUNCTION
1.	ANODE G1 (CATHODE 1)
	ANODE G2 (CATHODE 3)
	ANODE G3 (CATHODE 2)
	ANODE G4 (CATHODE 4)
2.	NO PIN
3.	ANODE K1 (CATHODE 3)
	ANODE K2 (CATHODE 4)
	ANODE M1 (CATHODE 1)
	ANODE M2 (CATHODE 2)
4.	ANODE C1 (CATHODE 3)
	ANODE C2 (CATHODE 4)
	ANODE E1 (CATHODE 1)
	ANODE E2 (CATHODE 2)
5.	COMMON CATHODE 3
6.	ANODE DP1 (CATHODE 3)
7.	NO PIN
8.	COMMON CATHODE 2
9.	ANODE DP2 (CATHODE 4)
10.	COMMON CATHODE 4
11.	NO PIN
12.	ANODE A1 (CATHODE 1)
	ANODE A2 (CATHODE 2)
	ANODE D1 (CATHODE 3)
	ANODE D2 (CATHODE 4)
13.	NO PIN
14.	ANODE B1 (CATHODE 3)
	ANODE B2 (CATHODE 4)
	ANODE F1 (CATHODE 1)
	ANODE F2 (CATHODE 2)
15.	COMMON CATHODE 1
16.	NO PIN
17.	ANODE I1 (CATHODE 1)
	ANODE I2 (CATHODE 2)
	ANODE L1 (CATHODE 3)
	ANODE L2 (CATHODE 4)
18.	ANODE H1 (CATHODE 1)
	ANODE H2 (CATHODE 2)
	ANODE J1 (CATHODE 3)
	ANODE J2 (CATHODE 4)