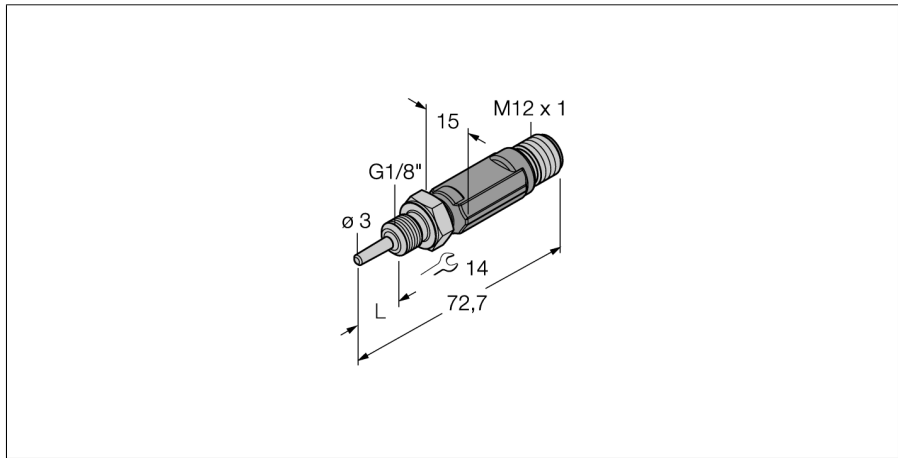
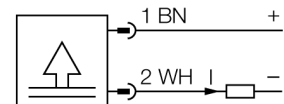


Temperature measurement With Current Output TTM100C-103A-G1/8-LI6-H1140-L013



- Miniature design
- Analog output 4...20 mA
- Factory setting 0...100 °C (other settings on request)
- Process connection G1/8" male thread

Wiring Diagram



| | |
|---|---|
| Type designation | TTM100C-103A-G1/8-LI6-H1140-L013 |
| Ident-No. | 9910549 |
| Temperature range | |
| Measuring range | 0...100 °C |
| Temperature operating range | 32...212 °F |
| Note | Max. temperature of electronics: 80 °C/176 °F |
| Measuring element | Pt-1000 probe, DIN EN 60751, class A |
| Response time | t 0.5 = 1.5 s / t 0.9 = 6.0 s in water at 0.2 m/s |
| Immersion depth (L) | 13 mm |
| Power supply | |
| Operating voltage | 10...24 VDC |
| Current consumption | ≤ 20 mA |
| Short-circuit/reverse polarity protection | yes / yes |
| Protection type and class | IP67 / III |
| Outputs | |
| Output 1 | Analog output |
| Analog output | |
| Operating range | 4...20 mA (2-wire) |
| Load | ≤ 0.7 kΩ |
| Accuracy (Lin. + Hys. + Rep.) | ± 0.2 K |
| Temperature behaviour | |
| Temperature coefficient zero point Tk0 | ± 0.1 % of full scale/10 K |
| Temperature coefficient span T _{KS} | ± 0.1 % of full scale/10 K |
| Ambient conditions | |
| Ambient temperature | -40...+80 °C |
| Storage temperature | -40...+80 °C |
| Housing | |
| Housing material | Stainless-steel/Plastic, V4A (1.4404) |
| Sensor material | Stainless steel, V4A (1.4404) |
| Process connection | G1/8" male thread |
| Electrical connection | Connector, M12 × 1 |
| Pressure resistance | 100 bar |
| Reference conditions acc. to IEC 61298-1 | |
| Temperature | 15...+25 °C |
| Atmospheric pressure | 860...1060 hPa abs. |
| Humidity | 45...75 % rel. |
| Auxiliary power | 24 VDC |

General description

Temperatures are recorded over a mineral insulated transmitter and converted into a wide range of electrical output signals.

The devices of the TTM miniature series are enclosed in a fully potted plastic housing and depending on the variant, they have either an IO-link output, power output and/or switching output.