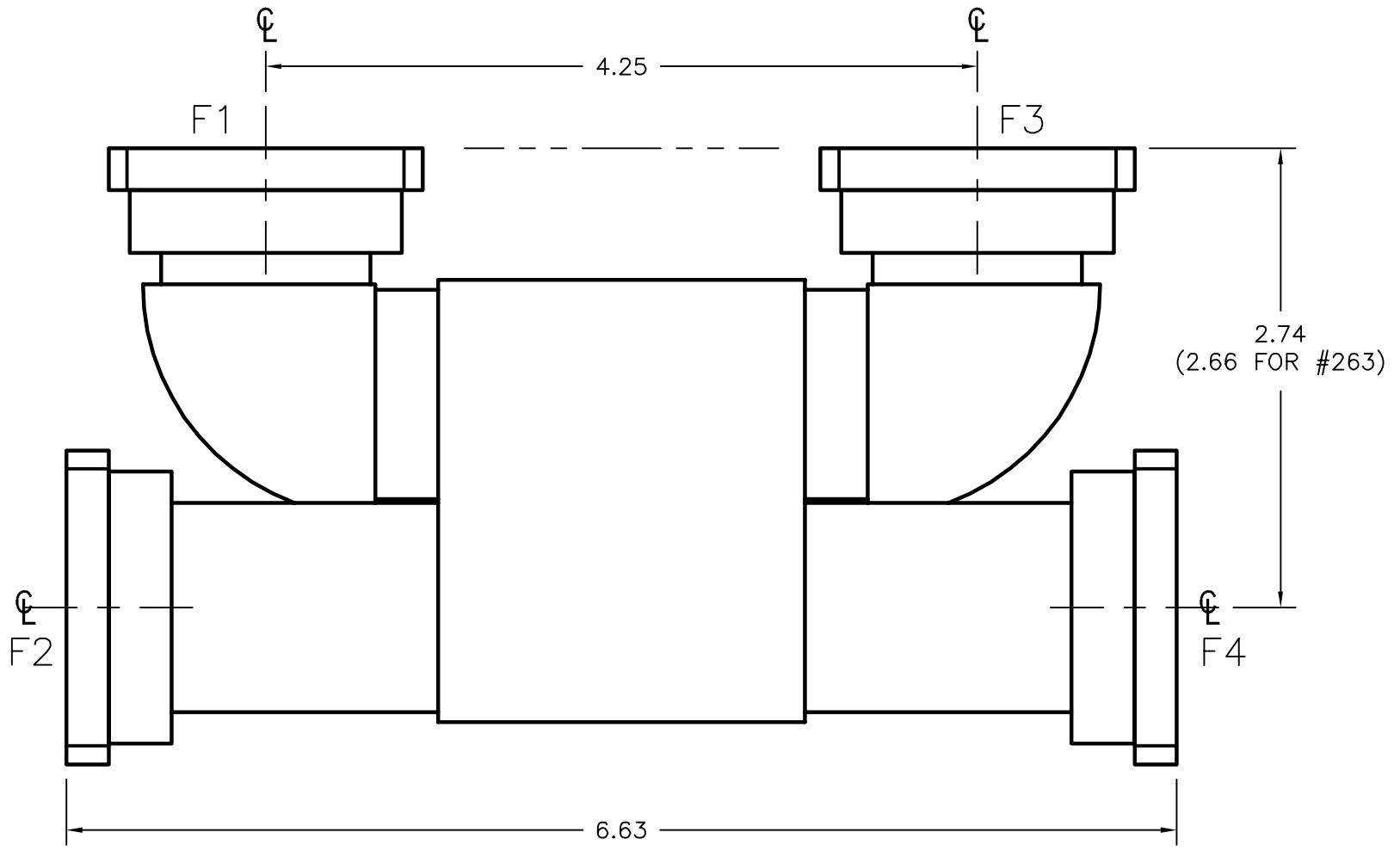


REV <b>A</b>	AUTH <b>JLE</b>	DATE <b>10/16/02</b>	INITIAL RELEASE
REV <b>B</b>	AUTH <b>RL</b>	DATE <b>10/28/06</b>	FREQ. NOTES CORRECTED; ILLUSTRATION, FORMAT UPDATED.



FLANGE TYPE
1 = CPRG
2 = CPRF
3 = CMR STANDARD
4 = CMR CLEAR
5 = CMR TAP
6 = UG COVER
7 = UG CHOKE
8 = COVER-GRV.

FREQUENCY	MODEL
6.90-8.00 GHz	112-261X-Z-F1-F2-F3-F4
7.90-9.00 GHz	112-262X-Z-F1-F2-F3-F4
8.80-10.25 GHz	112-263X-Z-F1-F2-F3-F4
7.50-8.50 GHz	112-264A-Z-F1-F2-F3-F4

NOTE: REPLACE "F1, F2, F3, & F4" NOTATION WITH NUMBER CORRESPONDING TO FLANGE TYPE DESIRED, AS SHOWN ON TABLE ABOVE.

THIRD ANGLE PROJECTION:		APPROVALS	DATE	<b>ADVANCED TECHNICAL MATERIALS, INC.</b> TEL: (631) 289-0363 FAX: (631) 289-0358 www.atmmicrowave.com	<small>THE INFORMATION IN THIS DRAWING IS PROPRIETARY AND SHALL NOT BE USED OR DISCLOSED WITHOUT THE PRIOR WRITTEN CONSENT OF ATM, INC. DO NOT SCALE DWG.</small>		
UNLESS OTHERWISE NOTED, DIMENSIONS ARE IN INCHES, TOLERANCES ARE: FRACTIONS: $\pm 1/64$ ANGLES: $\pm 1/2^\circ$		DRAWN <b>JLE</b>	<b>10/16/02</b>				
BASIC DIMENSION	DECIMALS 2 PLACE	DECIMALS 3 PLACE	APRVD.	<b>OUTLINE, WR112</b> <b>'Z'-STYLE COMBINER-DIVIDER (HYBRID-COUP.)</b>			
UNDER 6"	$\pm .02$	$\pm .005$	MATERIAL <b>PER ORDER</b>				
6" - 12"	$\pm .03$	$\pm .010$	TREATMENT <b>-</b>				
OVER 12"	$\pm .06$	$\pm .015$	FINISH <b>ATM STD. GRAY</b>	SIZE <b>A</b>	CAGE CODE <b>0R8N4</b>	ATM DWG # <b>5229W</b>	REVISION <b>B</b>
				SCALE <b>1 : 1</b>	MODEL # <b>SEE NOTES</b>	SHEET <b>1/1</b>	