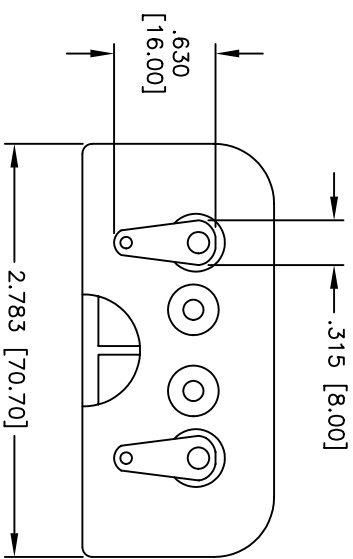
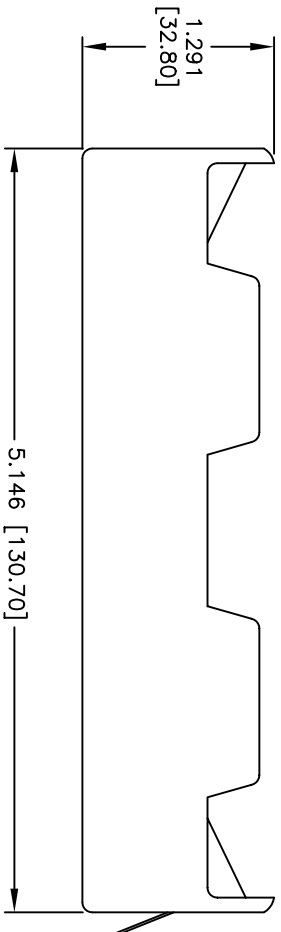
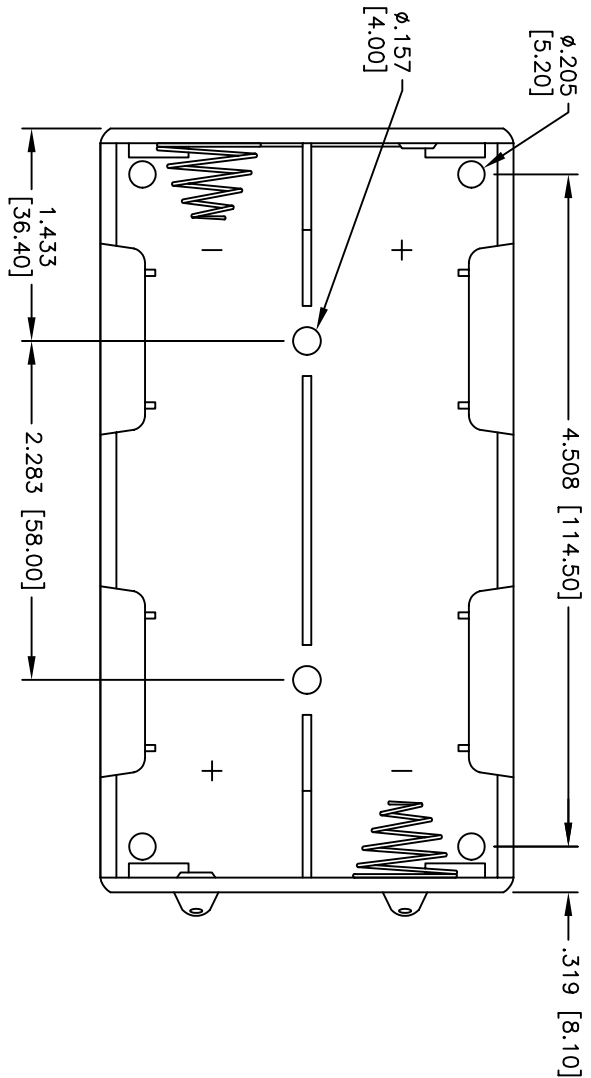


APPROVED: \_\_\_\_\_  
 DATE: \_\_\_\_\_ TITLE: \_\_\_\_\_

| Rev | AWO # | Description | Date    | Appr |
|-----|-------|-------------|---------|------|
| -   |       | RELEASED    | 1/21/05 |      |



**SPECIFICATIONS:**

- Material: Insulator: Impact resistant Polypropylene, rated UL94-HB
- Insulator color: Black
- Spring: Steel, Nickel plated
- Contacts: Steel, Nickel plated
- Electrical: Operating voltage: 1.5 VDC max.
- Temperature Rating: Operating temperature: -10°C to +80°C
- Environmental: Lead free, RoHS compliant



UNLESS OTHERWISE SPECIFIED  
 ALL DIMENSIONS ARE INCHES [MM]  
 TOLERANCES: EXCEPT AS NOTED

| INCHES      | HOLES       |
|-------------|-------------|
| .X ± .10    | ØX ± .10    |
| .XX ± .020  | ØXX ± .015  |
| .XXX ± .015 | ØXXX ± .010 |

APPROVALS

| DATE | DATE    |
|------|---------|
| SS   | 1/21/05 |

**ADAM TECH**  
 909 Rahway Avenue, Union, NJ 07083  
 Phone: 908-687-5000 Fax: 908-687-5710

TITLE: BATTERY HOLDER, SOLDER TERMINALS  
 FOR FOUR "D" CELLS

SIZE: X PART NO.: BH-20-3

SCALE: NTS SHEET 1 OF 1