



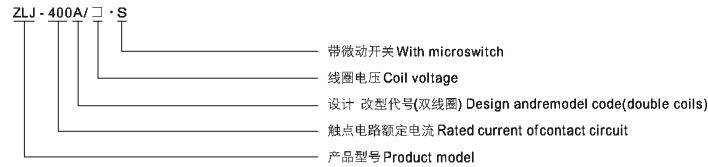
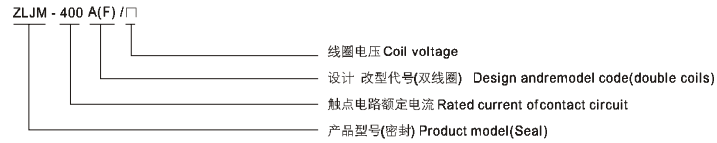
DONGYA ELECTRONIC



ZLJ-400A/ ZLJM-400A(F)

Series contactors
系列接触器

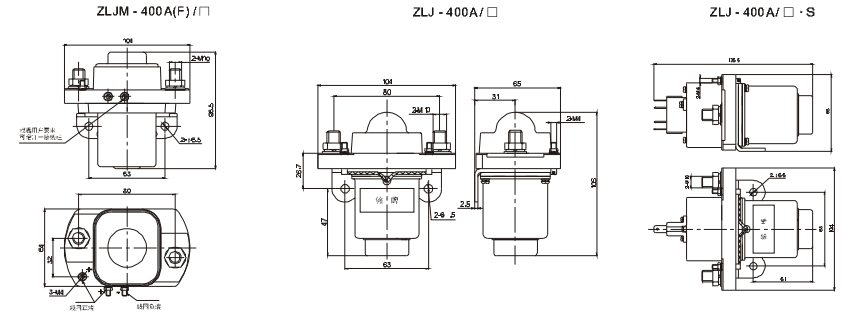
1 产品型号含义 Nomination(nomogram)



2 使用条件 Use conditions required

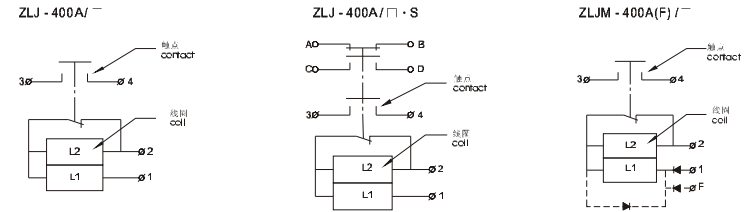
环境温度 Ambient temperature: -25~+40°C
 相对湿度 Relative humidity: +20°C达98%(upto 98% at +20°C)
 固定处的振动频率 Vibration freq. at the fixed position:
 3g, 1~50Hz 振幅 0.5mm
 3g, 1~50Hz ampl 0.5mm
 安装方向 Mounting directions: 任意 Optional

3 外形安装图 Configurational mounting diagram



4 线路原理图 Circuit diagram

L1:启动绕组 Start winding; L2:保持绕组 Hold winding; 3 4:触点接线端(3, 4: contact terminal) 1, 2为线圈接线端(1, 2 coil terminal)
 A, B, C, D为微动开关接线端(A, B, C, D aux.contact terminal)
 电路图中二极管是根据客户要求增加, 增加二极管后产品型号为ZLJM-400F/
 Diode is added in the diagram according to the requirement of customers. The product model is ZLJM-400F/ after adding diode.



5 简要技术参数 Basic technical data

编号 NO.	参数名称 Parameters	产品代号 Product code			
		ZLJ-400A	ZLJ-400S	ZLJM-400A	ZLJM-400F系列 series
1	线圈额定电压 Rated coil volt(VDC)	12, 24, 30, 48, 60, 72, 120等(etc)			
2	线圈功耗 Coil Power dissipation(W)	4-10			
3	20°C冷态启动线圈最大电流 Max. coil start current in cold state at 20°C(A)	5			
4	触点电路额定电压 Rated volt of contact circuit(V DC)	48			
5	触点电路额定负载电流 Rated load current of contact circuit(A)	400A			
6	(20±5)°C下, 冷态动作电压(V) Operating volt in cold state at (20±5)°C	吸合 Pick-up 释放 Release	不大于线圈额定电压的70% Not above 70% of rated coil volt 线圈额定电压的(5~30)% (5~30)% of rated coil volt		
7	100A负载下主触点接触电压降 Contact volt drop of main contact at 100A	不大于80mV not above 80mV			
8	额定电压下最大动作时间(ms)(线圈不带抑制电路) Max. operating time at rated volt(ms) (Coil with no suppression circuit)	40			
9	抗电强度 Puncture(volt) strength	50Hz 1000V AC 1min			
10	电寿命(τ=0.001s)(次) Electric life(τ=0.001s)(cycles)	50,000 Ops.			
11	机械寿命 Mechanical life	10万次 100,000 Ops.			
12	工作规范 Working duty	连续 Continuous			