

Optical LC Loopback assemblies offer a rugged and compact test solution

Molex's family of LC Loopback assemblies provides a stable and convenient means for testing optical SFP (Small Form-factor Pluggable) and SFF (Small Form Factor) devices in numerous applications. The rugged and compact design of the Loopback assembly incorporates a contoured grip/handle which allows for easy installation and removal. A durable thumb latch and a compact size allows for installation in ganged and belly-to-belly applications with no interference. Molex Loopback assemblies are available in singlemode, multimode 50/125µm and multimode 62.5/125µm fiber sizes.

Loopback assemblies are only sold as assemblies.

Features and Benefits

- Protected fiber loop prevents damage to fiber during use and handling between uses
- Contoured housing / handle provides a secure handle for easy insertion and removal of the assembly
- Available with singlemode or multimode fiber which provides a solution for equipment used with any type of fiber installed
- Compact size easily works in individual, ganged or belly-to-belly applications without interference
- Shorter than a standard LC connector to allow for ample panel-to-door clearance
- Attenuated versions are available allowing use with higher power transceivers to eliminate detector saturation or simulate a longer fiber path (network testing)



LC Loopback assemblies do not have fiber coming out from the back. The fiber is looped inside the connector housing.

SPECIFICATIONS

Reference Information

Packaging: Bag
Mates With: LC Adapter or Transceiver
Designed In: Inches

Optical

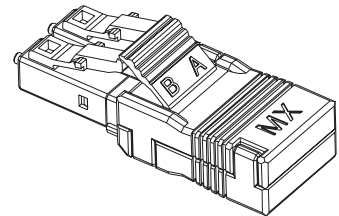
Insertion Loss (IL):
Multimode 50/125µm <2.0dB
Multimode 62.5/125µm <2.0dB
Singlemode <2.0dB

Mechanical

Mating Durability: IL<0.2dB over 200 cycles

Physical

Housing: Polymer
Ferrule: Zirconia Ceramic
Operating Temperature: -40 to +75° C

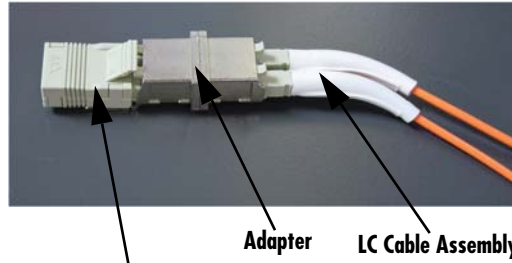


APPLICATIONS

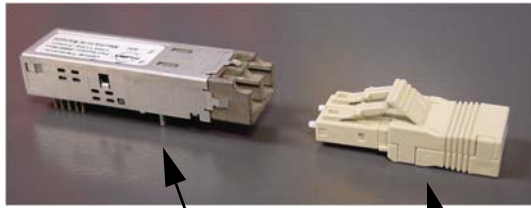
- Telecommunication
 - High speed device testing
 - Server testing
 - Router testing
- Storage
 - ATM testing
 - Fibre Channel testing
 - Gigabit Ethernet testing
- Other Markets
 - Device burn-in
 - Lab testing
 - System troubleshooting

molex® LC Loopback Assemblies

86052



LC Loopback Assembly



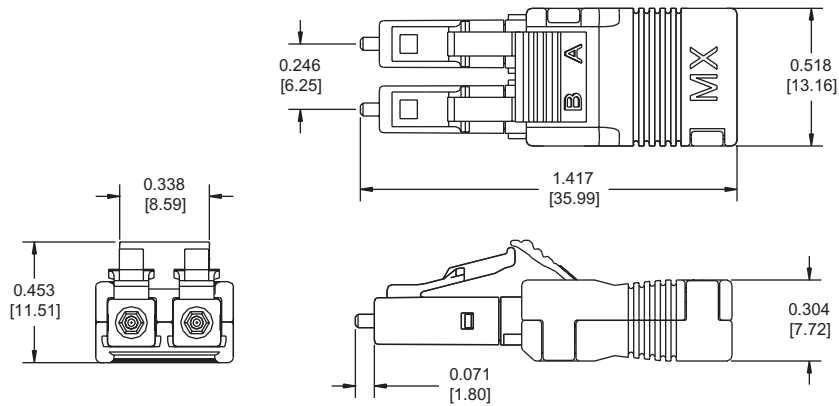
SFF Module (not mounted)

LC Loopback Assembly



SFF Module with Loopback (Mated)

SALES DRAWING



ORDERING INFORMATION

Order No.	Description	Color
86052-0010	LC Loopback Assembly, Multimode 50/125µm Fiber	Beige
86052-0040	LC Loopback Assembly, Multimode 62.5/125µm Fiber	Beige
86052-0030	LC Loopback Assembly, Singlemode Fiber	Blue

Americas Headquarters
 Lisle, Illinois 60532 U.S.A.
 1-800-78MOLEX
 amerinfo@molex.com

Far East North Headquarters
 Yamato, Kanagawa, Japan
 81-462-65-2324
 feninfo@molex.com

Far East South Headquarters
 Jurong, Singapore
 65-6-268-6868
 fesinfo@molex.com

European Headquarters
 Munich, Germany
 49-89-413092-0
 eurinfo@molex.com

Corporate Headquarters
 2222 Wellington Ct.
 Lisle, IL 60532 U.S.A.
 630-969-4550
 Fax: 630-969-1352

Visit our Web site at www.molex.com/fiber/lcloopback.html