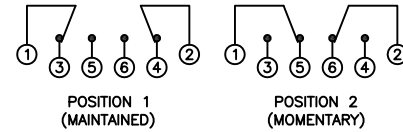


SCHEMATIC



SPECIFICATIONS

FUNCTION:
2P2T ON-(ON)

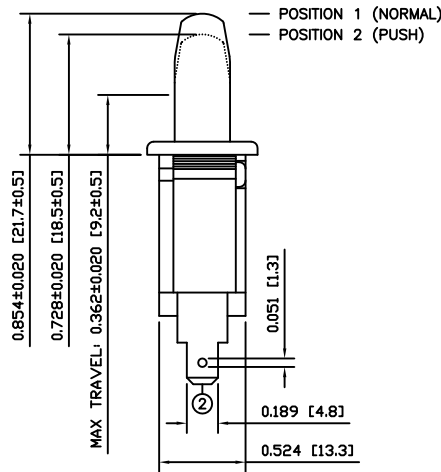
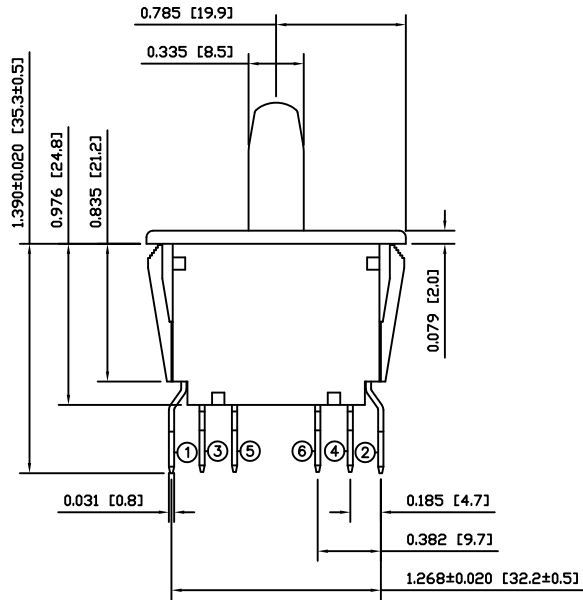
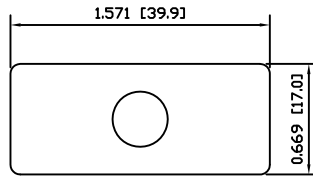
RATING:
ANSI/UL 1054 and CAN/CSA C22.2 No.55 (E194579):
16A 125VAC [cURus]
12A 250VAC [cURus]
1HP 125/250VAC [cURus]

CONTACT RESISTANCE:
Initial: 50mΩ Max.

TEMPERATURE:
Operating: 0°C to 85°C [cURus]

ELECTRICAL LIFE:
6,000 Cycles [cURus]

APPROVALS:



COLORS

BODY:
White

ACTUATOR:
White

MATERIALS

BODY:
Polyamide 6/6 (PA66)

ACTUATOR:
Polyamide 6/6 (PA66)

SPRING POLE:
Polyamide 6/6 (PA66)

SPRING:
Steel (65Mn)

HOOK SPRING:
Stainless Steel (1Cr13)

MOBILE CONTACT:
Silver Alloy (AgNi10)

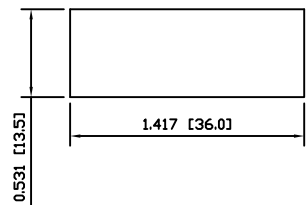
STATIONARY CONTACT:
Silver Alloy Clad Copper (AgNi10/Cu)

MOBILE CONTACT ARM:
Silver Plated Bronze (QSn6.5-0.1)

TERMINALS:
Silver Plated Brass (H62)

ACTUATION LEVER:
Brass (H62)

SUGGESTED PANEL CUTOUT



ACTUATOR	A	09/10/26	CAB
BODY	A	09/10/26	CAB
COLORS	A	09/10/26	CAB
MATERIALS	A	09/10/26	CAB
SPECIFICATIONS	B	09/12/09	CAB
REFERENCE	REV.	DATE	BY

THE INFORMATION CONTAINED IN THIS DOCUMENT IS PROPRIETARY TO E-SWITCH AND IS NOT TO BE COPIED OR TRANSFERRED

B	CORRECTED SPECIFICATIONS	PCRD0243	09/12/09	CAB
A	INITIAL RELEASE	PCRD0195	09/11/05	CAB
REV.	DESCRIPTION	PCR	DATE	DRAWN BY

DIMENSIONS	
INCHES [MILLIMETERS]	
GENERAL TOLERANCES	
±0.008 [±0.2] / ±1'	
SCALE	PROJECTION
DRAWING NOT TO SCALE	1st Angle

PP2-1H7-2A2		
DRAWING NUMBER	DATE	REVISION
34-PP21H72A2	DECEMBER 9, 2009	B