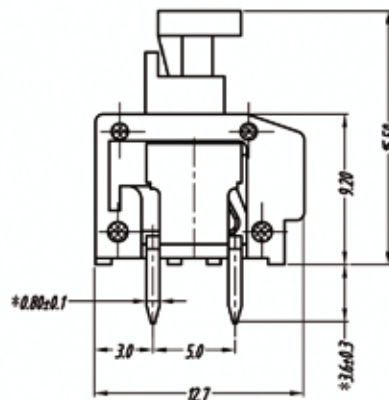
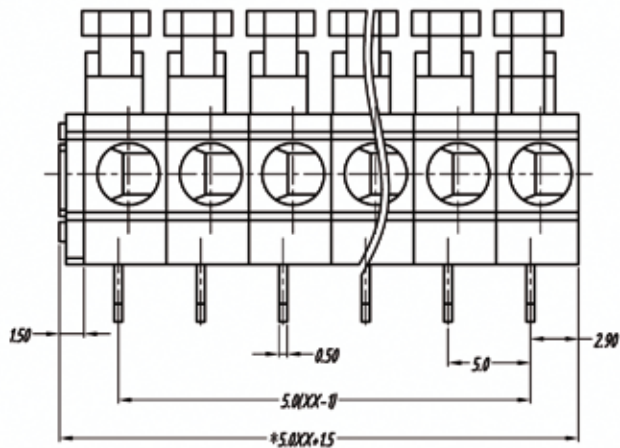
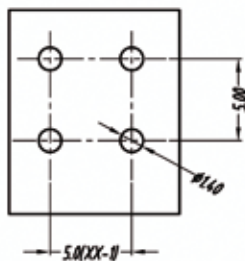


# euro-block

product specification



P.C.B.LAYOUT



TOLERANCES EXCEPT AS NOTED

| variable range | linear dimension |              |                |                 | fillet | chamfer     | short angle sid |               |                 |     | ≡   | -   | □   | //    | ⊥    |      |     |
|----------------|------------------|--------------|----------------|-----------------|--------|-------------|-----------------|---------------|-----------------|-----|-----|-----|-----|-------|------|------|-----|
|                | to 6             | over 6 to 30 | over 30 to 120 | over 120 to 480 | all    | over 6 to 6 | over 10 to 10   | over 50 to 50 | over 120 to 120 |     |     |     |     |       |      |      |     |
| tolerance      | ±0.1             | ±0.2         | ±0.3           | ±0.5            | ±0.9   | ±0.2        | ±0.5            | ±1            | 1'              | 30' | 20' | 10' | 0.5 | 0.025 | 0.06 | 0.12 | 0.4 |

## Electrical

Standard: UL-IEC  
 Rated voltage: 300V-250V  
 Rated current: 5A-10A  
 Wire range: 22-14AWG-1.5mm<sup>2</sup>  
 Withstanding voltage: AC2000V/1Min

## Mechanical

Temp.Range: -40°C~+105°C  
 Strip length: 10mm

## Dimensions

Pitch: 3.81mm (0.150"), 5.00mm (0.197")  
 7.50mm (0.295"), 10.00mm (0.394")  
 Poles: 1p-xxp

## Material

Housing: PA66, UL94V-0  
 Pin header: Brass, Since plate  
 Wire guard: stainless steel

| UNITS             | mm | SIZE | A4 | SCALE | FIRST ANGLE PROJECTION |               |
|-------------------|----|------|----|-------|------------------------|---------------|
| <b>euro-block</b> |    |      |    |       |                        |               |
|                   |    |      |    |       | NAME                   | <b>MRM3-P</b> |